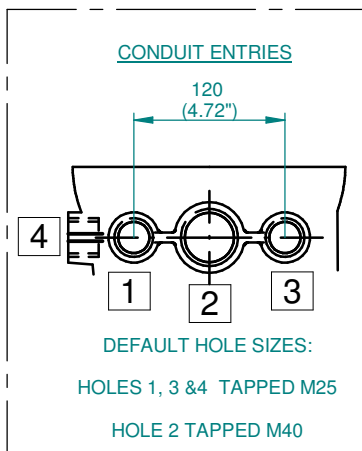
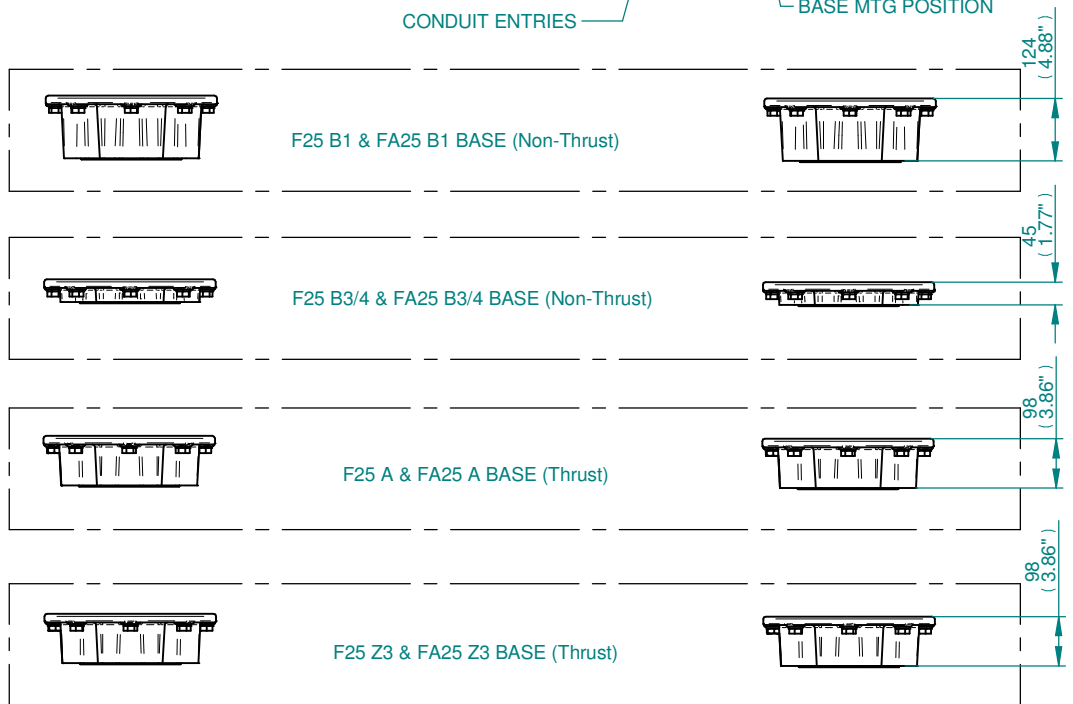
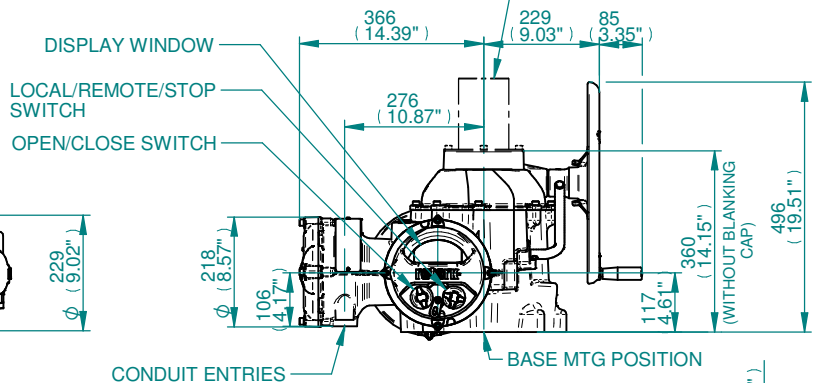
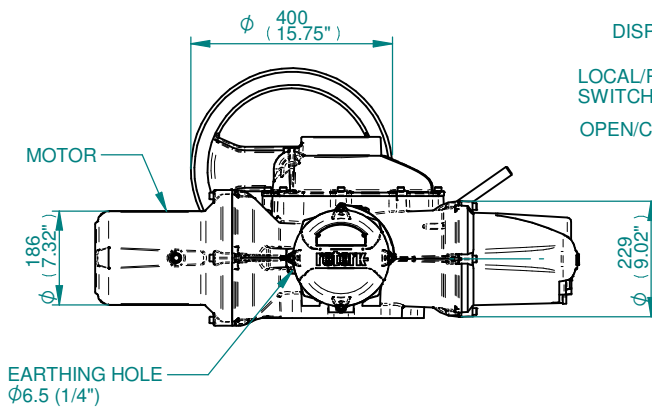
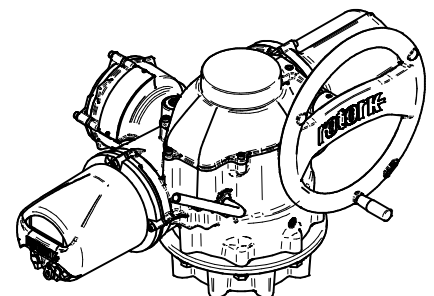
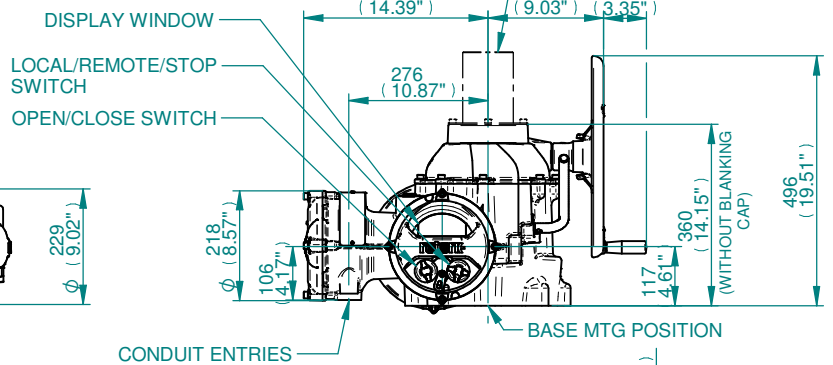
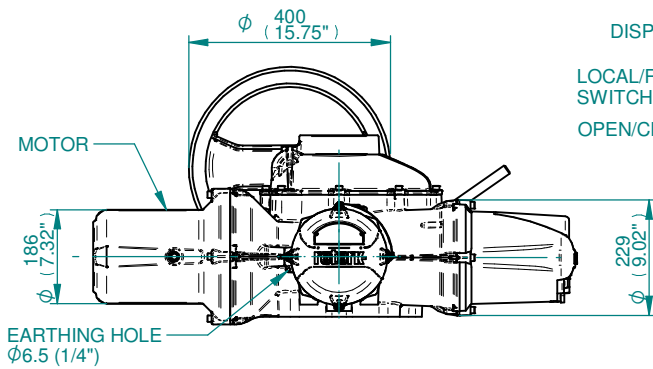
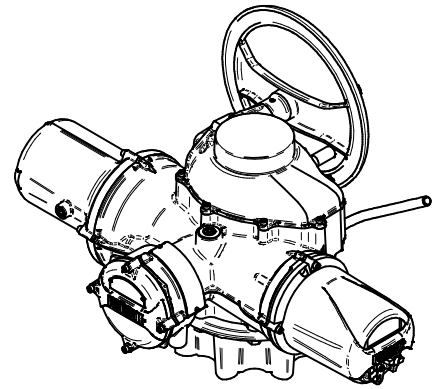
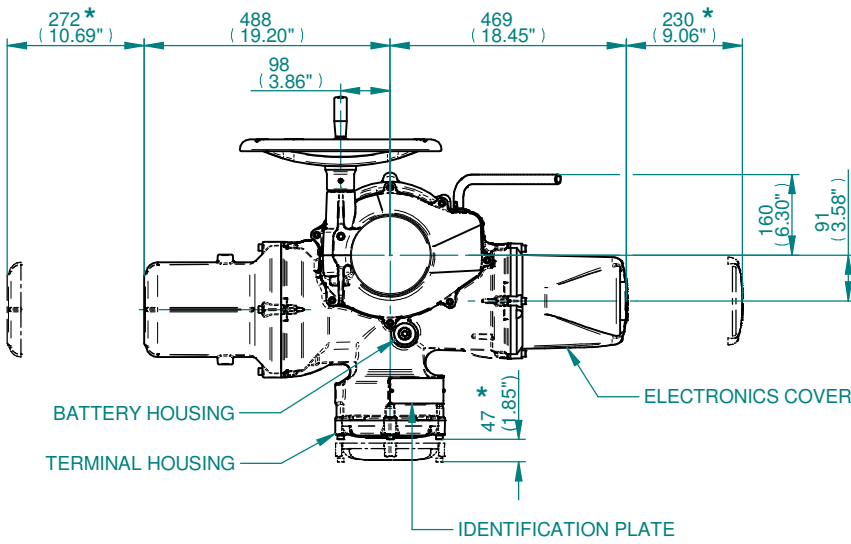


COVER TUBE SUPPLIED IN 150 (6") & 300 (12") LGTH'S THEN IN 300 (12") INCREMENTS UP TO 1500 (60") LG.

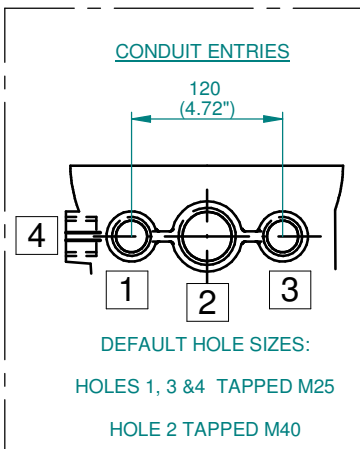
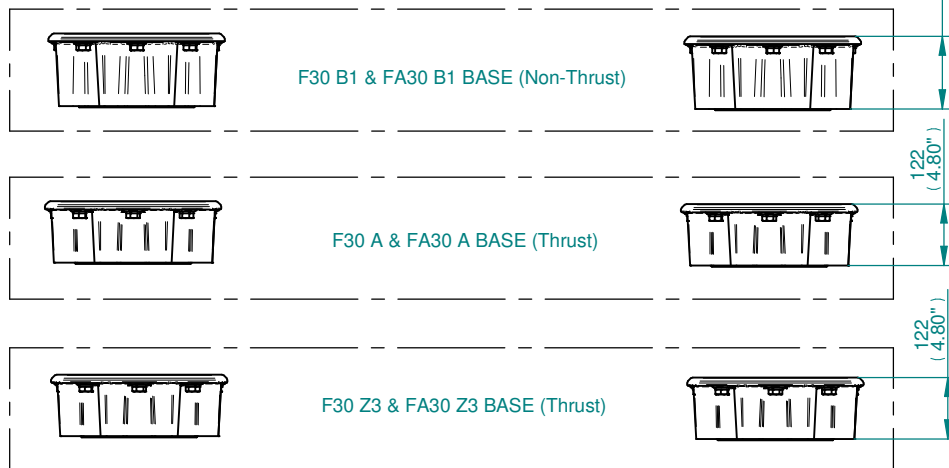


- NOTES**
- FOUR BASE OPTIONS ARE DETAILED TO SUIT THE RELEVANT COUPLING ARRANGEMENT.
 - THE REQUIRED BASE FOR THE SIDE & END VIEWS SHOULD BE LOADED TO MTG POSITION INDICATED.
 - ** REMOVAL ALLOWANCE REQUIRED.

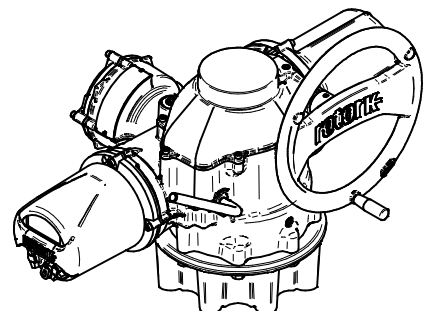


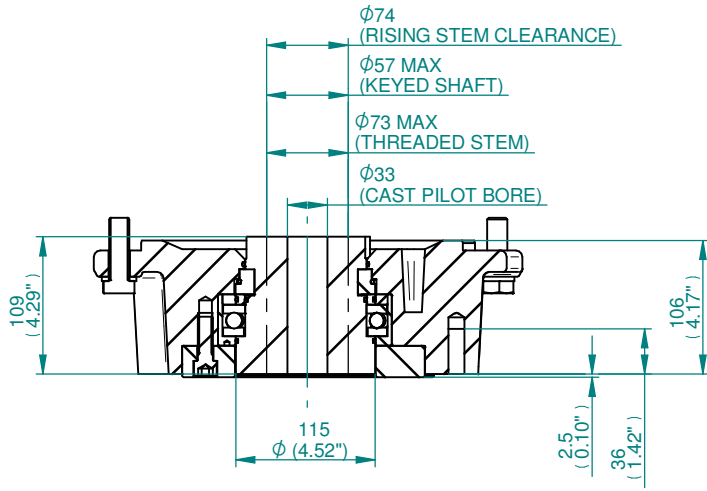


COVER TUBE SUPPLIED IN 150 (6") & 300 (12") LGTH'S THEN IN 300 (12") INCREMENTS UP TO 1500 (60") LG.

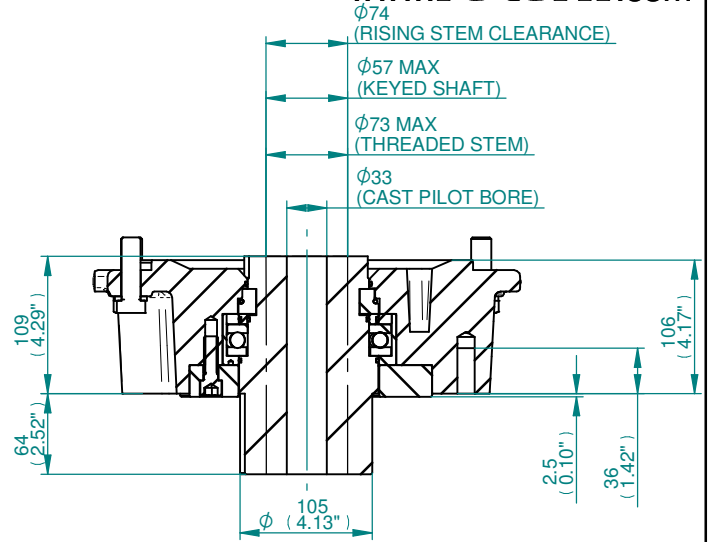


- NOTES**
- THREE BASE OPTIONS ARE DETAILED TO SUIT THE RELEVANT COUPLING ARRANGEMENT.
 - THE REQUIRED BASE FOR THE SIDE & END VIEWS SHOULD BE LOADED TO MTG POSITION INDICATED.
 - ** REMOVAL ALLOWANCE REQUIRED.



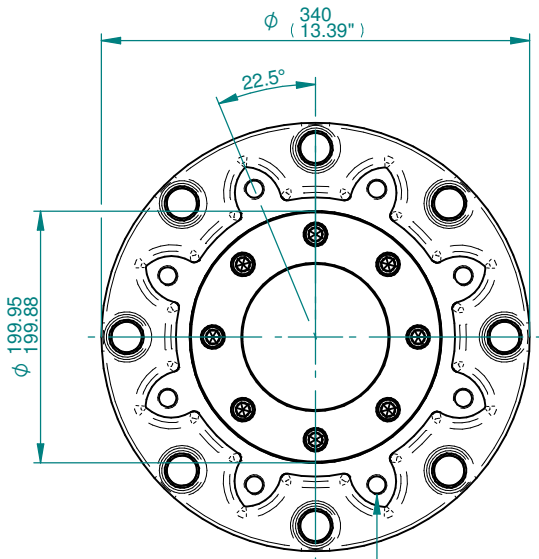


TYPICAL 'A' COUPLING DETAILS



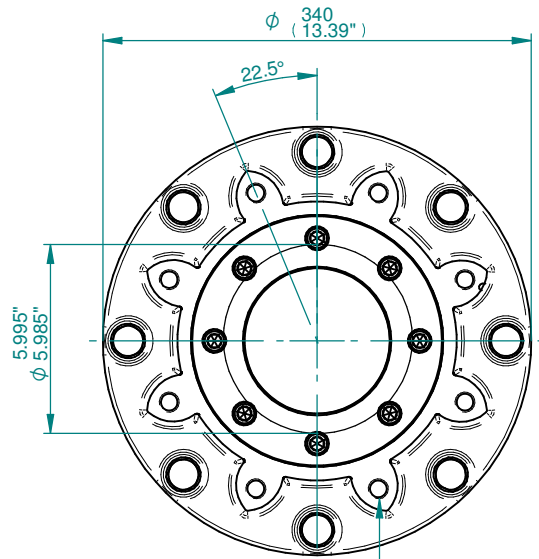
TYPICAL 'Z3' COUPLING DETAILS

NOTE : COUPLINGS WITHOUT PILOT BORE AVAILABLE IF SPECIFIED WITH ORDER.



8 HOLES M16x2px36 DEEP
EQUI-SPACED AS SHOWN
ON A 254 PCD (ISO 5210-F25)

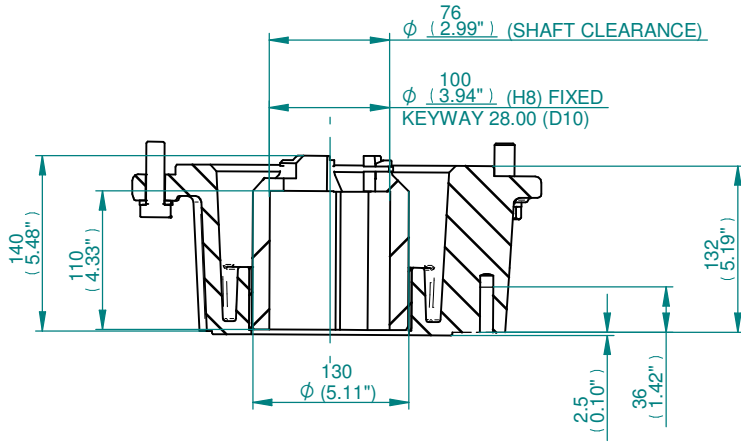
F25 BASE DETAIL
FOR 'A' & 'Z3' COUPLINGS



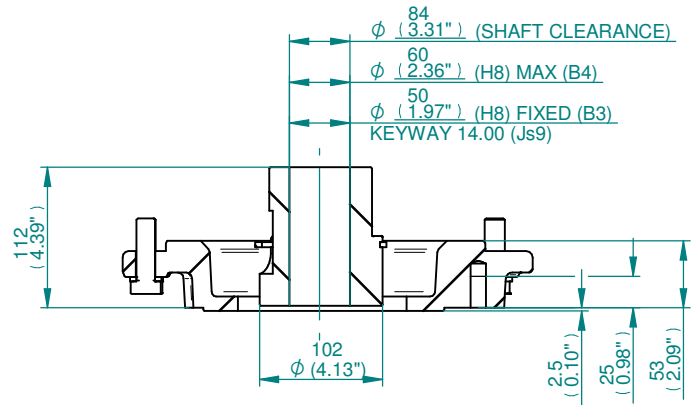
8 HOLES 5/8" UNC 1.42"
EQUI-SPACED AS SHOWN
ON A 10" PCD (MSS SP102-FA25)

FA25 BASE DETAIL
FOR 'A' & 'Z3' COUPLING

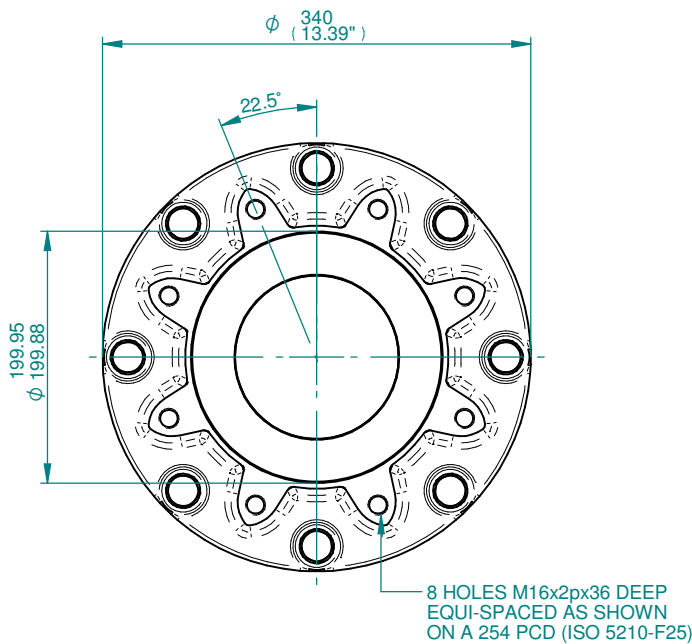
IQ3 SIZE 40 THRUST BASES



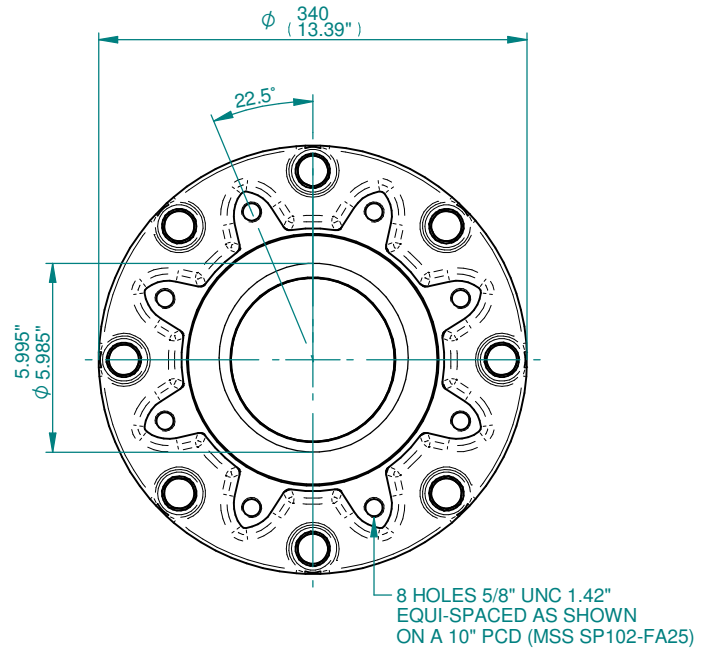
TYPICAL 'B1' COUPLING DETAILS



TYPICAL 'B3/B4' COUPLING DETAIL

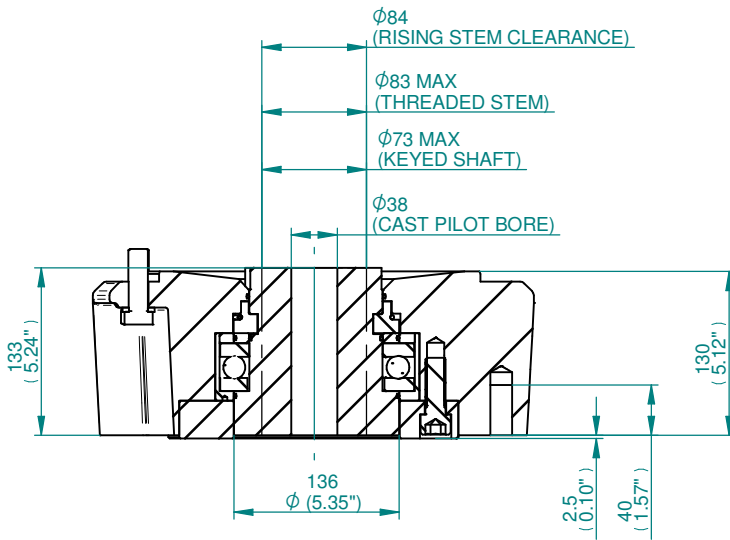


F25 BASE DETAILS FOR 'B1' & 'B3/B4' COUPLINGS

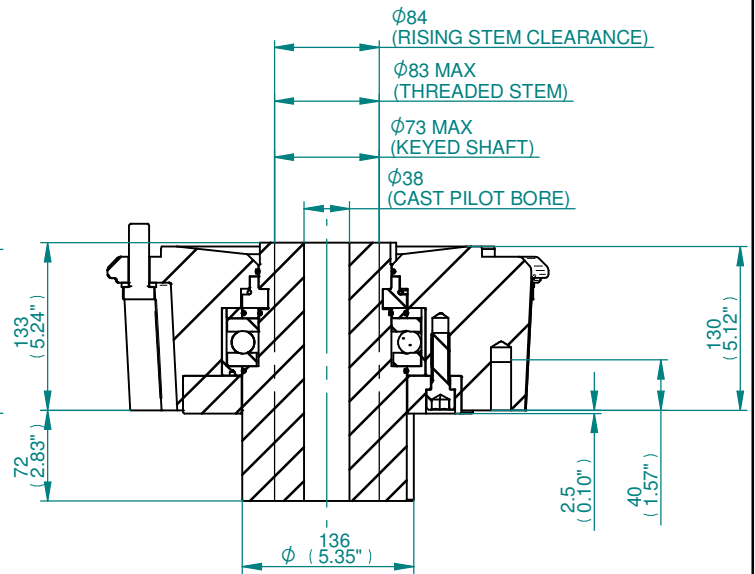


FA25 BASE DETAILS FOR 'B1' & 'B3/B4' COUPLINGS

IQ3 SIZE 40 NON-THRUST BASES

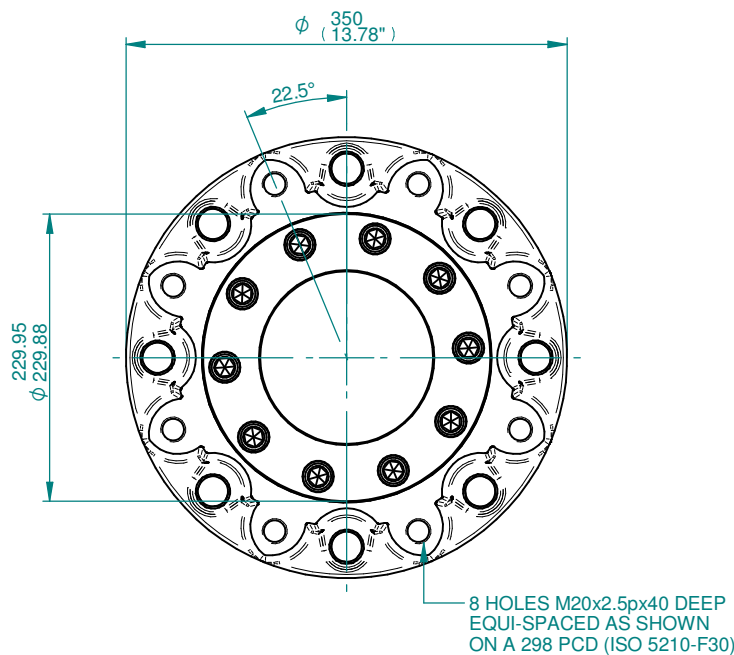


TYPICAL 'A' COUPLING DETAILS

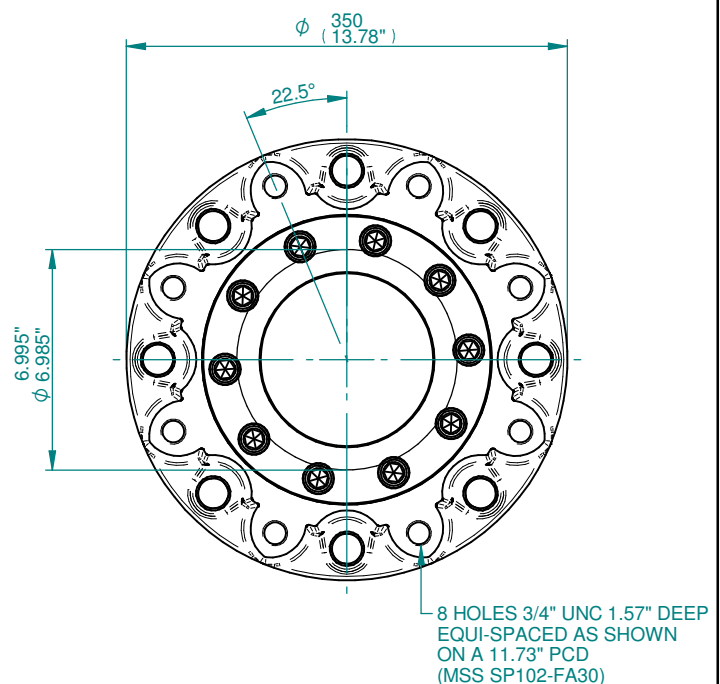


TYPICAL 'Z3' COUPLING DETAILS

NOTE : COUPLINGS WITHOUT PILOT BORE AVAILABLE IF SPECIFIED WITH ORDER.

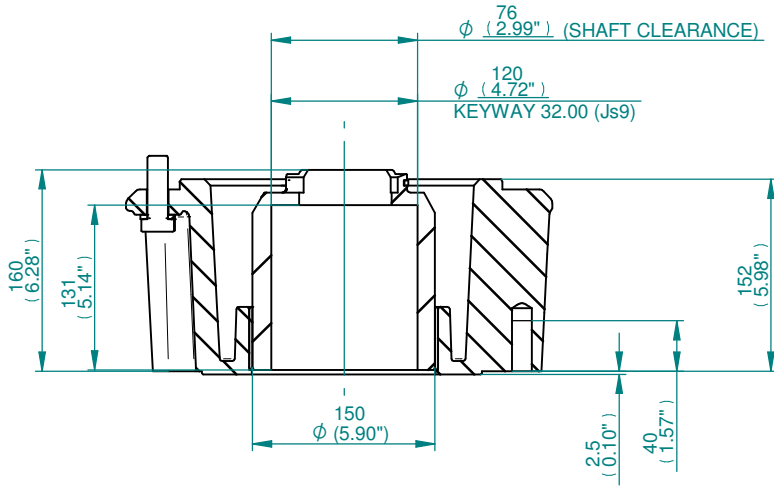


F30 BASE DETAILS FOR 'A' & 'Z3' COUPLINGS

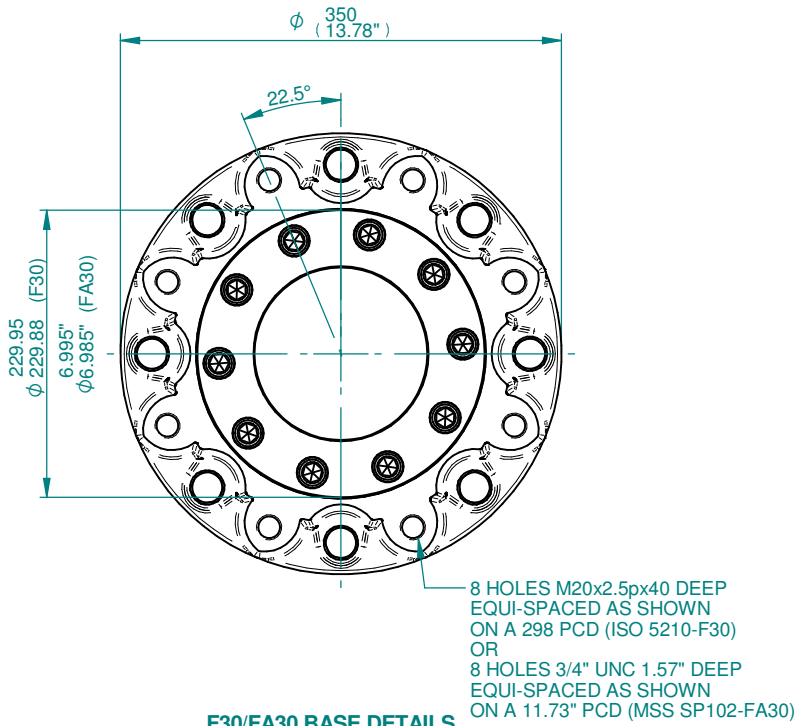


FA30 BASE DETAILS FOR 'A' & 'Z3' COUPLINGS

IQ3 SIZE 40 THRUST BASES



TYPICAL 'B1' COUPLING DETAILS



F30/FA30 BASE DETAILS FOR 'B1' COUPLINGS

IQ3 SIZE 40 NON-THRUST BASES