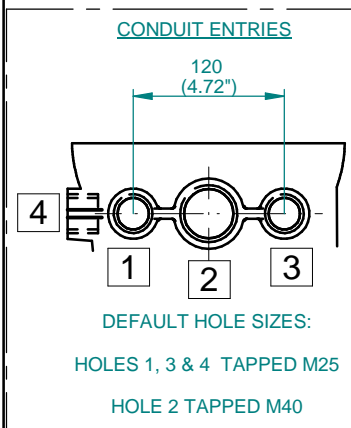
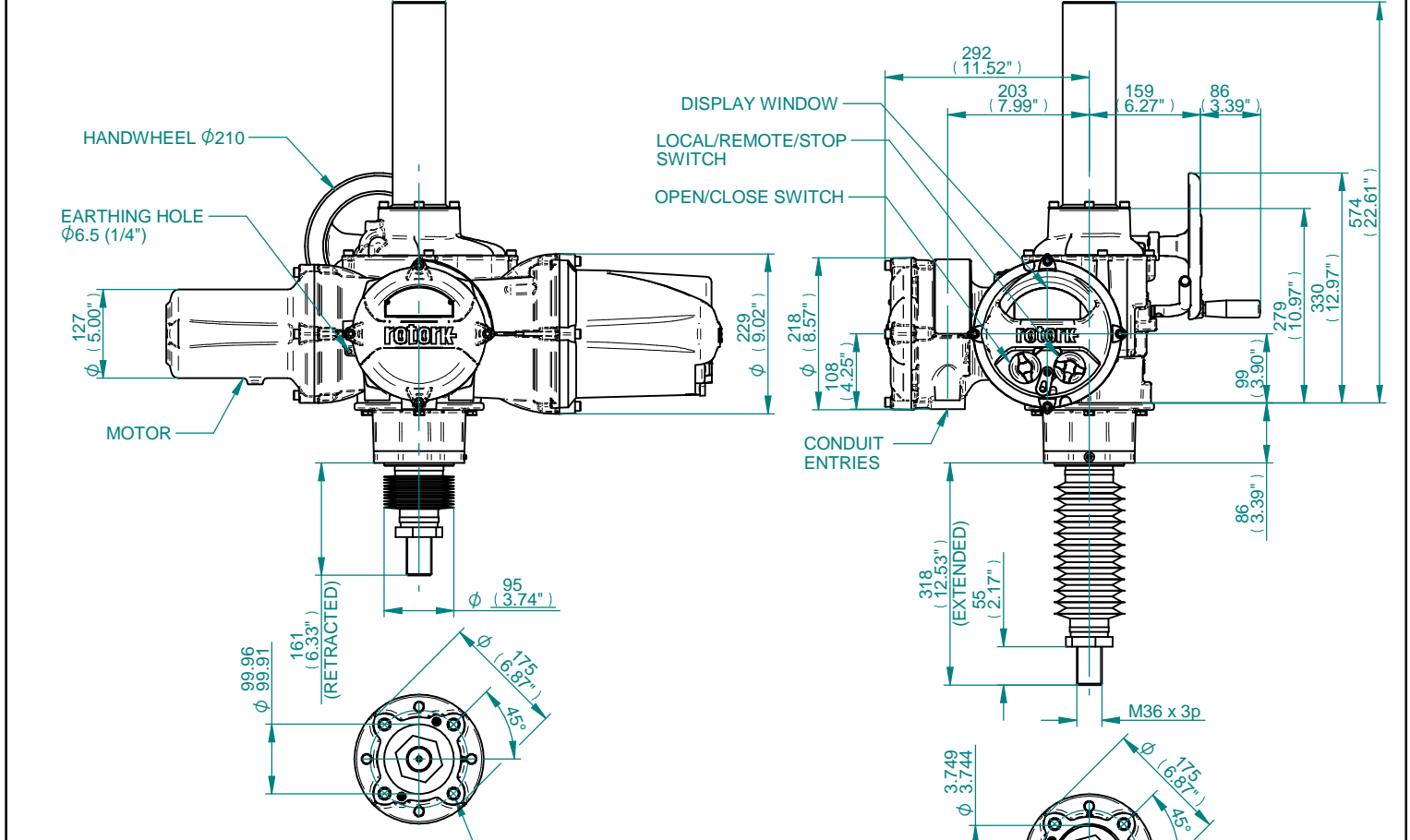
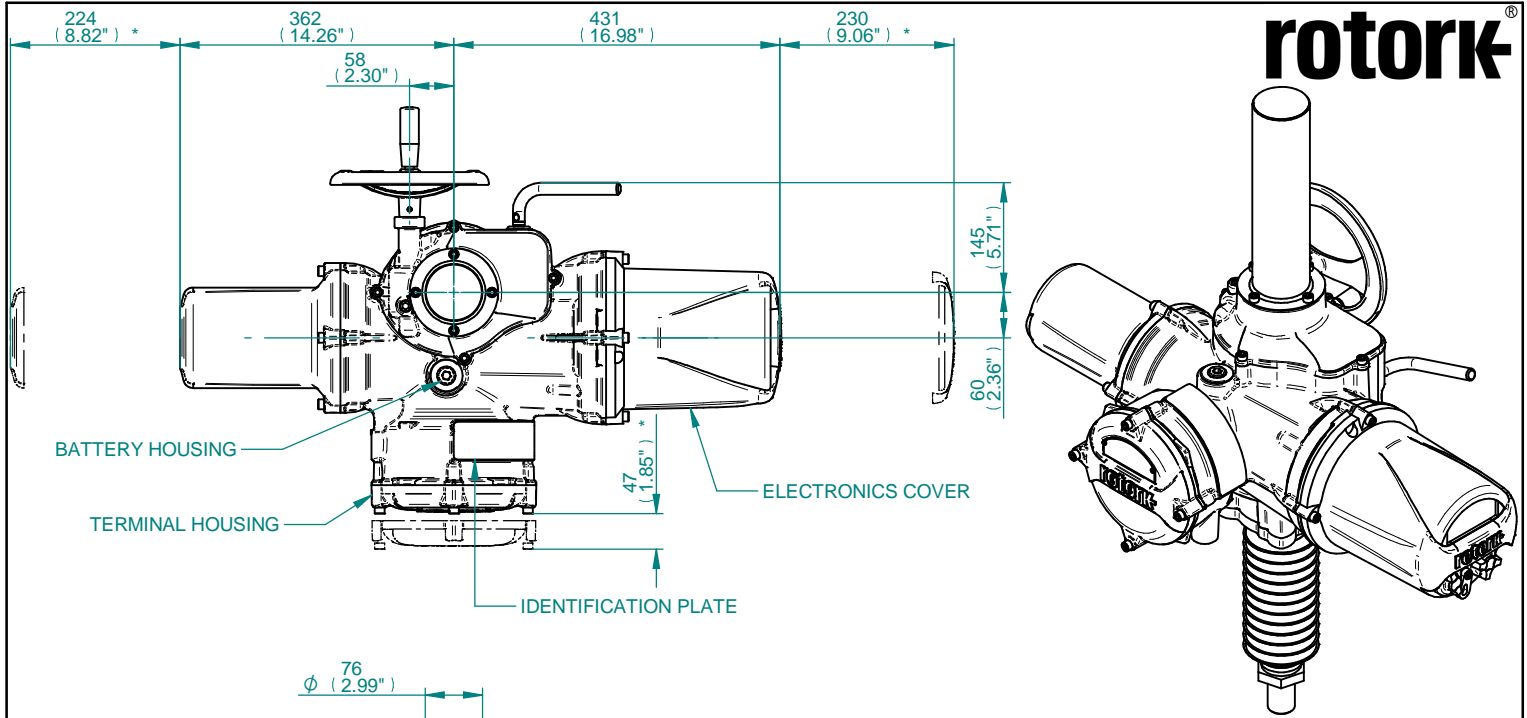
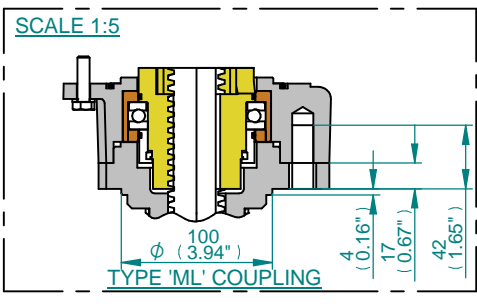


- NOTES
1. STANDARD 157mm STROKE SHOWN
 2. **1 REMOVAL ALLOWANCE REQUIRED



F14 BASE DETAILS
4 HOLES M16 x 2.0p EQUI-SPACED AS SHOWN ON A 140 PCD (ISO 5210 F14)



FA14 BASE DETAILS
4 HOLES 5/8" UNC EQUI-SPACED AS SHOWN ON A 5.5" PCD (MSS SP 102 FA14)

- NOTES
1. STANDARD 157mm STROKE SHOWN
2. *1* REMOVAL ALLOWANCE REQUIRED

Title		Date	A4	Doc Number	Ver No	Scale	Sheet No
DIMENSIONAL DATA SHEET FOR IQ3 MODULATING LINEAR (SIZE 20,25) SIDE HANDWHEEL		080720		IQ3-IQML2025	2	1:10	2 of 2