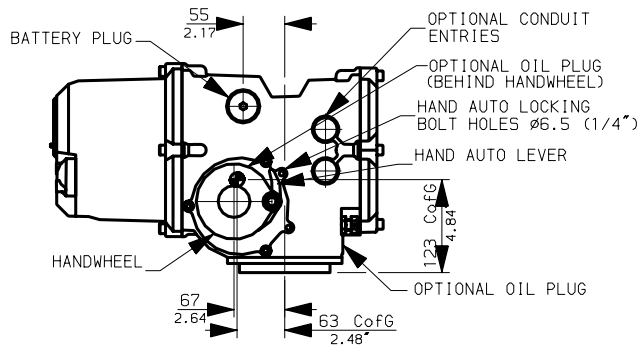
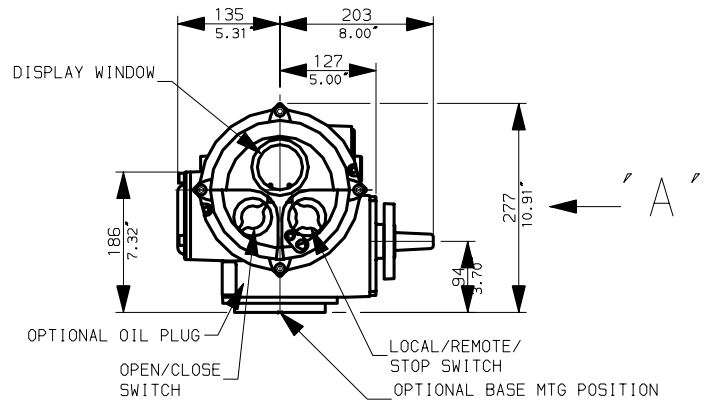
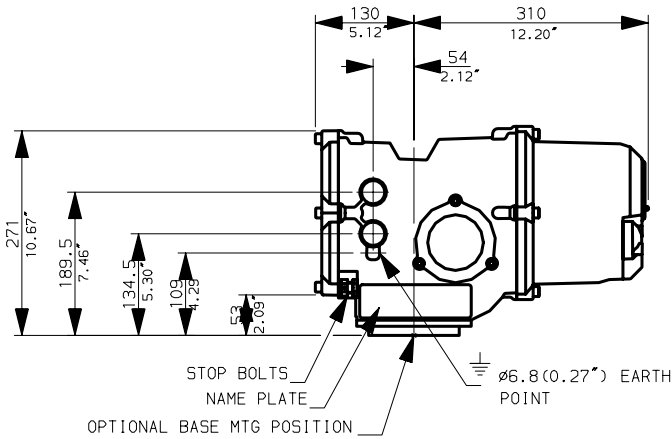
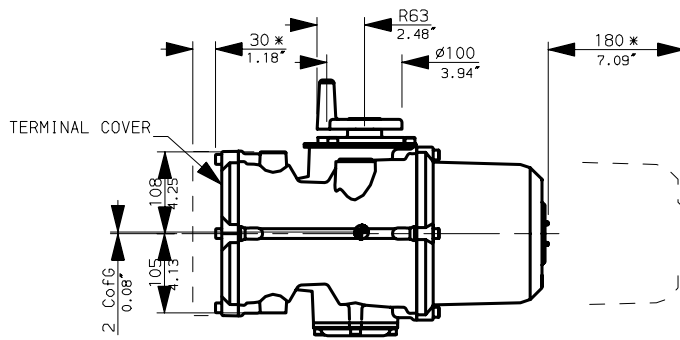


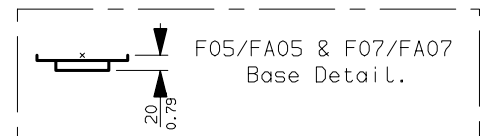
IQT125, 250 & 500 ACTUATORS



VIEW ON ARROW 'A'

NOTES:

- :REGISTERED DESIGN 000034863
- :F10/FA10 BASE OPTION IS DETAILED TO SUIT THE RELEVANT COUPLING ARRANGEMENTS. FOR OPTIONAL F05/FA05, F07/FA07 LOAD SYMBOL TO THE POSITIONS INDICATED.



CONDUIT ENTRIES



TAPPED 2xM25x1.5p
OPTIONAL ADAPTORS FOR
M20, 1/2", 3/4", 1" NPT, 1 1/4", 1 1/2",
PG16 & PG21).

rotork

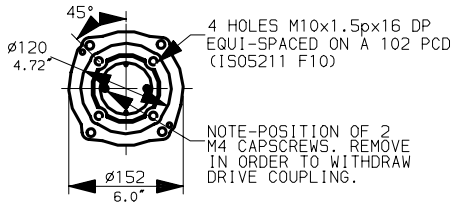
IQT125, 250, 500 DATA

Date 090804 Scale 1:10

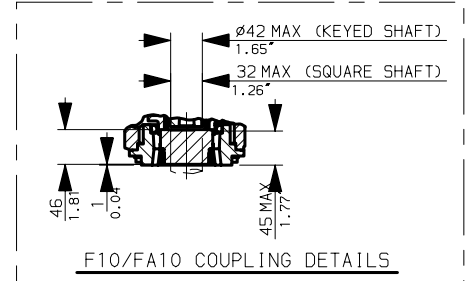
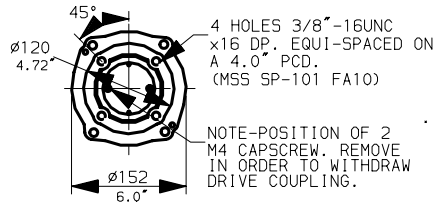
IQT125, 250 & 500 BASES

F10 / FA10 BASES

F10 BASE DETAILS

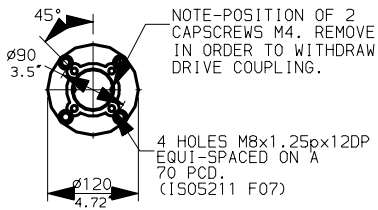


FA10 BASE DETAILS

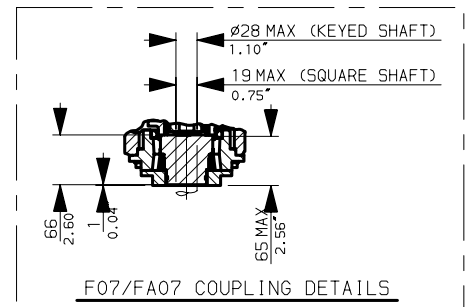
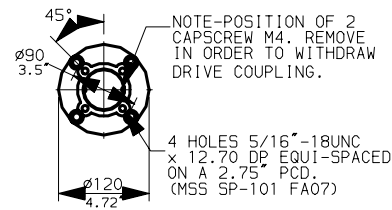


F07 / FA07 BASES

F07 BASE DETAILS

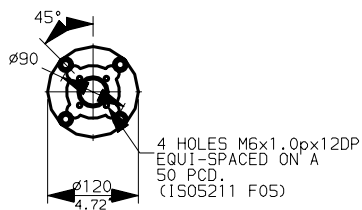


FA07 BASE DETAILS

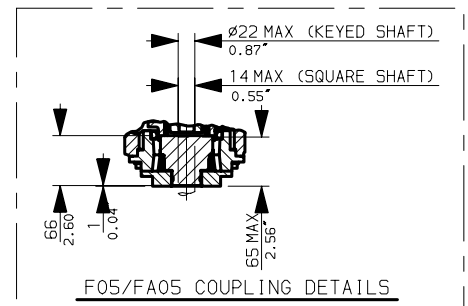
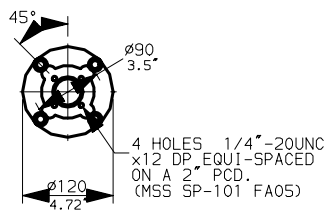


F05 / FA05 BASES

F05 BASE DETAILS



FA05 BASE DETAILS



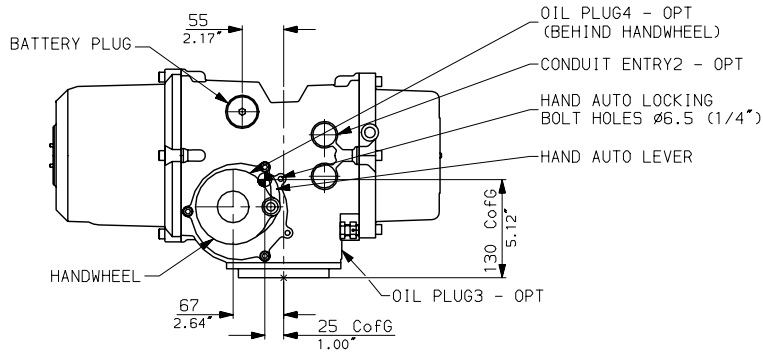
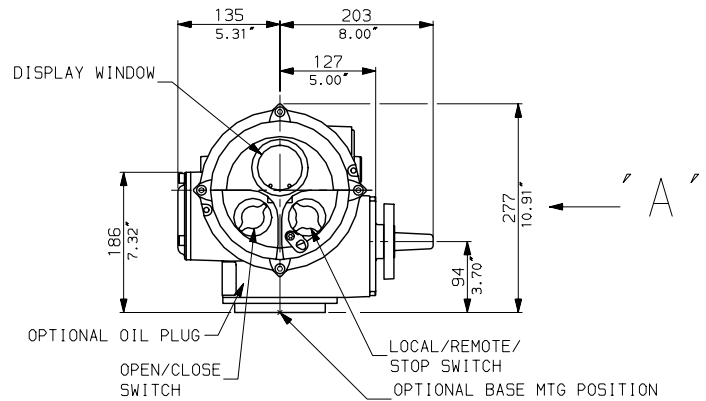
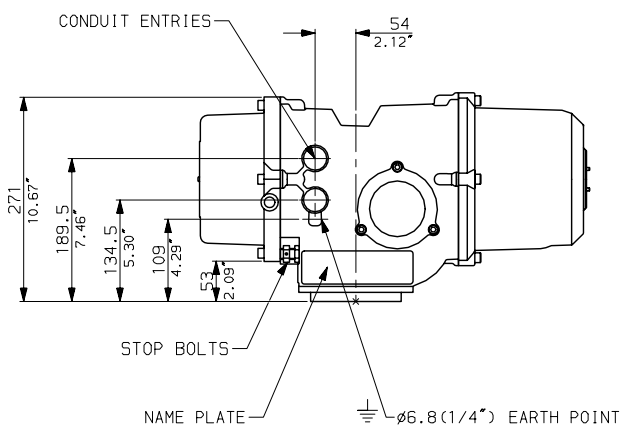
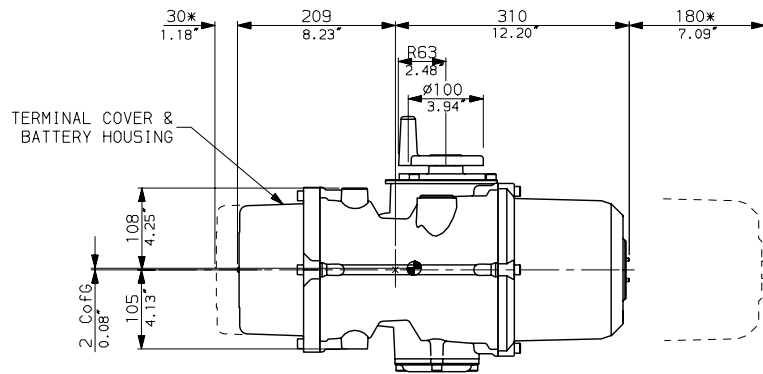
rotork

IQT125, 250, 500 BASES

Date 200803

Scale 1:10

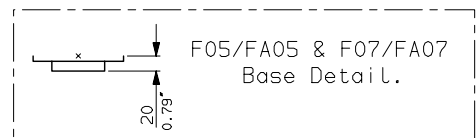
IQT125, 250 & 500 ACTUATORS WITH FAILSAFE OPTION



VIEW ON ARROW 'A'

NOTES:

- :REGISTERED DESIGN 000034863
- :F10/FA10 BASE OPTION IS DETAILED TO SUIT THE RELEVANT COUPLING ARRANGEMENTS.
- FOR OPTIONAL F05/FA05, F07/FA07 LOAD SYMBOL TO THE POSITIONS INDICATED.



CONDUIT ENTRIES



TAPPED 2xM25x1.5p
OPTIONAL ADAPTORS FOR
M20, 1/2", 3/4", 1" NPT, 1 1/4", 1 1/2",
PG16 & PG21).

rotork

IQT125, 250, 500 FS DATA

Date 111104 Scale 1:10