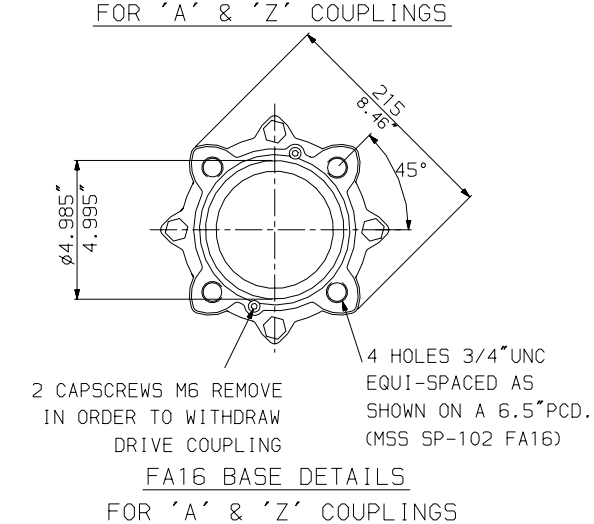
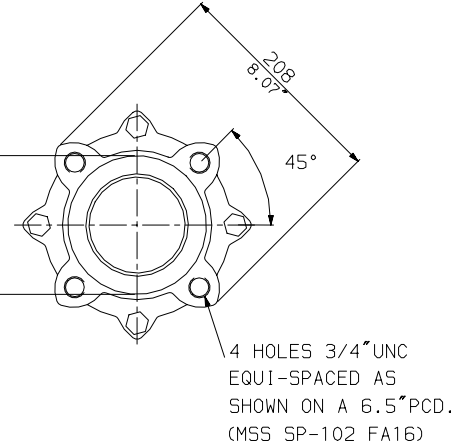
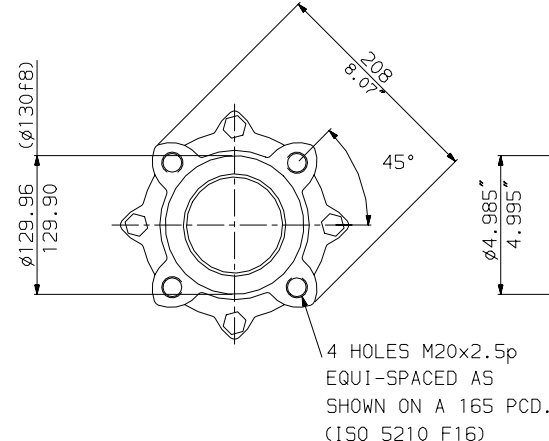
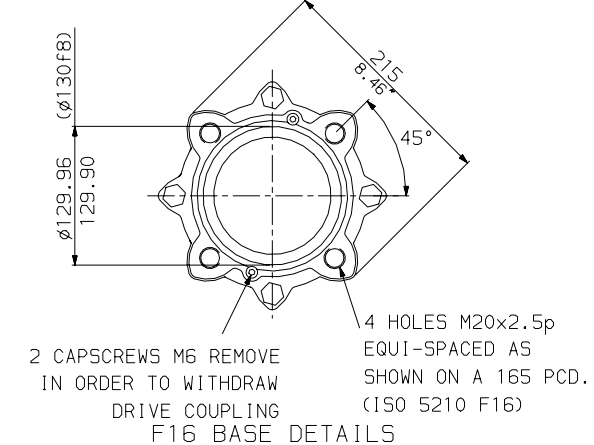
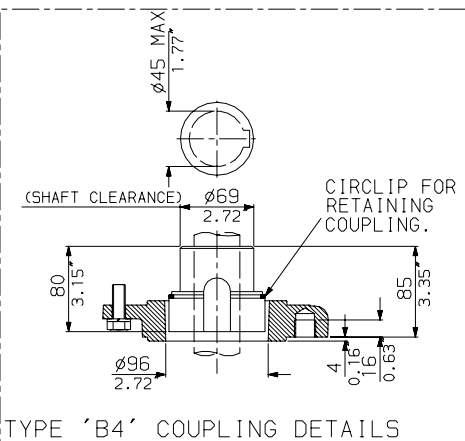
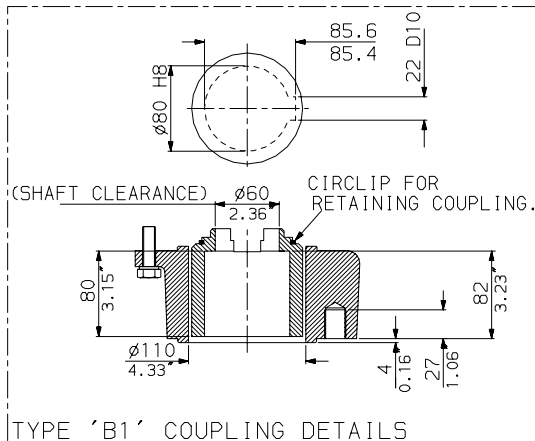
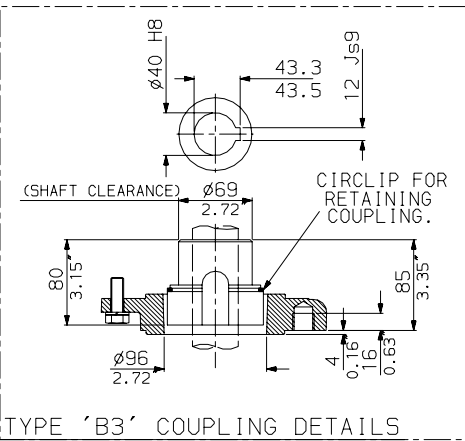
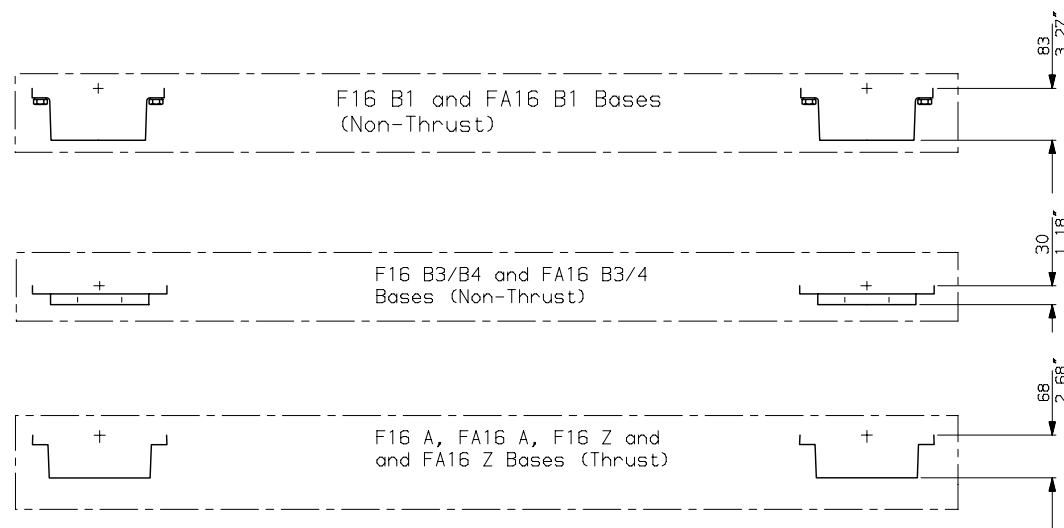
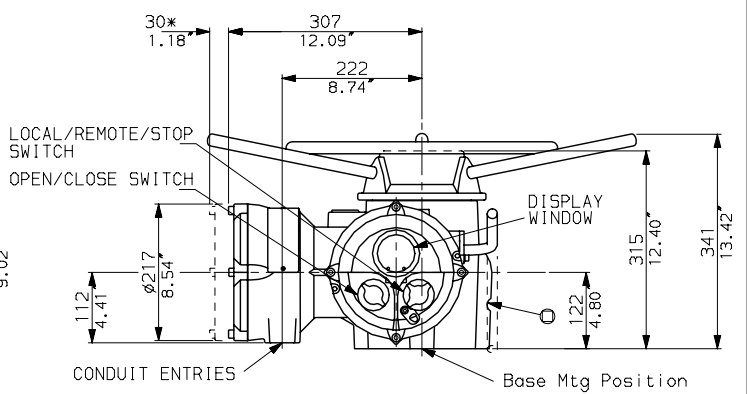
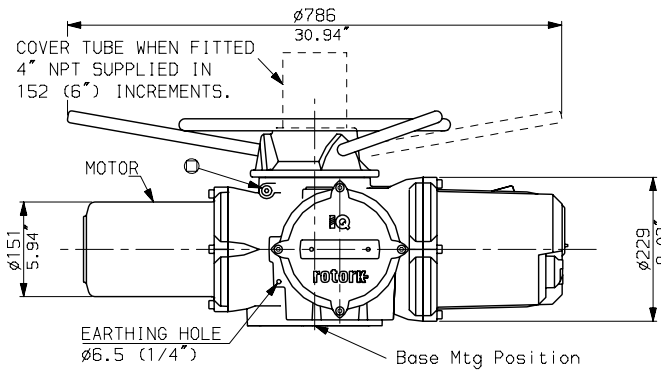
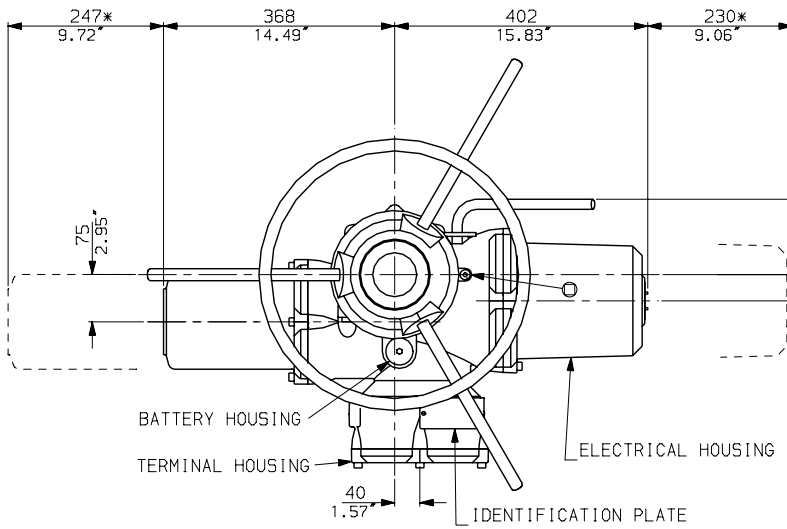


IQ35 THRUST BASES

IQ35 NON-THRUST BASES



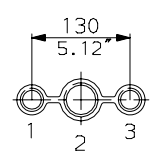
# IQ35 WITH STANDARD HANDWHEEL



### NOTES

Three BASE options are detailed to suit the relevant Coupling arrangement.  
 The required BASE for the SIDE & END views should be loaded to position indicated.

### CONDUIT ENTRIES



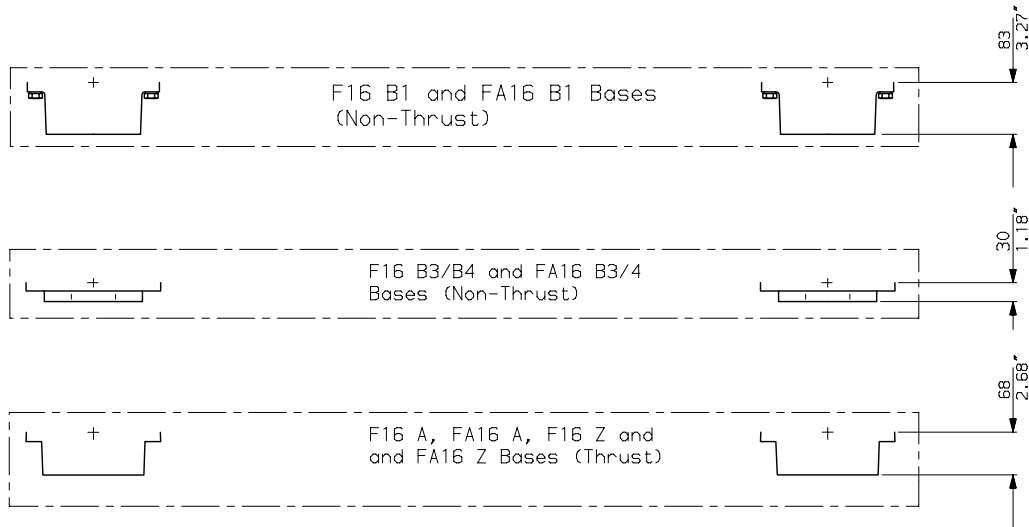
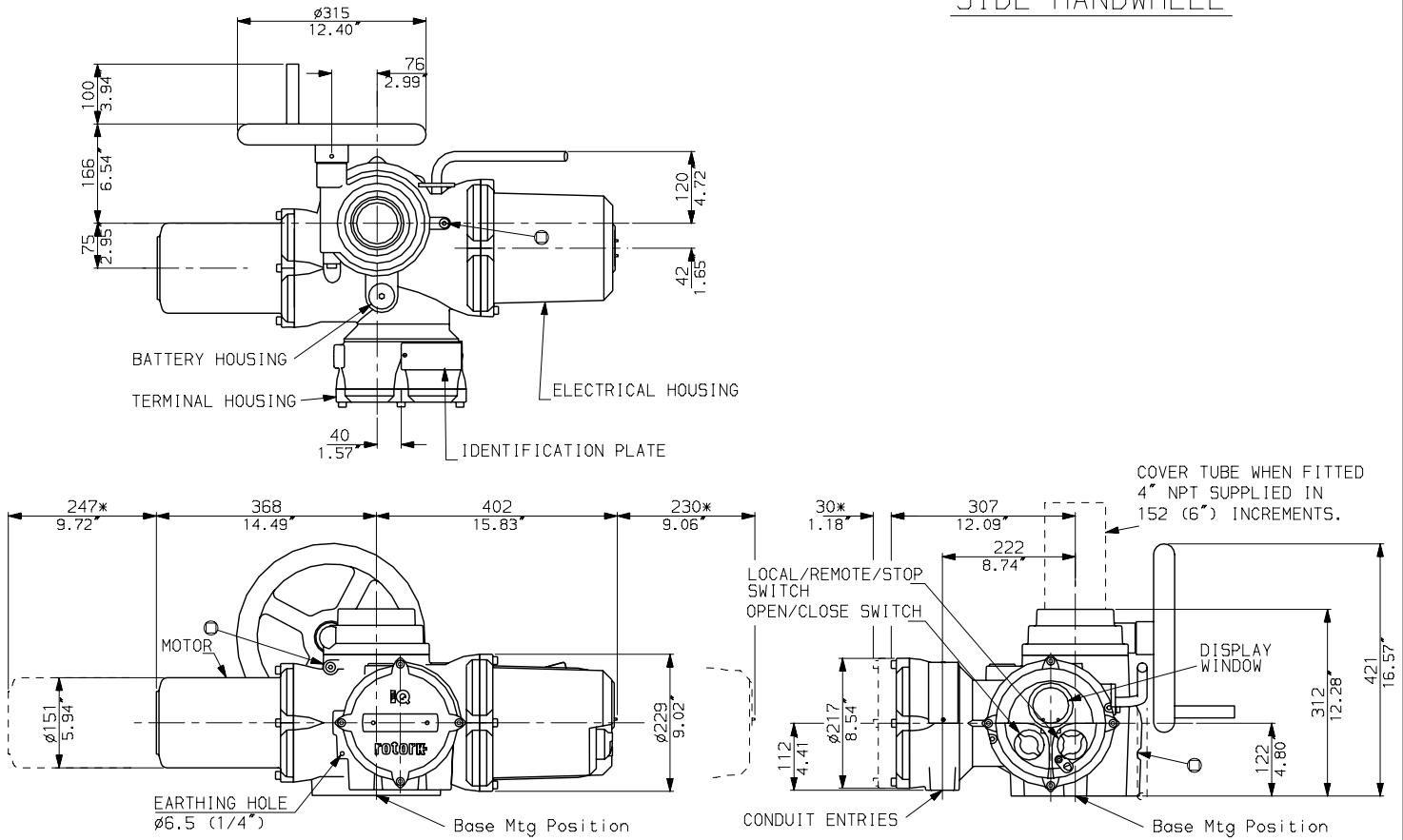
Nos.1 & 3 TAPPED 1" NPT  
 No.2 TAPPED 1 1/2" NPT  
 STANDARD ALTERNATIVES IF SPECIFIED  
 2 X M25, 1 X M40  
 2 X PG16, 1 X PG29

**rotork**

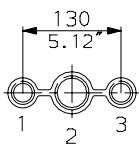
IQ35 (THW) DATA

Date 011205 Scale 1:12

# IQ35 WITH OPTIONAL SIDE HANDWHEEL



### CONDUIT ENTRIES



Nos.1 & 3 TAPPED 1" NPT  
 No.2 TAPPED 1 1/2" NPT  
 STANDARD ALTERNATIVES IF SPECIFIED  
 2 X M25, 1 X M40  
 2 X PG16, 1 X PG29

### NOTES

Three BASE options are detailed to suit the relevant Coupling arrangement. The required BASE for the SIDE & END views should be loaded to position indicated.

**rotork**

IQ35 (SHW) DATA

Date 011205 Scale 1:12