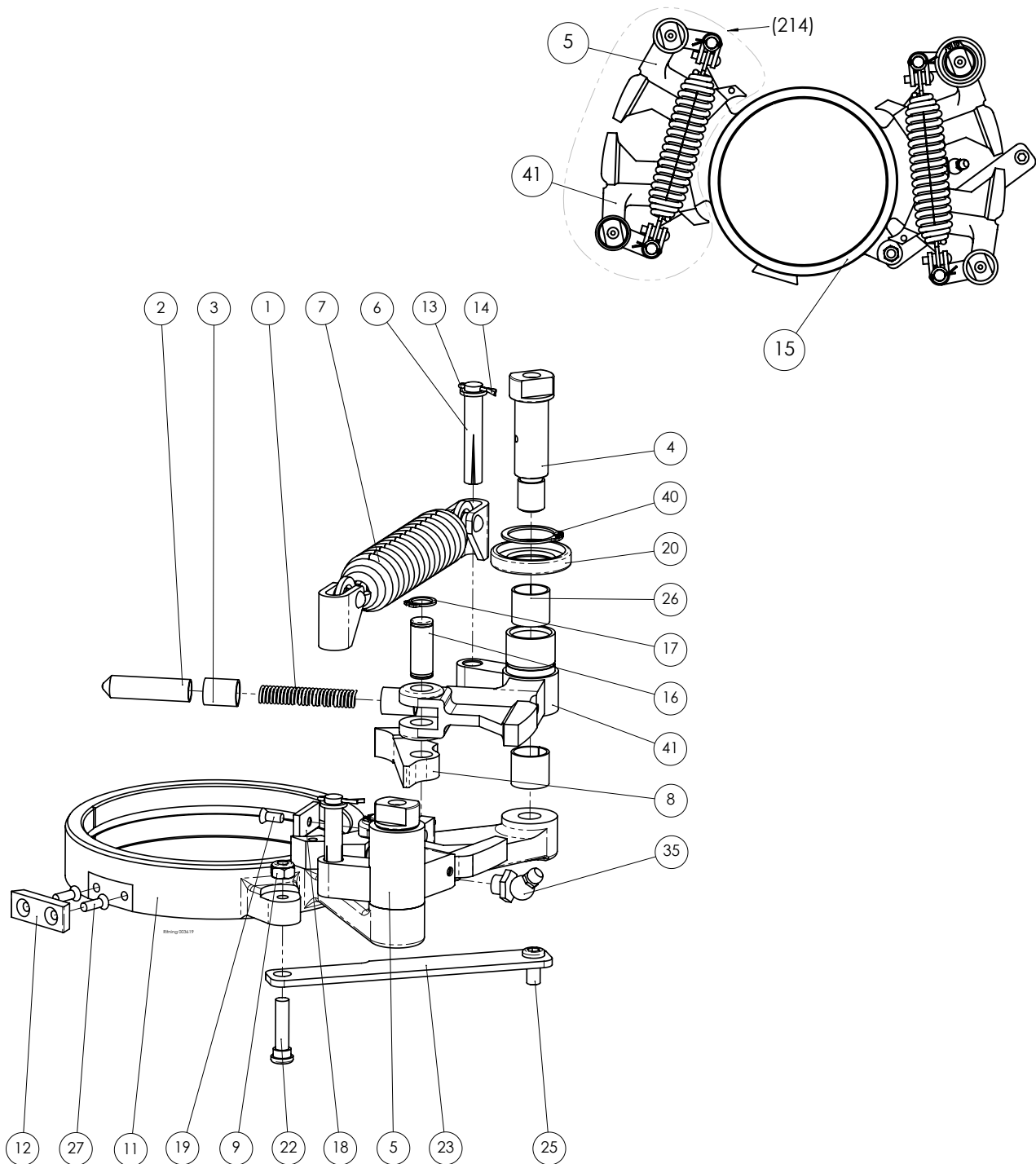




Twin Power®

Pneumatic multi-turn actuators for all types of valves

Spare part list 2:S1 - Console



KONSOL - CONSOLE - KONSOLE - CONSOLE
TWIN POWER TYPE 114 & 214

| Det. No. | Art. No. | Qty 114 | Qty 214 | Benämning | Denomination | Bezeichnung | Designation |
|----------|----------|---------|---------|-------------------------------|--------------------------------------|---------------------------------|-------------------------------------|
| 1 | 401084 | 2 | 4 | Spärrfjäder | Ratchet spring | Sperrfeder | Ressort de Rochet |
| 2 | 401085 | 2 | 4 | Hylsa | Case | Hülse | Douille |
| 3 | 401086 | 4 | 8 | Lager | Bearing | Lagerbuchse | Palier |
| 4 | 401275 | 2 | 4 | Axeltapp | Axle journal | Achsschenkel | Fusée |
| 5 | 402083 | 1 | 2 | Arm | Lever | Hebel | Bras |
| 6 | 402084 | 2 | 4 | Pinne | Pin | Stift | Goujon d'accrochage |
| 7 | 402096 | 1 | 2 | Dragfjäder kompl | Draw spring complete | Zugfeder komplett | Ressort de tirage |
| 8 | 402617 | 2 | 4 | Spärr | Ratchet | Sperre | Rochet |
| 9 | 401083 | 1 | 1 | Mutter | Screw nut | Mutter | Ecrou |
| 11 | 402097 | 1 | - | Konsol utan arm | Console without lever | Konsole ohne Hebel | Bâti sans bras |
| 12 | 402101 | 1 | 1 | Klack | Catch | Nase | Sabot d'arret |
| 13 | 401113 | 2 | 4 | Bricka | Washer | Unterlagscheibe | Rondelle |
| 14 | 401114 | 2 | 4 | Saxpinne | Split pin | Splint | Goupille fendue |
| 15 | 402099 | - | 1 | Konsol utan arm | Console without lever | Konsole ohne Hebel | Bâti sans bras |
| 16 | 402087 | 2 | 4 | Axel | Axle | Achse | Arbre |
| 17 | 401095 | 4 | 8 | Seeger-säkring | Seeger locking device | Seegerring | Clip de sûreté syst Seeger |
| 18 | 402102 | 1 | 2 | Anslag | Stop shoulder | Anschlag | Butée |
| 19 | 401107 | 1 | 2 | Nit | Rivet | Niete | Rivet |
| 20 | 402088 | 1 | 1 | Bricka | Washer | Unterlagscheibe | Rondelle |
| 22 | 402103 | 1 | 1 | Lagertapp | Step bearing | Lagerzapfen | Crapaudine |
| 23 | 402105 | 1 | 1 | Länk | Link plate | Gelenk | Bras de liaison |
| 24 | 402280 | 1 | 1 | Låsfjäder | Locking spring | Klemmfeder | Ressort d'encliquetage |
| 25 | 402279 | 1 | 1 | Lagertapp | Step bearing | Lagerzapfen | Tourillon |
| 26 | 401097 | 4 | 8 | Lager | Bearing | Lagerbuchse | Palier |
| 27 | 401110 | 2 | 2 | Nit | Rivet | Niete | Rivet |
| 35 | 401111 | 1 | 1 | Smörjnippel | Lubrication nipple | Schmiernippel | Graisseur |
| 40 | 401247 | 1 | 1 | Seeger-säkring | Seeger locking device | Seegerring | Clip de sûreté syst Seeger |
| 41 | 402081 | 1 | 2 | Arm | Lever | Hebel | Bras |
| 42 | 402091 | 1 | 1 | Arm kompl höger, med rulle | Lever complete right, with roller | Hebel kompl recht, mit Rolle | Bras complet droit, avec rouleau |
| 43 | 402093 | 1 | 2 | Arm kompl vänster | Lever complete left | Hebel kompl link | Bras complet gauche |
| 44 | 402092 | 1 | 1 | Arm kompl höger | Lever complete right | Hebel kompl recht | Bras complet droit |



Rotork Sweden AB
 Kontrollvägen 15
 S-791 45 Falun
 Sweden

tel: +47 (0)23- 587 00
 fax: +47(0)23-587 45
 www.rotork.com
 falun.info@rotork.com