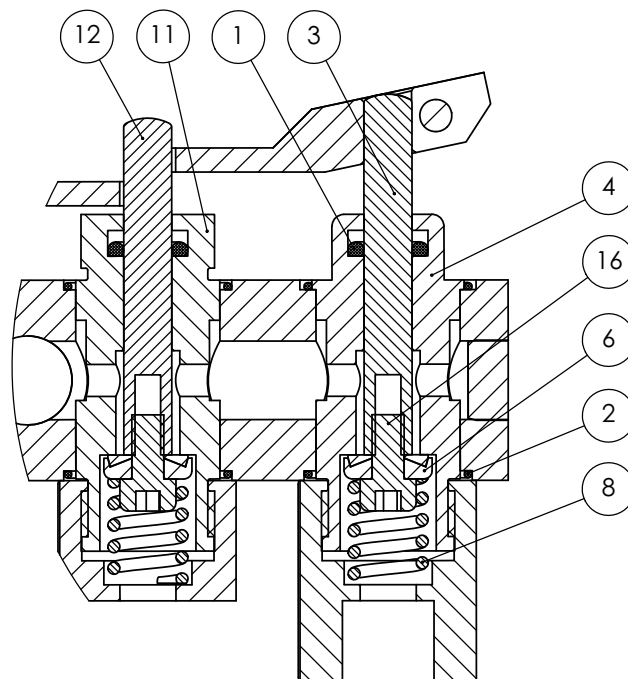
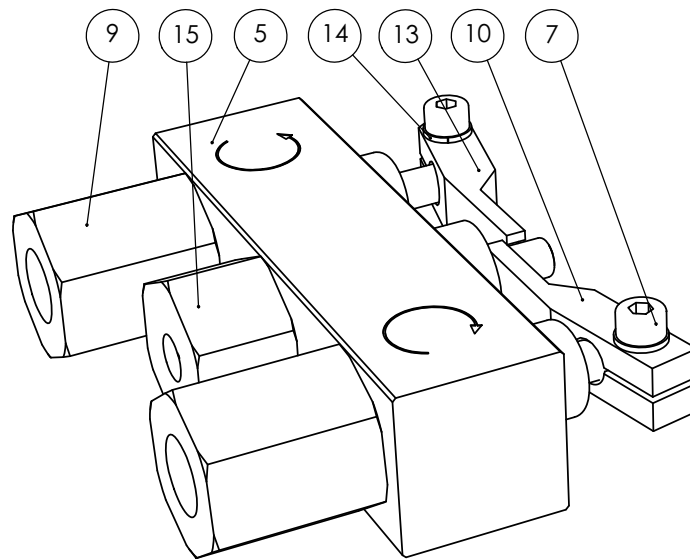


Twin Power[®]

Pneumatic multi-turn actuators for all types of valves

Spare part list 4:S - Control Valve



**STYRVENTIL - CONTROL VALVE - STEUERVERTIL - SOUPAPE DE MANIPULATION
TWIN POWER TYPE 114 & 214**

Det. No.	Art. No.	Number	Benämning	Denomination	Bezeichnung	Designation
1	401021	3	O-ring	O-ring	O-ring	Joint torique
2	401020	6	O-ring	O-ring	O-ring	Joint torique
3	401019	2	Axel	Axle	Welle	Arbre
4	401018	2	Ventil	Valve	Ventil	Soupape
5	402009	1	Hus	Casing	Gehäuse	Enveloppe
6	401017	3	Ventiltallrik	Valve disc	Ventilteller	Corps de soupape
7	121080	2	Skruv	Screw	Schraube	Vis
8	401013	3	Fjäder	Spring	Feder	Ressort
9	402006	2	Mutter	Screw nut	Mutter	Écrou
10	402010	1	Arm, höger	Lever, right	Arm, rechts	Levier
11	401014	1	Ventil	Valve	Ventil	Soupape
12	401015	1	Axel	Axle	Welle	Arbre
13	402011	1	Arm, vänster	Lever, left	Arm, links	Levier
14	401312	2	Taggbricka	Ragged washer	Unterlagscheibe	Rondel ebréchée
15	402007	1	Mutter	Screw-nut	Mutter	Écrou
16	121167	3	Skruv	Screw	Schraube	Vis



Remote Control Sweden AB
P O Box 80, Kontrollvägen 15
SE-791 22 Falun
Sweden
Tel +46 (0)23-587 00
Fax +46 (0)23-587 45
www.remotecontrol.se
info@remotecontrol.se

Ref No. 4:S/Art No. 980640