

rotork[®]

Gears



Direct Mount Chain Wheels

Direct Mount Chain Wheels mount directly onto the gearbox input shaft by means of a pin or coupling, and are suitable for use with every range in our product offering.

Features

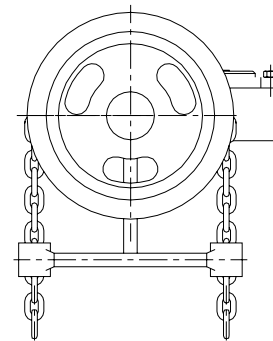
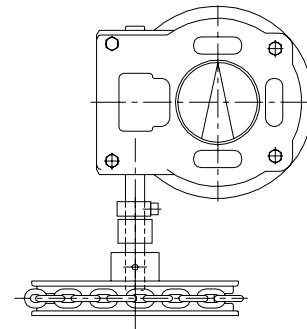
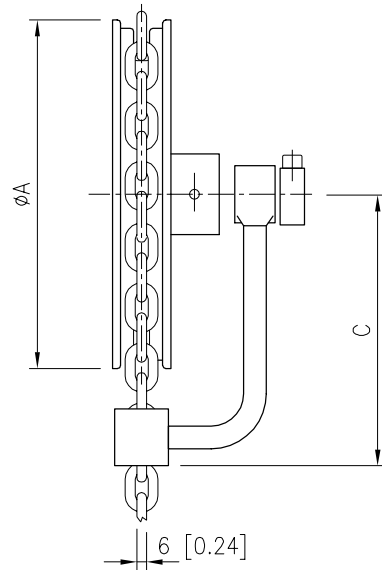
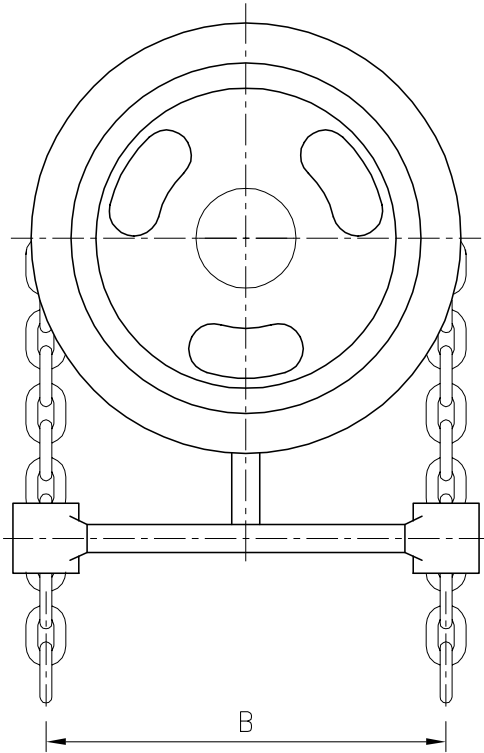
- Cast iron chain wheels from 135 to 330 mm diameter, larger sizes can be supplied.
- Chain guides and bearing are standard.
- Chain and chain wheel sprockets are to DIN 766.
- Galvanized or stainless steel chain available.
- Epoxy coating for durability available.
- Direct mount on the input shaft.
- Stainless steel couplings for mounting on IW/IB/IS gearboxes.

Options

- AISI316 chain wheel & chain.
- Sheradisation protection.
- Adaption design to suit application.



Direct Mount Chain Wheels



DIMENSIONS			
	WHEEL 135	WHEEL 215	WHEEL 335
A	135 (5.31)	220 (8.66)	330 (12.99)
B	120 (4.72)	185 (7.28)	306 (12.05)
C	147.5 (5.81)	167.5 (6.59)	217.5 (8.56)

For larger size Chain Wheels, please contact Rotork Gears.
 Dimensions in mm (inch).
 The maximum advised RIM pull is 700N.
 Chain Wheels are not suitable for gears with rated torque lower than 330 Nm.

A full listing of the Rotork sales and service network is available on our website.

www.rotork.com

Headquarters
 Rotork Gears UK
 tel +44 (0)113 2567922
 email sales@rotorkgears.com

Electric Actuators and Control Systems
 Fluid Power Actuators and Control Systems
 Gearboxes and Gear Operators
 Precision Control and Indication
 Projects, Services and Retrofit