

Jordan Controls, Inc.

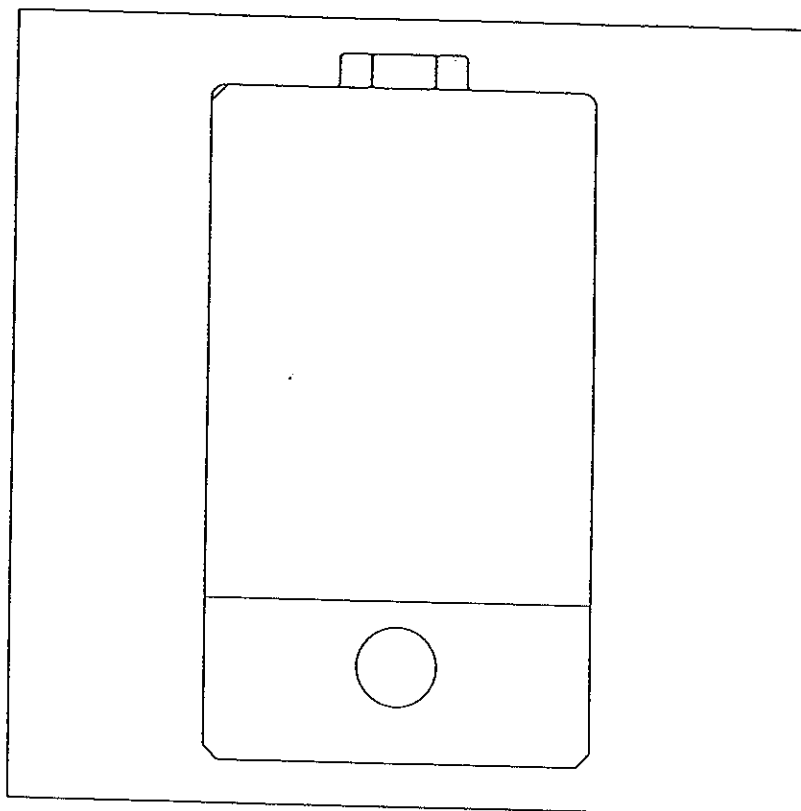
IM-0594

7/96

EC-10797

Instruction Manual

**SIGNAL
CONVERSION
MODULE**



GENERAL INFORMATION

TABLE OF CONTENTS

1	Cover
2	Table of Contents
2	Receiving/Inspection/Storage
2	Identification
2	Equipment Return/Return Goods Authorization
3	Product Specifications
3	Typical Wiring Diagram (EC-10797)
4	Typical Wiring Diagrams
5	Installation Dimensions

IDENTIFICATION LABEL

An identification label is attached to each actuator cover. The serial number is also stamped on the aluminum housing, directly above the conduit entry. When ordering parts, requesting information, or service assistance, please provide all of the label information.

EXAMPLE

MODEL NUMBER: EC 10797

SERIAL: 1627C92-23456

PH/HZ/V/A: 1/60/120/1

MODEL NUMBER: EC 10797

Actuator Series

SERIAL NUMBER: 1627 C 92 - 23456

Sequential Number Job Reference No.
Month built Year built

PH/HZ/V/A: 1/60/120/1

PH=Phase

HZ=Hertz

V=Voltage

A=Amp

RECEIVING

Once you have received the actuator, carefully inspect for shipping damage. Damage to the shipping carton is usually a good indication that it has received rough handling.

Report all damage immediately to the freight carrier and Jordan Controls, Inc.

INSPECTION

Carefully unpack the actuator— taking care to save the shipping carton and any packing material should return be necessary. Verify that the items on the packing list or bill of lading agree with your own.

STORAGE

If the actuator will not be installed immediately, it should be stored in a clean, dry area where the ambient temperature is not less than -20° F. The actuator should not be stored in a corrosive environment.

EQUIPMENT RETURN

For your convenience, Jordan Controls, Inc., will provide an efficient method of returning equipment for repair.

Returned Goods Authorization

A Returned Goods Authorization (RGA) number is required to return any equipment for repair. This must be obtained from the Jordan Controls Service Department. The equipment must be sent to the following address after the RGA number is issued:

Jordan Controls, Inc.
5607 West Douglas Avenue
Milwaukee, Wisconsin 53128
Attn: Service Department

To facilitate quick return and handling of your equipment include:

RGA Number
Your Company Name
Address
Repair Purchase Order Number
Brief description of the problem

PRODUCT SPECIFICATIONS

SIGNAL CONVERSION MODULE

Electrical

Line Voltage: 120/240 Vac (terminal selectable)
Frequency: 50/60 Hz
Field Wiring Terminations: barrier terminal block
Wire size range 26-14 AWG

Signals

Signal Inputs:
Four active low, 12 mA sink
Switched 120 or 240 Vac for incremental control
Signal Outputs:
Four form C contacts rated 5A at 120/240 Vac; 1/6 Hp
Increase/decrease logic signal for inputing to actuator

Mechanical

Mass: Chassis form: .5 lbs. (.2 kg)
Enclosed form: 3 lbs. (1.4 kg)
Conduit entry: Two 1/2" - 14 NPT

Environmental

Temperature Limits: -40° F to +150° F (-40° C to +65° C)
Enclosure: Explosion-Proof for Class I, Division 1, Groups C and D;
Dust-ignition-proof for Class II, Division 1, Groups E, F, and G.

Test

To activate any limit switch, jumper pin 5 of P2 connector to a chosen limit switch input LS 1 through LS 4 of P2 connector. Corresponding limit switch LED will illuminate and relay will be activated.

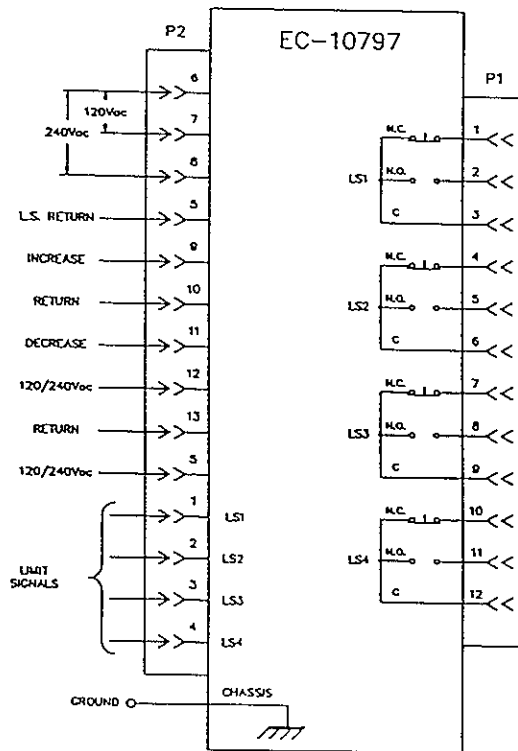
MODEL EC-10797 WITH SM/MV-1000 SERIES ACTUATOR

This option allows the actuator to operate from switched 120 or 240 Vac input commands for incremental control. It also can be utilized to accept the four actuator open collection limit inputs and convert them to four form C relay output contacts.

The module can be furnished in chassis form for customer mounting or in a Type 4 (IP65) enclosure suitable for installation in a Class I, Division 1, Group C or D location, or a Class II, Division 1, Group E, F, or G location. In this form, it can also be close coupled to the actuator, if desired.

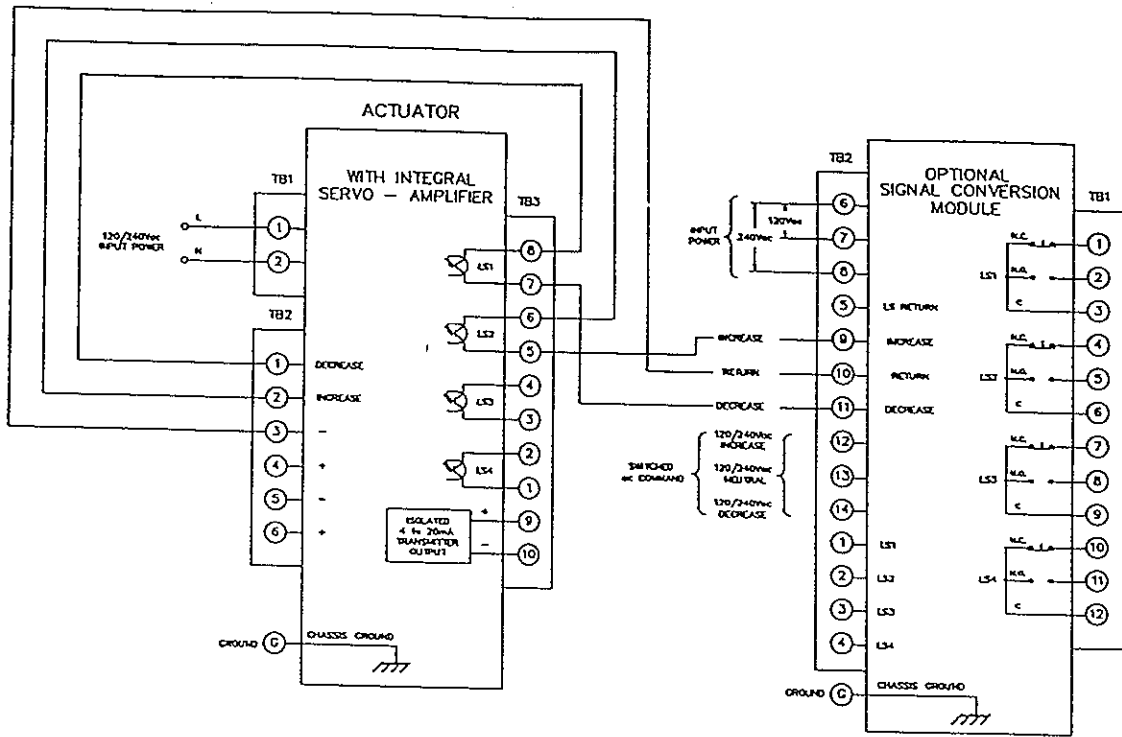
TYPICAL WIRING DIAGRAM

EC-10797

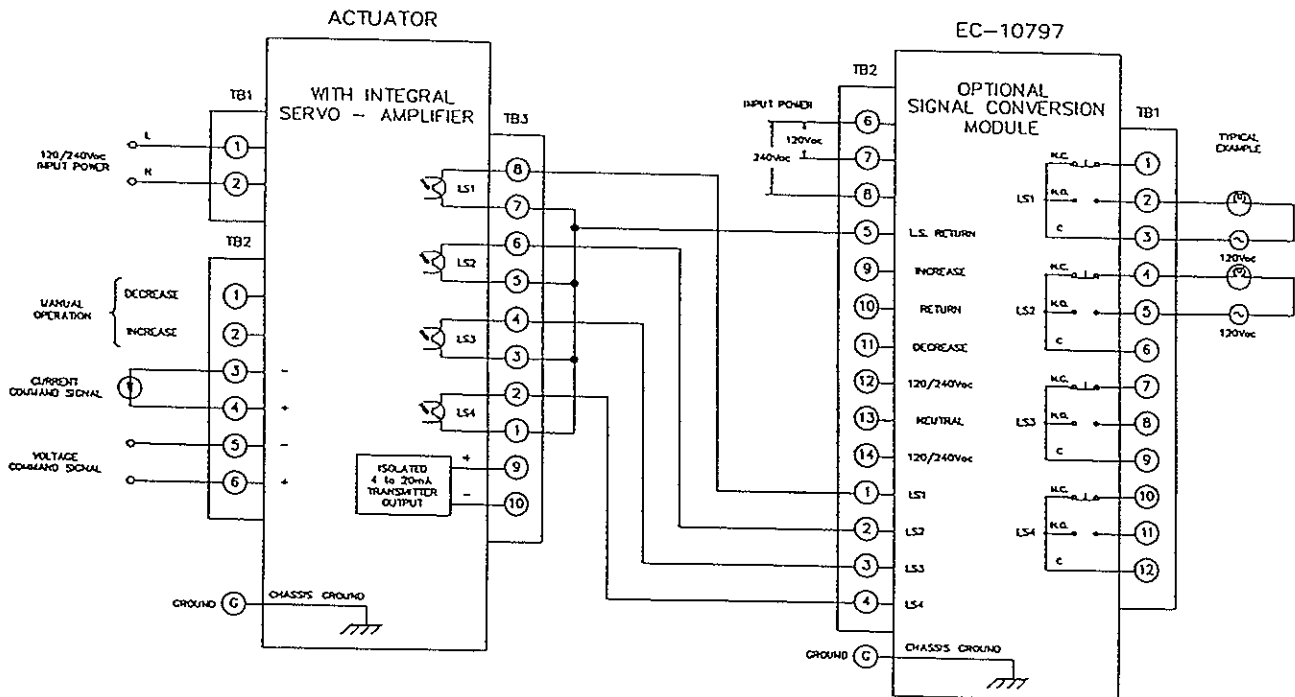


TYPICAL WIRING DIAGRAMS

SWITCHED AC COMMAND WITH END OF TRAVEL LIMITS AND FORM C LIMIT SWITCH OUTPUTS

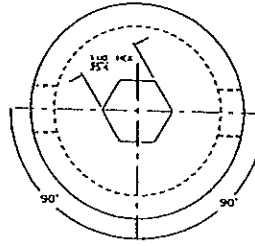
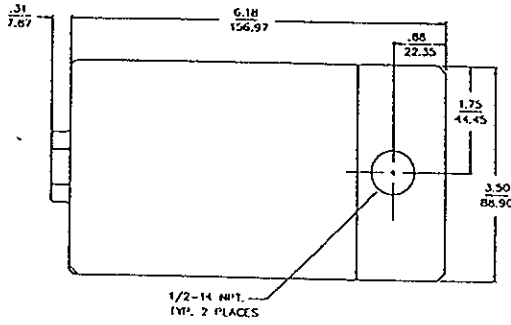


UTILIZING SIGNAL CONVERSION MODULE FORM C LIMIT SWITCH OUTPUTS

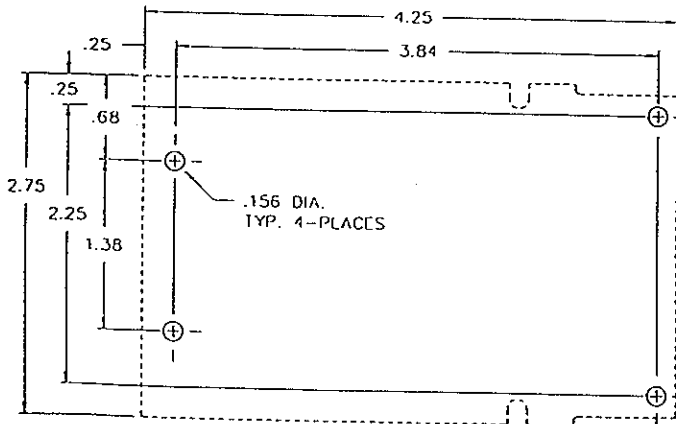


INSTALLATION DIMENSIONS

EC-10797 SIGNAL CONVERSION MODULE Shown in Type 4 (IP65)/Explosion-Proof Enclosure



Chassis Form



Board Layout

