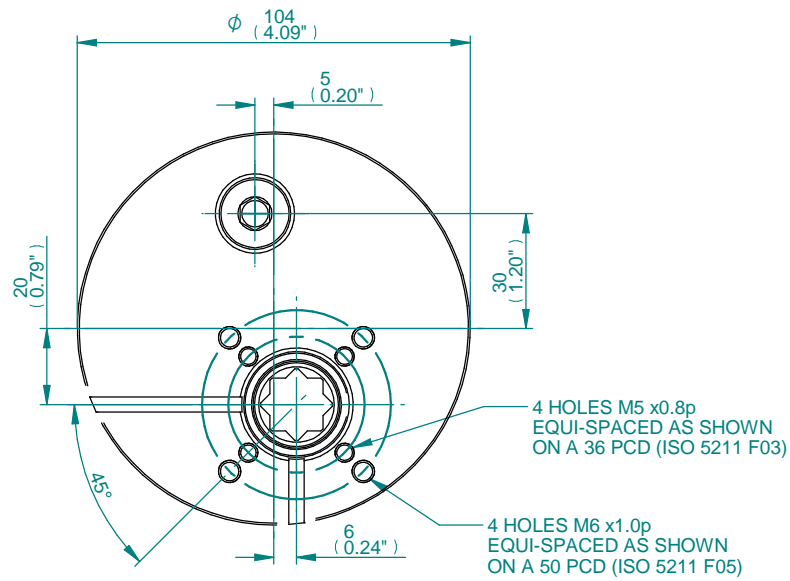
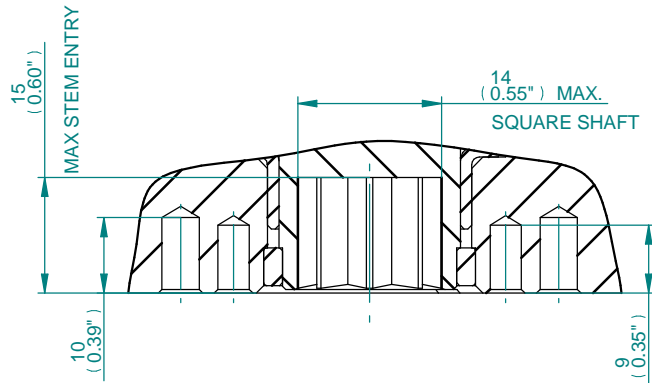


NOTES

\*Removal allowance required.



ROM-1 F03/F05 Mounting Base Details