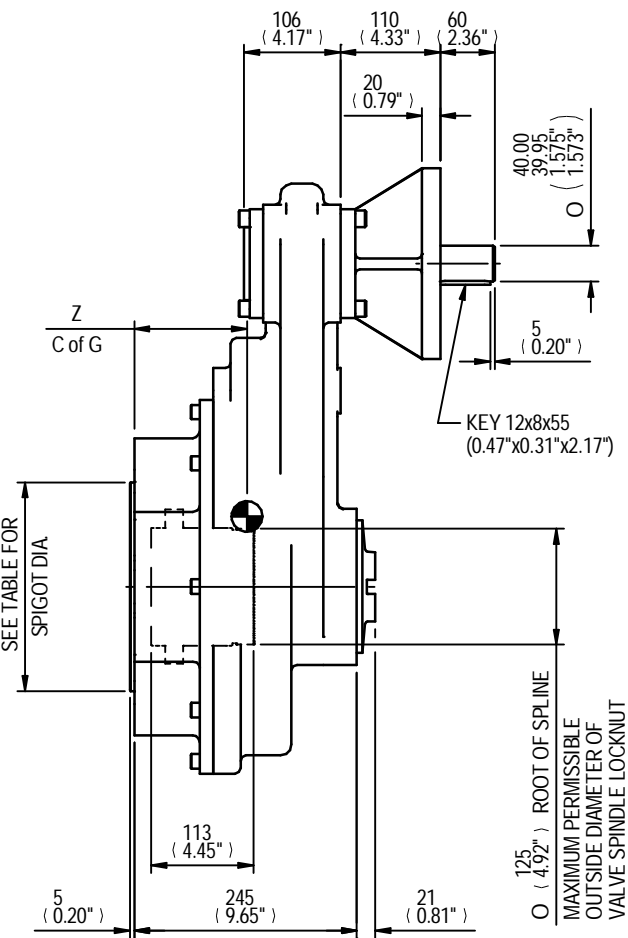


SEE TABLE FOR BORE & KEY DETAILS

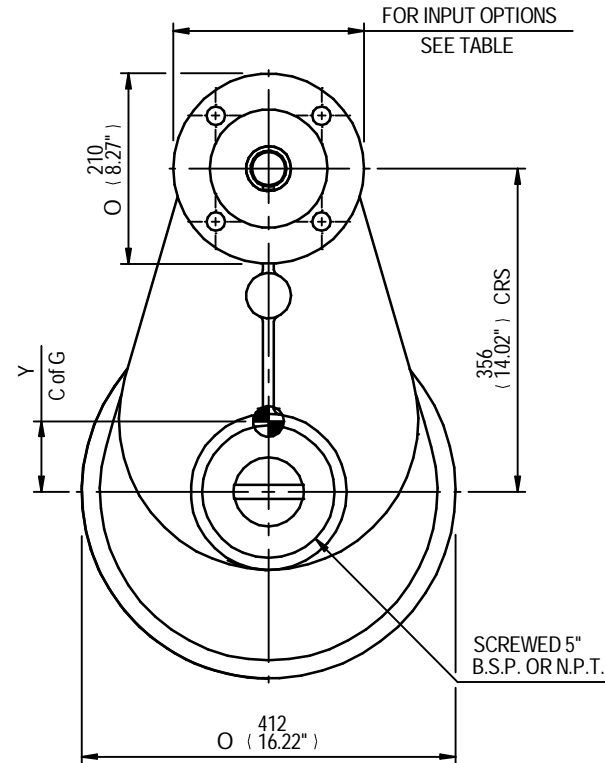
SEE TABLE FOR BASEPLATE DETAILS

MOUNTING HOLES CAN BE POSITIONED ON CTRS BY REMOVING 8 BOLTS INDICATED AND REPOSITIONING



SEE TABLE FOR SPIGOT DIA

125 O (4.92 inches) ROOT OF SPLINE
MAXIMUM PERMISSIBLE OUTSIDE DIAMETER OF VALVE SPINDLE LOCKNUT



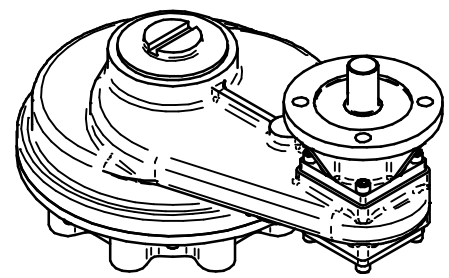
FOR INPUT OPTIONS SEE TABLE

SCREWED 5" B.S.P. OR N.P.T.

RATIO	M.A.	C.O.G.			MAX OUTPUT TORQUE Nm (lbs.ft)
		X	Y	Z	
4	3.633	0	78	124	4067 (3000)
6	5.500	0	76	124	4067 (3000)
8	7.025	0	76	124	4067 (3000)
10	9.156	0	76	124	4067 (3000)
12	10.900	0	76	125	4067 (3000)
15	13.194	0	77	125	4067 (3000)

MAX BORE SQ KEY			MAX BORE RECTANGULAR KEY			MAX STEM SCREW ACCEPTANCE DIA
STD	BORE	KEY	STD	BORE	KEY	
BS4235	-	-	BS4235	96.0	28 x 16	100 (3.875")
BS46	3.500	7/8" SQ	BS46	3.625	1" x 3/4"	
ANSI B17.1	3.500	7/8" SQ	ANSI B17.1	3.750	7/8" x 5/8"	

	INPUT FLANGE DETAILS					BASEPLATE DETAILS		
	O/DIA. & THICKNESS	SHAFT DIA.	RECESS DIA.	RECESS DEPTH	HOLE DETAILS 45°(OFF CENTRES)	KEY DETAILS	SPIGOT DIA.	HOLE DETAILS (22.5° OFF CENTRES)
ISO F16	Ø210 x 20	Ø40.00±0.05	Ø130.05±0.05	5	4 HOLES Ø20.5 (Ø0.81")	12x8x55	Ø229.95±0.05	8 HOLES M20x25 (0.98") DEEP
	(Ø8.27" x 0.79")	(Ø1.575"-0.002")	(Ø5.120"+0.002")	(0.20")	ON Ø165.0 (Ø6.50") P.C.	(0.47"x0.31"x2.17")	(Ø9.053"-0.002")	ON Ø298.0 (Ø11.73") P.C.
FA16	Ø210 x 20	Ø40.00±0.05	Ø126.92±0.05	5	4 HOLES Ø20.5 (Ø0.81")	12x8x55	Ø177.70±0.05	8 HOLES 3/4"UNCx25 (0.98") DEEP
	(Ø8.27" x 0.79")	(Ø1.575"-0.002")	(Ø4.997"+0.002")	(0.20")	ON Ø165.0 (Ø6.50") P.C.	(0.47"x0.31"x2.17")	(Ø6.996"-0.002")	ON Ø298.5 (Ø11.75") P.C.



IS11 GEARBOX F16/FA16 INPUT F30/FA30 OUTPUT

DETAILS SUBJECT TO CHANGE WITHOUT PRIOR NOTICE

FOR UP TO DATE DETAILS VISIT www.rotork.com

APPROX WEIGHT 128.5 kg

DRAWING No	PUBIS11-F16-F30	Regina House Ring Road Bramley Leeds LS134ET United Kingdom
ISSUE	A	
DATE	08/06/2011	