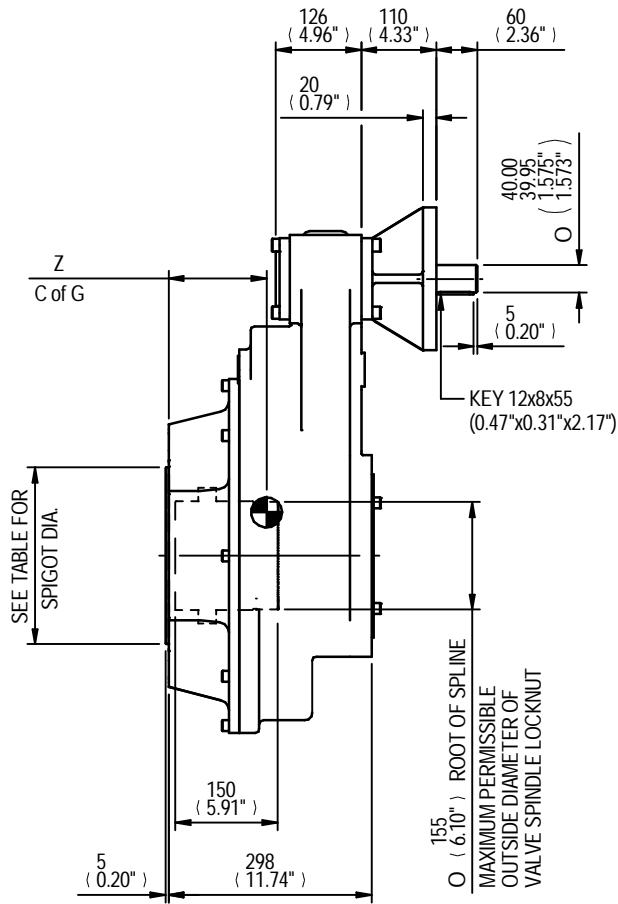


SEE TABLE FOR BORE & KEY DETAILS

SEE TABLE FOR BASEPLATE DETAILS

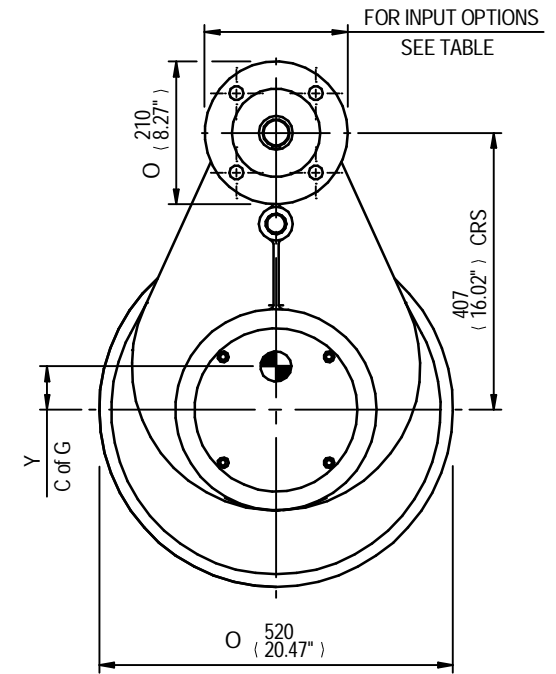
MOUNTING HOLES CAN BE POSITIONED ON CTRS BY REMOVING 8 BOLTS INDICATED AND REPOSITIONING



Z
C of G

SEE TABLE FOR SPIGOT DIA.

155
O (6.10") ROOT OF SPLINE
MAXIMUM PERMISSIBLE OUTSIDE DIAMETER OF VALVE SPINDLE LOCKNUT



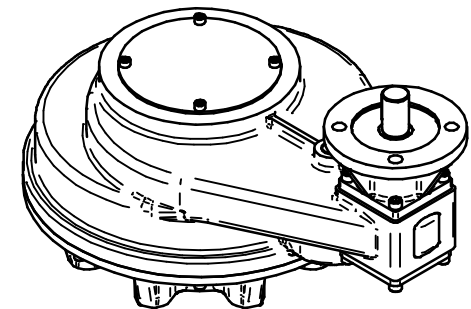
RATIO	M.A.	C.O.G.			MAX OUTPUT TORQUE Nm (lbs.ft)
		X	Y	Z	
8	7.280	0	64	144	8135 (6000)
10	8.993	0	64	144	8135 (6000)
12	10.649	0	64	144	8135 (6000)
15	13.632	0	64	144	8135 (6000)

MAX BORE SQ KEY			MAX BORE RECTANGULAR KEY		
STD	BORE	KEY	STD	BORE	KEY
BS4235	-	-	BS4235	121.0	32 x 18
BS46	4.500"	1 1/4" SQ	BS46	4.625"	1 1/4" x 7/8"
ANSI B17.1	4.500"	1" SQ	ANSI B17.1	4.625"	1 1/2" x 7/8"

MAX STEM SCREW ACCEPTANCE DIA
127 (5.000")

	INPUT FLANGE DETAILS				
	FLANGE O/DIA. & THICKNESS	SHAFT DIA.	RECESS DIA.	RECESS DEPTH	HOLE DETAILS 45°(OFF CENTRES)
ISO F16	Ø210 x 20	Ø40.00-0.05	Ø130.05+0.05	5	4 HOLES Ø20.5 (Ø0.81")
	(Ø8.27" x 0.79")	(Ø1.575"-0.002")	(Ø5.120"+0.002")	(0.20")	ON Ø165.0 (Ø6.50") P.C. (0.47"x0.31"x2.17")
FA16	Ø210 x 20	Ø40.00-0.05	Ø126.92+0.05	5	4 HOLES Ø20.5 (Ø0.81")
	(Ø8.27" x 0.79")	(Ø1.575"-0.002")	(Ø4.997"+0.002")	(0.20")	ON Ø165.0 (Ø6.50") P.C. (0.47"x0.31"x2.17")

	BASEPLATE DETAILS	
	SPIGOT DIA.	HOLE DETAILS (22.5° OFF CENTRES)
ISO F35	Ø259.95-0.05	8 HOLES M30x40 (1.57") DEEP (Ø10.234"-0.002")
		ON Ø356.0 (Ø14.02") P.C.
FA35	Ø215.80-0.25	8 HOLES 1"UNCx40 (1.57") DEEP (Ø8.496"-0.008")
		ON Ø355.6 (Ø14.00") P.C.



rotork gears

IS13 GEARBOX
F16/FA16 INPUT F35/FA35 OUTPUT

DETAILS SUBJECT TO CHANGE WITHOUT PRIOR NOTICE

FOR UP TO DATE DETAILS VISIT www.rotork.com

APPROX WEIGHT 201.4 kg

DRAWING No	PUBIS13-F16-F35	Regina House Ring Road Bramley Leeds LS134ET United Kingdom
ISSUE	A	
DATE	08/06/2011	