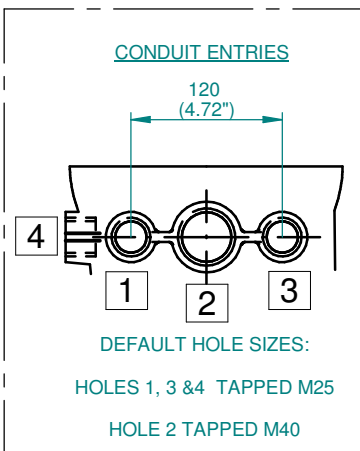
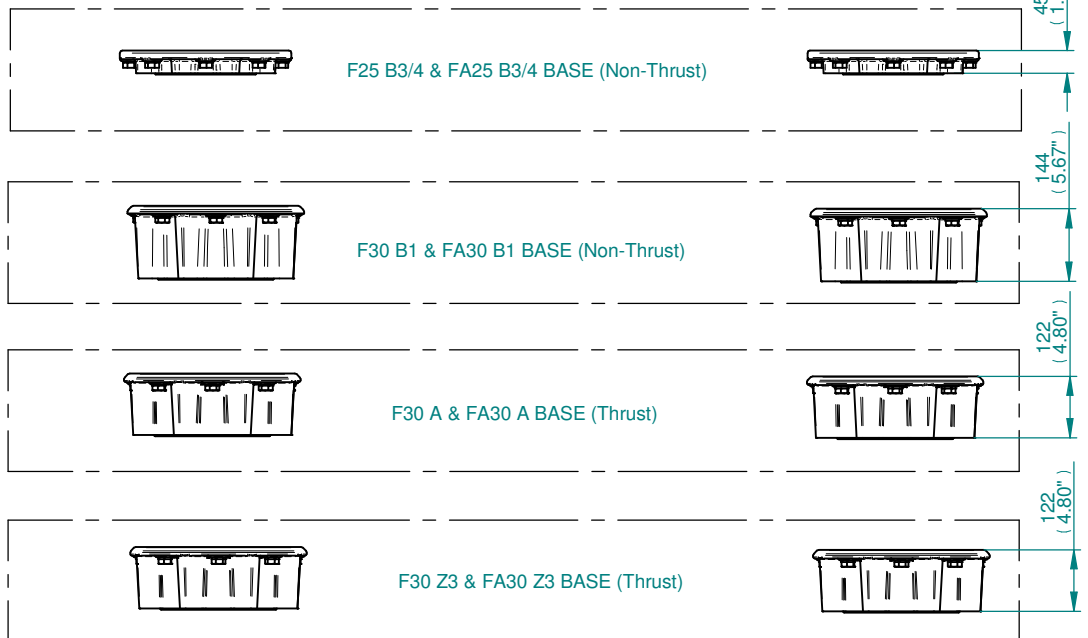
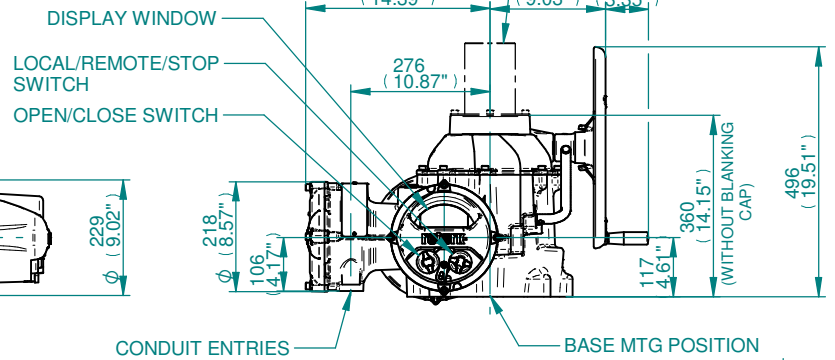
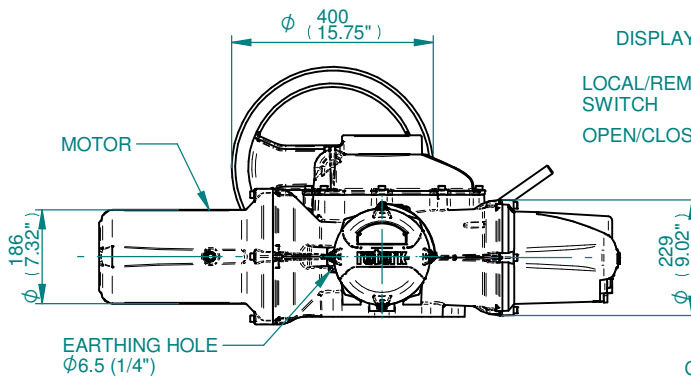
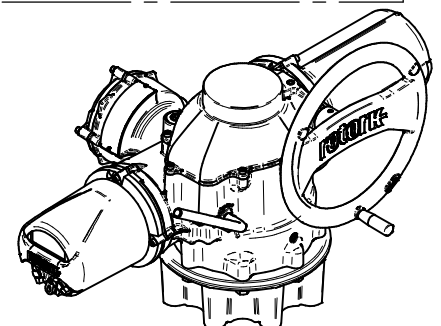
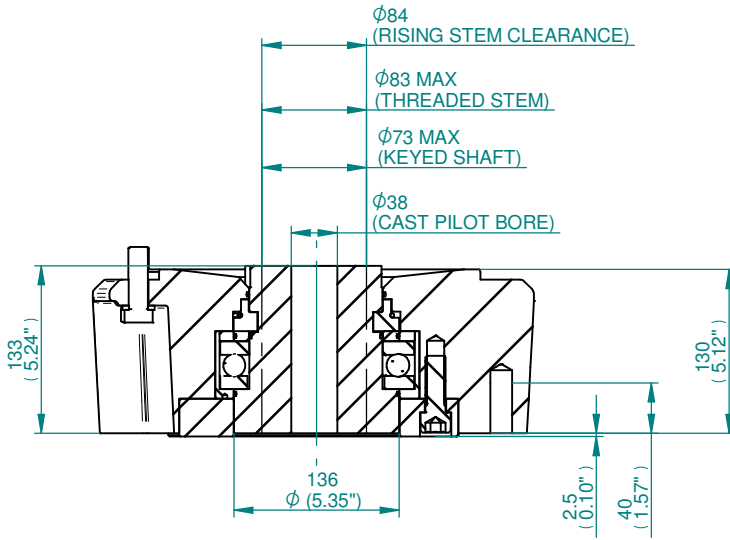


COVER TUBE SUPPLIED IN 150 (6") & 300 (12") LGTH'S THEN IN 300 (12") INCREMENTS UP TO 1500 (60") LG.

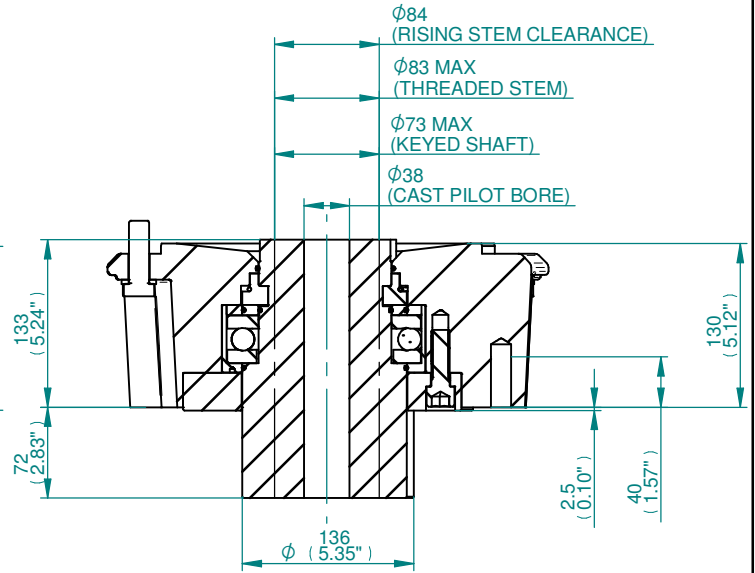


- NOTES**
- FOUR BASE OPTIONS ARE DETAILED TO SUIT THE RELEVANT COUPLING ARRANGEMENT.
  - THE REQUIRED BASE FOR THE SIDE & END VIEWS SHOULD BE LOADED TO MTG POSITION INDICATED.
  - \*\* REMOVAL ALLOWANCE REQUIRED.



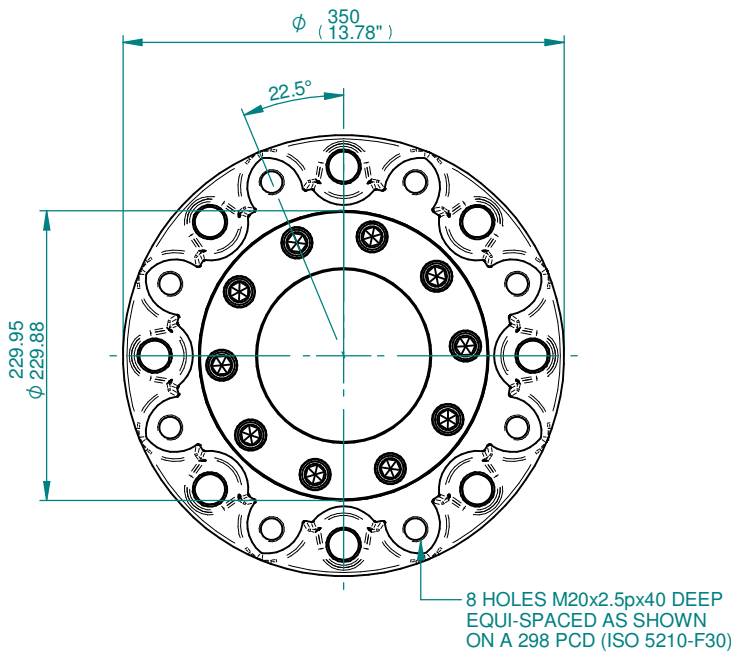


TYPICAL 'A' COUPLING DETAILS

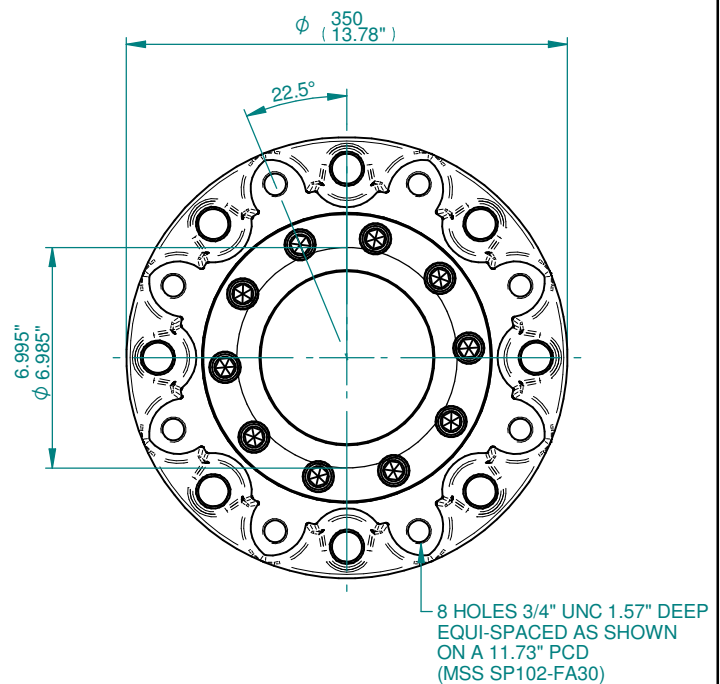


TYPICAL 'Z3' COUPLING DETAILS

NOTE : COUPLINGS WITHOUT PILOT BORE AVAILABLE IF SPECIFIED WITH ORDER.

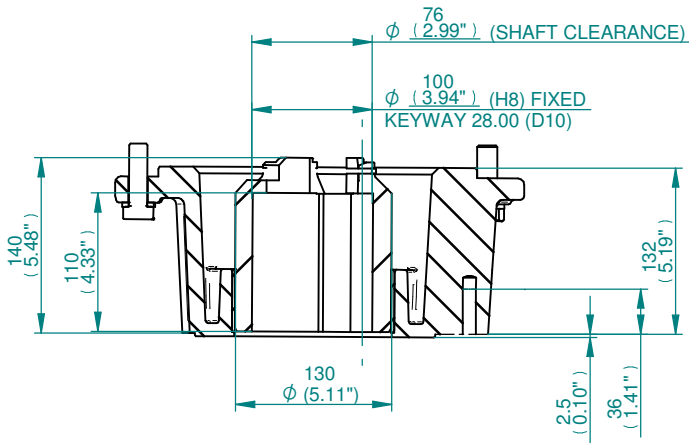


F30 BASE DETAILS  
FOR 'A' & 'Z3' COUPLINGS

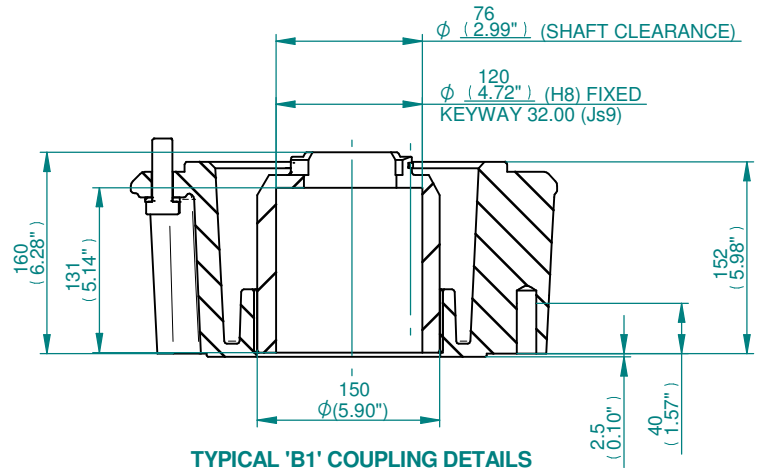


FA30 BASE DETAILS  
FOR 'A' & 'Z3' COUPLINGS

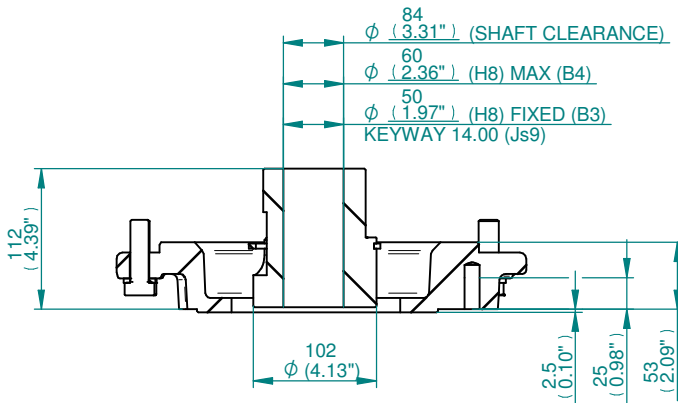
## IQ3 SIZE 90 THRUST BASES



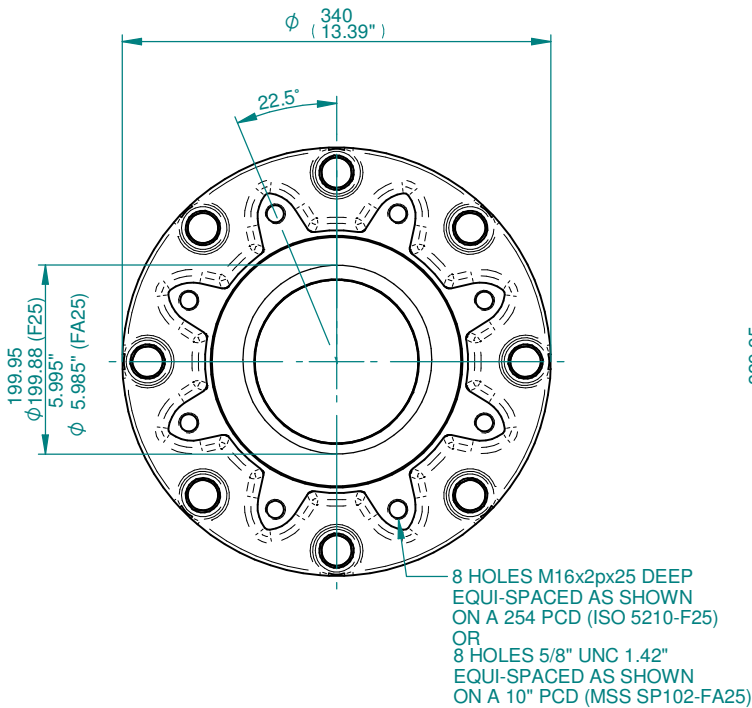
TYPICAL 'B1' COUPLING DETAILS



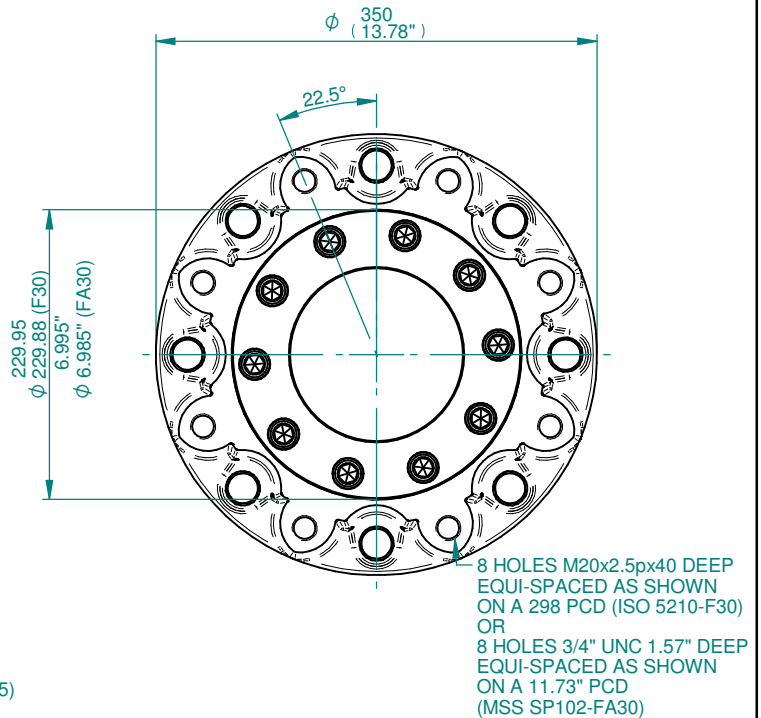
TYPICAL 'B1' COUPLING DETAILS



TYPICAL 'B3/B4' COUPLING DETAIL



F25/FA25 BASE DETAILS FOR 'B1' & 'B3/B4' COUPLINGS



F30/FA30 BASE DETAILS FOR 'B1' COUPLINGS

## IQ3 SIZE 90 NON-THRUST BASES