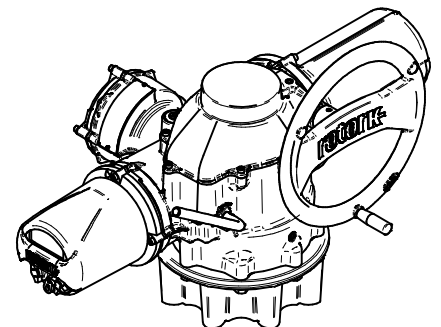
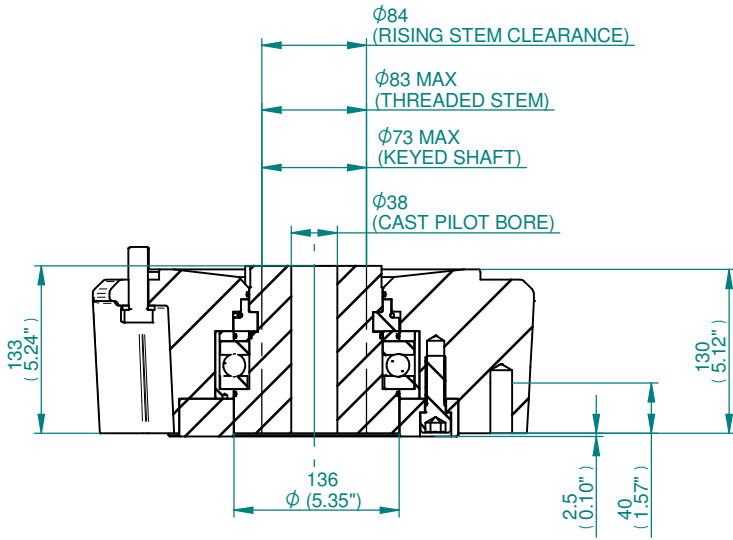


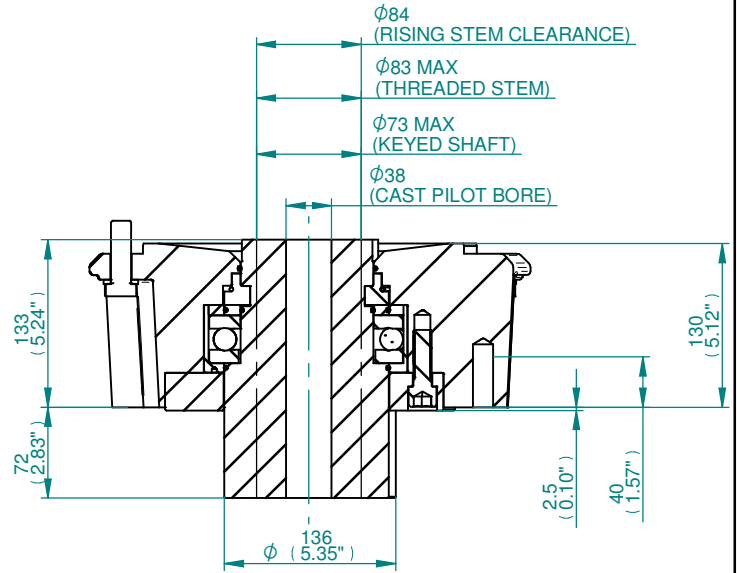
NOTES

1. TWO BASE OPTIONS ARE DETAILED TO SUIT THE RELEVANT COUPLING ARRANGEMENT.
2. THE REQUIRED BASE FOR THE SIDE & END VIEWS SHOULD BE LOADED TO MTG POSITION INDICATED.
3. ** REMOVAL ALLOWANCE REQUIRED.



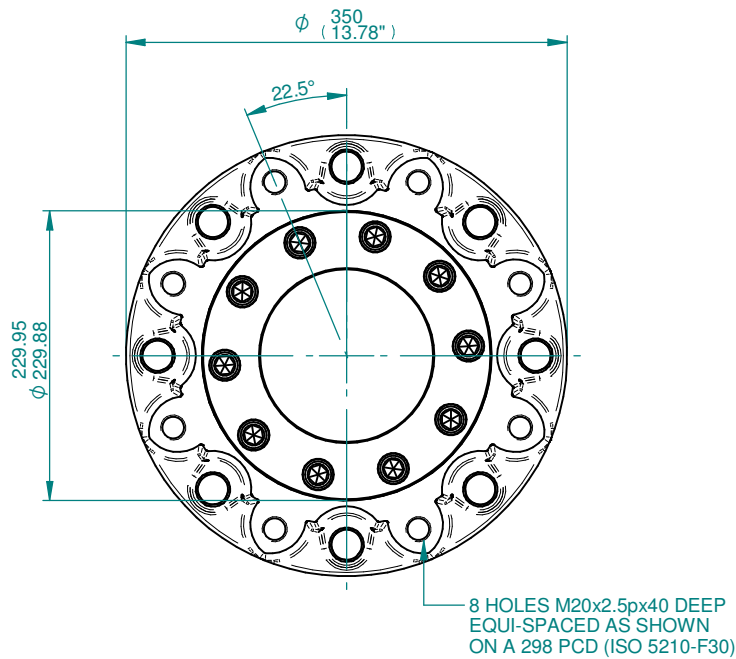


TYPICAL 'A' COUPLING DETAILS

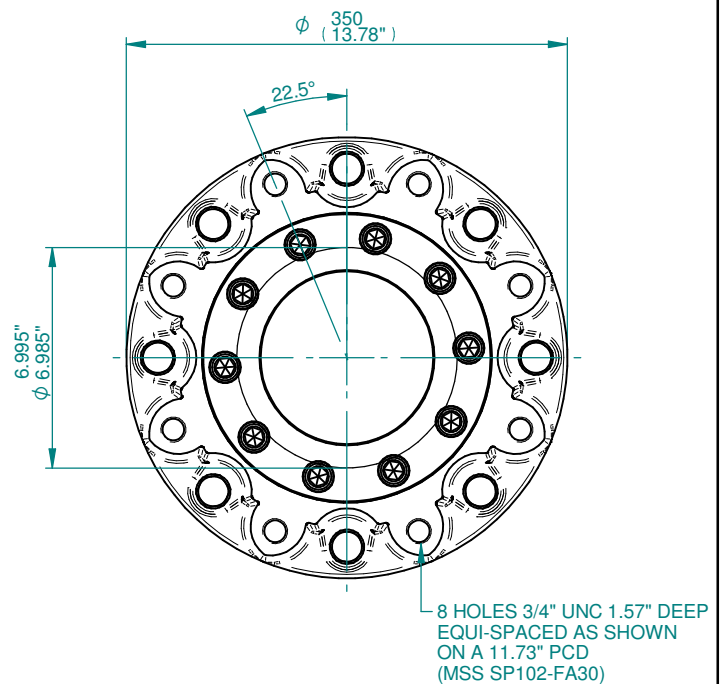


TYPICAL 'Z3' COUPLING DETAILS

NOTE : COUPLINGS WITHOUT PILOT BORE AVAILABLE IF SPECIFIED WITH ORDER.



F30 BASE DETAILS FOR 'A' & 'Z3' COUPLINGS



FA30 BASE DETAILS FOR 'A' & 'Z3' COUPLINGS

IQ3 SIZE 95 THRUST BASES