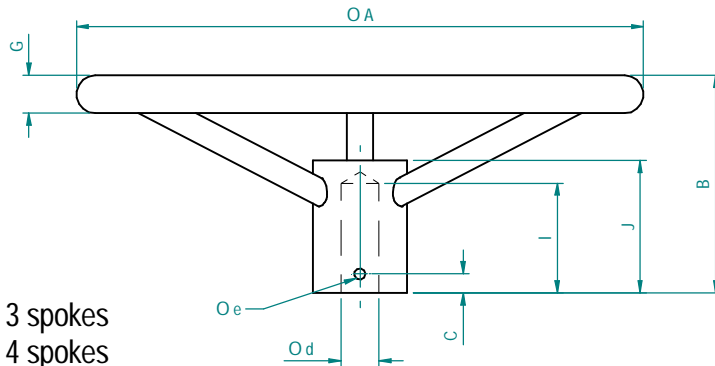
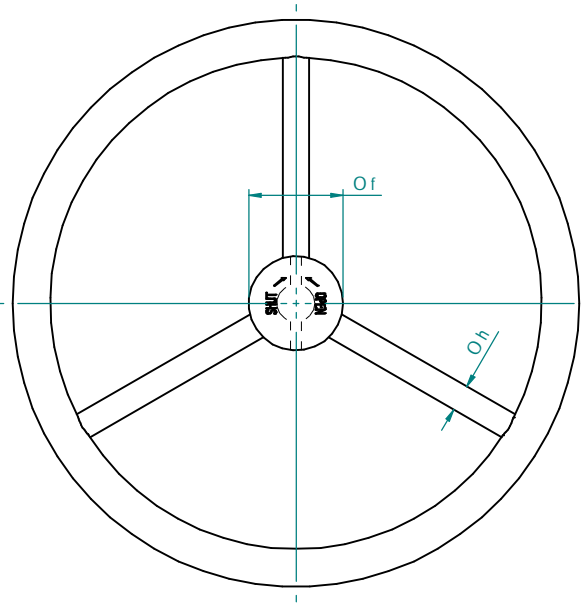
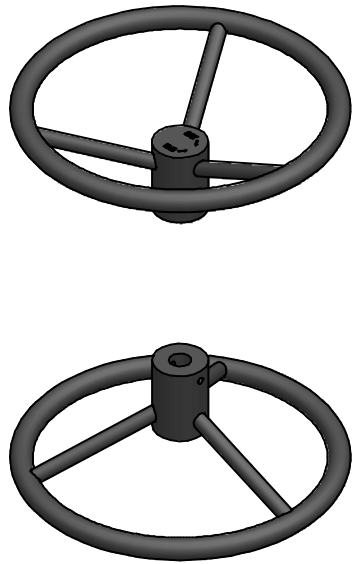


Standard coating: RAL9005 black
 * Other colours available on request

ISSUE	ALTERATIONS
13	



SG150 up to SG300 with 3 spokes
 SG350 up to SG750 with 4 spokes
 SG800 up to SG1000 with 5 spokes

UNLESS OTHERWISE SPECIFIED:
 1. ALL DIMENSIONS IN MM [inch]

HANDWHEEL	Ø A	B	C	Ø d	Ø e	Ø f	G	ROTORK GEARS BV © 2012				
								Ø h	I	J		
SG 150-12	150 [5.91]	80 [3.15]	8 [0.34]	12 [0.47]	4 [0.16]	40 [1.57]	16 [0.63]	12 [0.47]	30 [1.18]	40 [1.57]		
SG 150-15				15 [0.59]	5 [0.20]							
SG 200-12	200 [7.87]	80 [3.15]	8 [0.34]	12 [0.47]	4 [0.16]	40 [1.57]	16 [0.63]	12 [0.47]	30 [1.18]	40 [1.57]		
SG 200-15				15 [0.59]	5 [0.20]				42 [1.65]	50 [1.97]		
SG 200-20				20 [0.79]	6 [0.24]				58 [2.28]	70 [2.76]		
SG 200-25			25 [0.98]	6 [0.24]								
SG 250-12			250 [9.84]	110 [4.33]	8 [0.34]	12 [0.47]	4 [0.16]	40 [1.57]	20 [0.79]	14 [0.55]	30 [1.18]	40 [1.57]
SG 250-15	15 [0.59]	5 [0.20]				42 [1.65]	50 [1.97]					
SG 250-16	16 [0.63]	5 [0.20]										
SG 250-20	10 [0.39]				20 [0.79]	6 [0.24]	50 [1.97]			58 [2.28]	70 [2.76]	
SG 250-25					25 [0.98]	6 [0.24]						
SG 250-30					30 [1.18]	8 [0.31]						
SG 300-12					300 [11.81]	115 [4.53]				8 [0.34]	12 [0.47]	4 [0.16]
SG 300-15	15 [0.59]	5 [0.20]	42 [1.65]	50 [1.97]								
SG 300-16	16 [0.63]	5 [0.24]										
SG 300-20	10 [0.39]		20 [0.79]	6 [0.24]			50 [1.97]			58 [2.28]	70 [2.76]	
SG 300-25			25 [0.98]	6 [0.24]								
SG 300-30			30 [1.18]	8 [0.31]								
SG 350-12*			350 [13.78]	120 [4.72]						8 [0.34]	12 [0.47]	4 [0.16]
SG 350-15*	15 [0.59]	5 [0.20]			42 [1.65]	50 [1.97]						
SG 350-20*	20 [0.79]	6 [0.24]			58 [2.28]	70 [2.76]						
SG 350-25*	10 [0.39]				25 [0.98]	6 [0.24]	50 [1.97]			58 [2.28]	70 [2.76]	
SG 350-30*					30 [1.18]	8 [0.31]						
SG 400-12					400 [15.75]	130 [5.12]				8 [0.34]	12 [0.47]	4 [0.16]
SG 400-15	15 [0.59]	5 [0.20]	42 [1.65]	50 [1.97]								
SG 400-16	16 [0.63]	5 [0.24]										
SG 400-20	10 [0.39]		20 [0.79]	6 [0.24]			50 [1.97]			58 [2.28]	70 [2.76]	
SG 400-25			25 [0.98]	6 [0.24]								
SG 400-30			30 [1.18]	8 [0.31]								
SG 450-15*			450 [17.71]	150 [5.91]						8 [0.34]	15 [0.59]	5 [0.20]
SG 450-20*	20 [0.79]	6 [0.24]			58 [2.28]	70 [2.76]						
SG 450-25*	25 [0.98]	6 [0.24]										
SG 450-30*	10 [0.39]				30 [1.18]	8 [0.31]	50 [1.97]			58 [2.28]	70 [2.76]	
SG 500-15					15 [0.59]	5 [0.20]						
SG 500-20	500 [19.69]	150 [5.91]	8 [0.34]	20 [0.79]	6 [0.24]	50 [1.97]	25 [0.98]	16 [0.63]	42 [1.65]	50 [1.97]		
SG 500-25				25 [0.98]	6 [0.24]				58 [2.28]	70 [2.76]		
SG 500-30				30 [1.18]	8 [0.31]							
SG 600-20			600 [23.62]	150 [5.91]	10 [0.39]	20 [0.79]	6 [0.24]	50 [1.97]	25 [0.98]	16 [0.63]	58 [2.28]	70 [2.76]
SG 600-25						25 [0.98]	6 [0.24]					
SG 600-30	30 [1.18]	8 [0.31]										
SG 700-20	700 [27.56]	150 [5.91]			10 [0.39]	20 [0.79]	6 [0.24]				50 [1.97]	25 [0.98]
SG 700-25			25 [0.98]	6 [0.24]								
SG 700-30			30 [1.18]	8 [0.31]								
SG 750-20*			750 [29.53]	150 [5.91]	10 [0.39]	20 [0.79]	6 [0.24]	50 [1.97]	25 [0.98]	16 [0.63]	58 [2.28]	70 [2.76]
SG 750-25*						25 [0.98]	6 [0.24]					
SG 750-30*	30 [1.18]	8 [0.31]										
SG 800-20	800 [31.50]	150 [5.91]	10 [0.39]	20 [0.79]	6 [0.24]	50 [1.97]	25 [0.98]	16 [0.63]	58 [2.28]	70 [2.76]		
SG 800-25		160 [6.30]		25 [0.98]	6 [0.24]							
SG 800-30				30 [1.18]	8 [0.31]							
SG 900-20	900 [35.43]	160 [6.30]	10 [0.39]	20 [0.79]	6 [0.24]	50 [1.97]	25 [0.98]	16 [0.63]	58 [2.28]	70 [2.76]		
SG 900-25				25 [0.98]	6 [0.24]							
SG 900-30				30 [1.18]	8 [0.31]							
SG 1000-25	1000 [39.37]	160 [6.30]	10 [0.39]	25 [0.98]	6 [0.24]	50 [1.97]	25 [0.98]	16 [0.63]	58 [2.28]	70 [2.76]		

* ON REQUEST

ROTORK GEARS BV
 NIJVERHEIDSSTRAAT 25
 7581 PV LOSSER
 THE NETHERLANDS

HANDWHEELS TYPE SG

THIS DOCUMENT IS PROPERTY OF ROTORK GEARS. NEITHER THIS OR ITS CONTENT MAY BE COPIED OR USED IN ANY OTHER WAY DETRIMENTAL TO THE INTEREST OF ROTORK GEARS. ACCEPTANCE OF THIS DOCUMENT SHALL CONSTITUTE ACKNOWLEDGEMENT OF THE FOREGOING CONDITIONS

DRAWN:- H.L. JAN. 2000
 CHECKED:- Henk Hoff 24-07-2012

A002-002