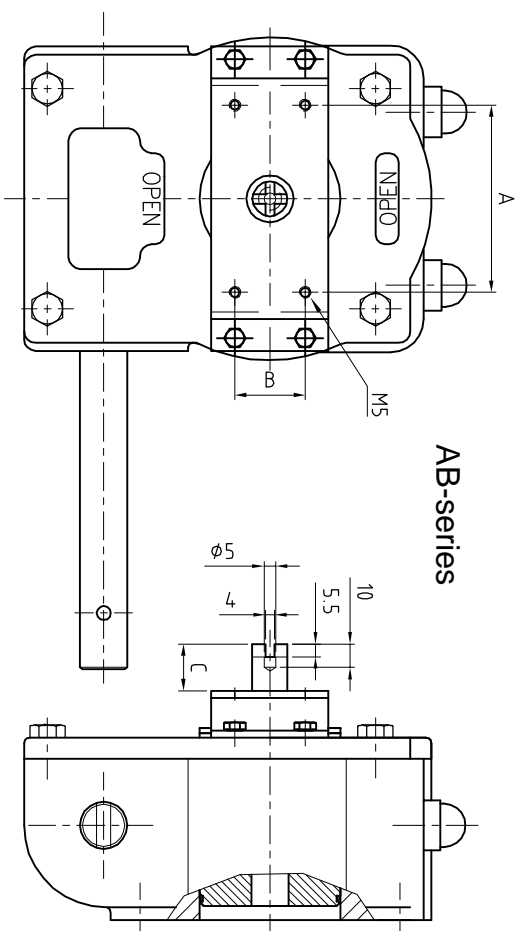


232-series



AB-series

ROTORK PART#

TYPE	A	B	C	ROTORK PART#
	STD	OPTION	STD	OPTION
				C=STD

232-SERIES

232-05	80 [3,15]	-	30 [1,18]	20 [0,79]	30 [1,18]	NAMU0100
232-06	80 [3,15]	-	30 [1,18]	20 [0,79]	30 [1,18]	NAMU0200
232-08	80 [3,15]	-	30 [1,18]	20 [0,79]	30 [1,18]	NAMU0300
232-11	80 [3,15]	130 [5,12]	30 [1,18]	20 [0,79]	30 [1,18]	NAMU0400
232-13	80 [3,15]	130 [5,12]	30 [1,18]	20 [0,79]	30 [1,18]	NAMU0400
232-14	80 [3,15]	130 [5,12]	30 [1,18]	20 [0,79]	30 [1,18]	NAMU0400
232-15	80 [3,15]	130 [5,12]	30 [1,18]	20 [0,79]	30 [1,18]	NAMU0400

AB-SERIES

AB 150	80 [3,15]	-	30 [1,18]	20 [0,79]	30 [1,18]	NAMU0000
AB 210	80 [3,15]	-	30 [1,18]	20 [0,79]	30 [1,18]	NAMU0A00
AB 215	80 [3,15]	-	30 [1,18]	20 [0,79]	30 [1,18]	NAMU0A00
AB 550	80 [3,15]	-	30 [1,18]	20 [0,79]	30 [1,18]	NAMU0B00
AB 880	80 [3,15]	-	30 [1,18]	20 [0,79]	30 [1,18]	NAMU0C00
AB 1250	80 [3,15]	130 [5,12]	30 [1,18]	20 [0,79]	30 [1,18]	NAMU0D00
AB 1950	80 [3,15]	130 [5,12]	30 [1,18]	20 [0,79]	30 [1,18]	NAMU0E00
AB 1950 HR	80 [3,15]	130 [5,12]	30 [1,18]	20 [0,79]	30 [1,18]	NAMU0E00
AB 1950/Sp4	80 [3,15]	130 [5,12]	30 [1,18]	20 [0,79]	30 [1,18]	NAMU0E00
AB 6800	80 [3,15]	130 [5,12]	30 [1,18]	20 [0,79]	30 [1,18]	NAMU0F00
AB 6800/Sp4	80 [3,15]	130 [5,12]	30 [1,18]	20 [0,79]	30 [1,18]	NAMU0F00
A 250/Sp9	80 [3,15]	130 [5,12]	30 [1,18]	20 [0,79]	30 [1,18]	NAMU0G00

* Other connections available on request

REMOVE ALL SHARP EDGES

Material : --

TITLE OF DRAWING :
Namur kits
 For ROTORK gearboxes

rotork gears



SCALE : NONE

NEW DRAWING NR. : *Namurkits-001*

REV. : 00

OLD DRAWING NR. :

Art. nr. :

IF NOT MENTIONED ON THE DRAWING :
 TOLERANCE acc. DIN 7168 part 1 (mid)

0 TO 6	± 0,10	100 TO 400	± 0,50
6 TO 30	± 0,20	400 TO 1000	± 1,00
30 TO 120	± 0,30	1000 TO 2000	± 1,20

DATE : 30-01-09
 DRAWN : *N.M*
 APPROVED : *H.H.*

THIS DOCUMENT IS PROPERTY OF ROTORK GEARS BV. NEITHER THIS OR ITS CONTENT MAY BE COPIED OR USED IN ANY OTHER WAY DETRIMENTAL TO THE INTEREST OF ROTORK. ACCEPTANCE OF THIS DOCUMENT SHALL CONSTITUTE ACKNOWLEDGEMENT OF THE FOREGOING CONDITIONS.