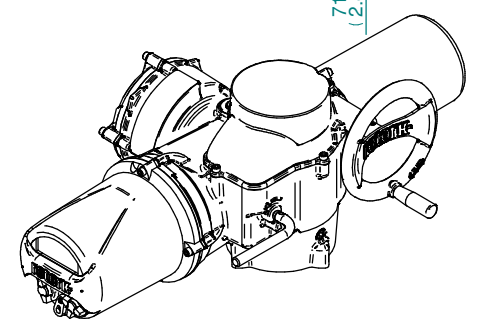
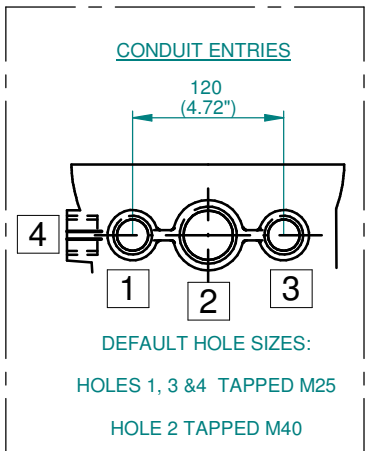
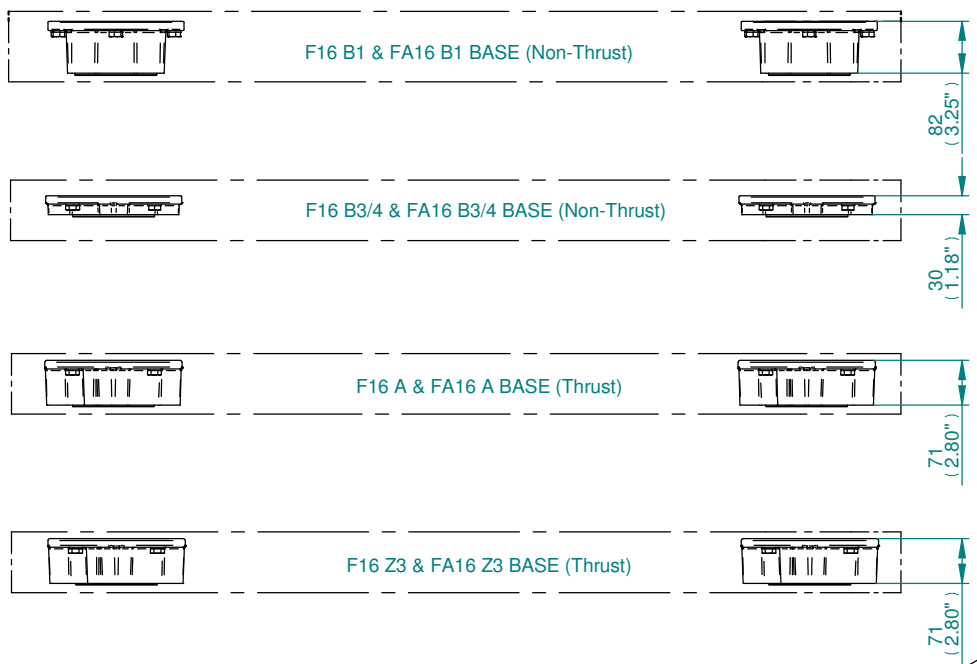
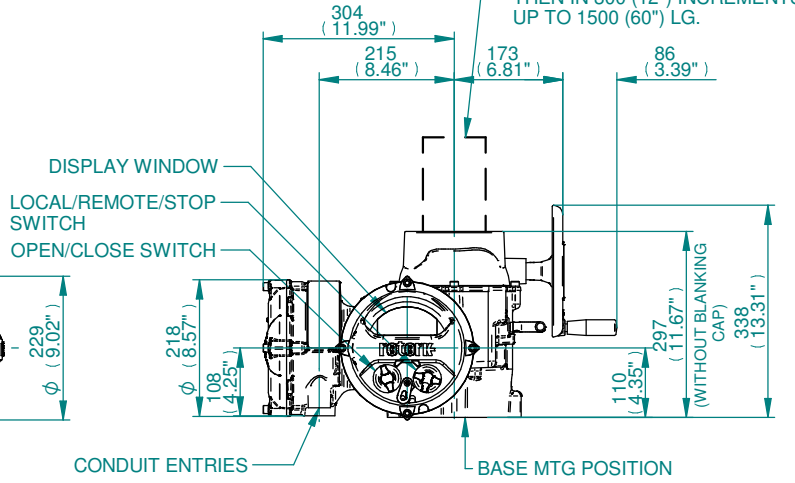
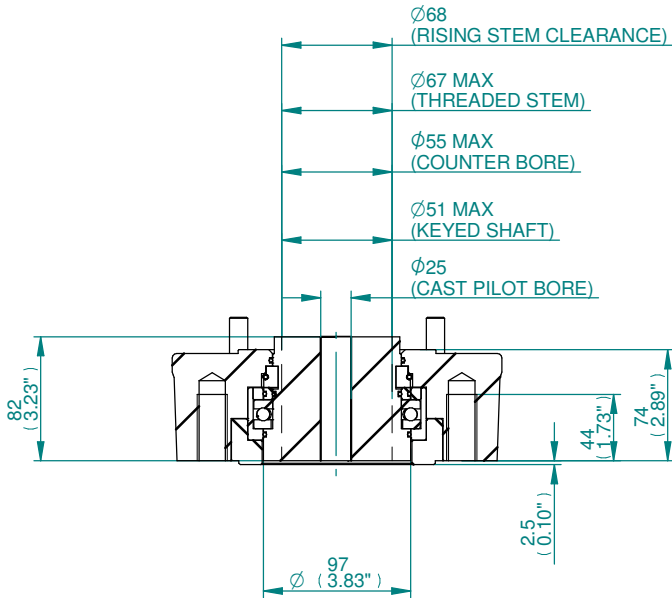


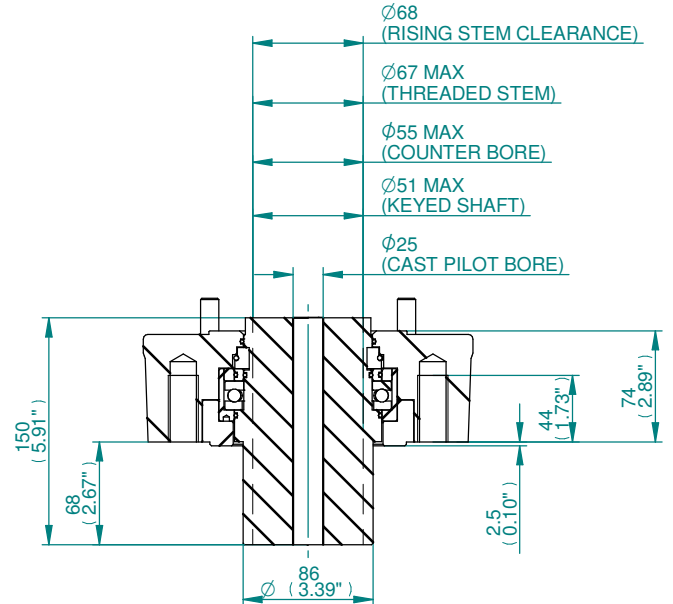
COVER TUBE SUPPLIED IN 150 (6") & 300 (12") LGTH'S THEN IN 300 (12") INCREMENTS UP TO 1500 (60") LG.



- NOTES**
- FOUR BASE OPTIONS ARE DETAILED TO SUIT THE RELEVANT COUPLING ARRANGEMENT.
 - THE REQUIRED BASE FOR THE SIDE & END VIEWS SHOULD BE LOADED TO MTG POSITION INDICATED.
 - **1 REMOVAL ALLOWANCE REQUIRED.

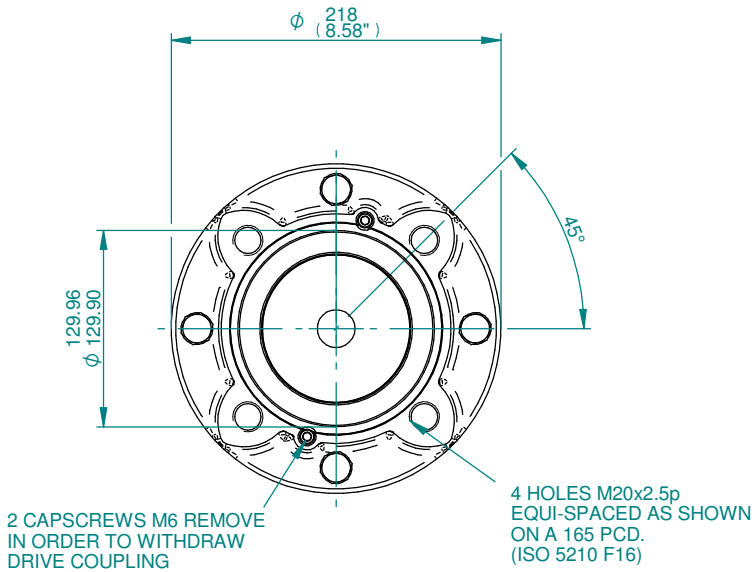


TYPICAL 'A' COUPLING DETAILS

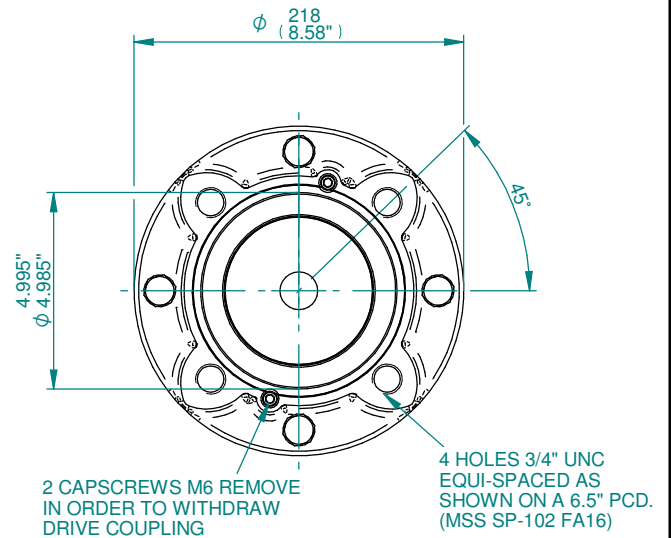


TYPICAL 'Z3' COUPLING DETAILS

NOTE : COUPLINGS WITHOUT PILOT BORE AVAILABLE IF SPECIFIED WITH ORDER.

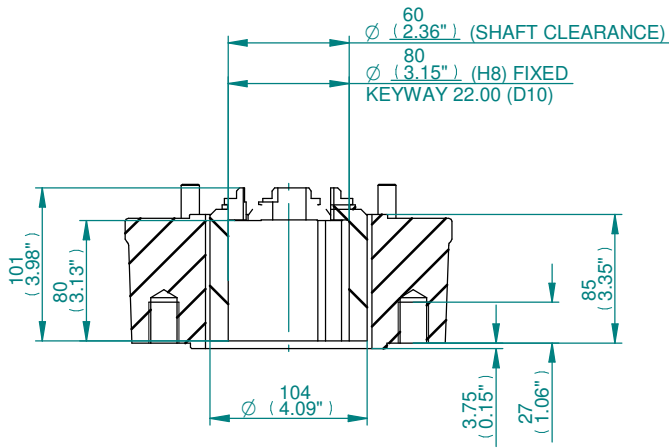


F16 BASE DETAILS FOR 'A' & 'Z3' COUPLINGS

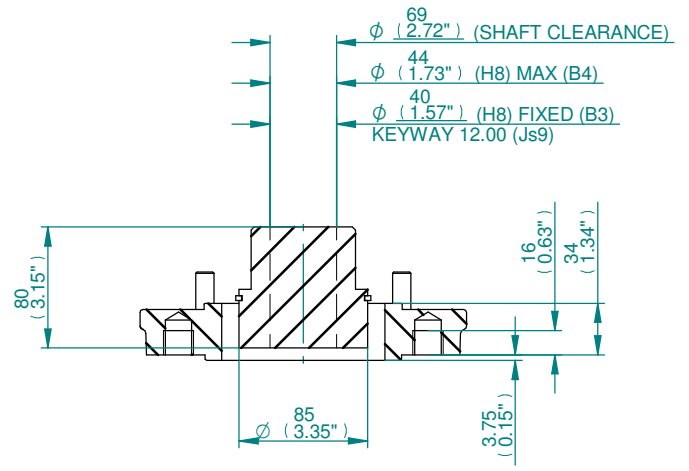


FA16 BASE DETAILS FOR 'A' & 'Z3' COUPLINGS

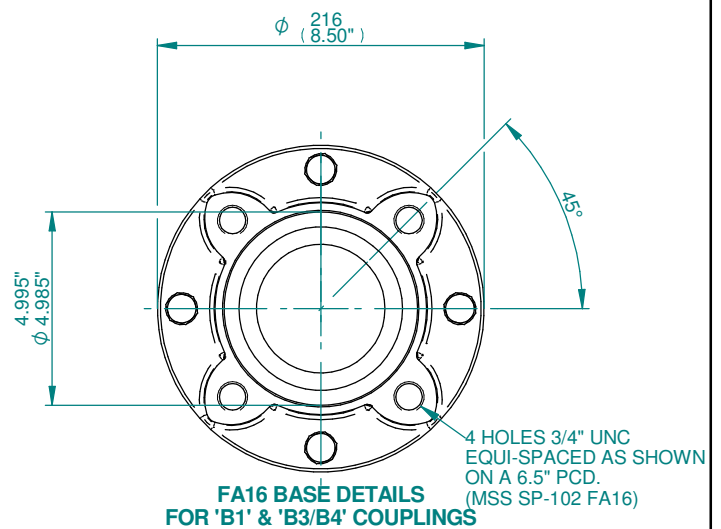
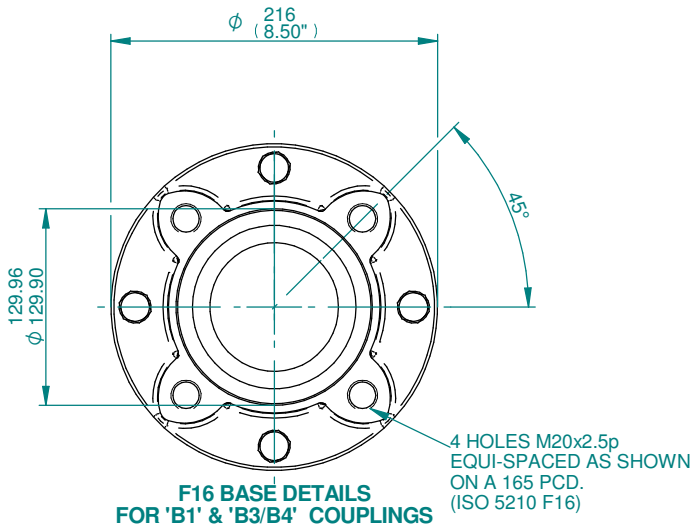
IQ3 SIZE 35 THRUST BASES



TYPICAL 'B1' COUPLING DETAILS



TYPICAL 'B3/B4' COUPLING DETAILS



IQ3 SIZE 35 NON-THRUST BASES