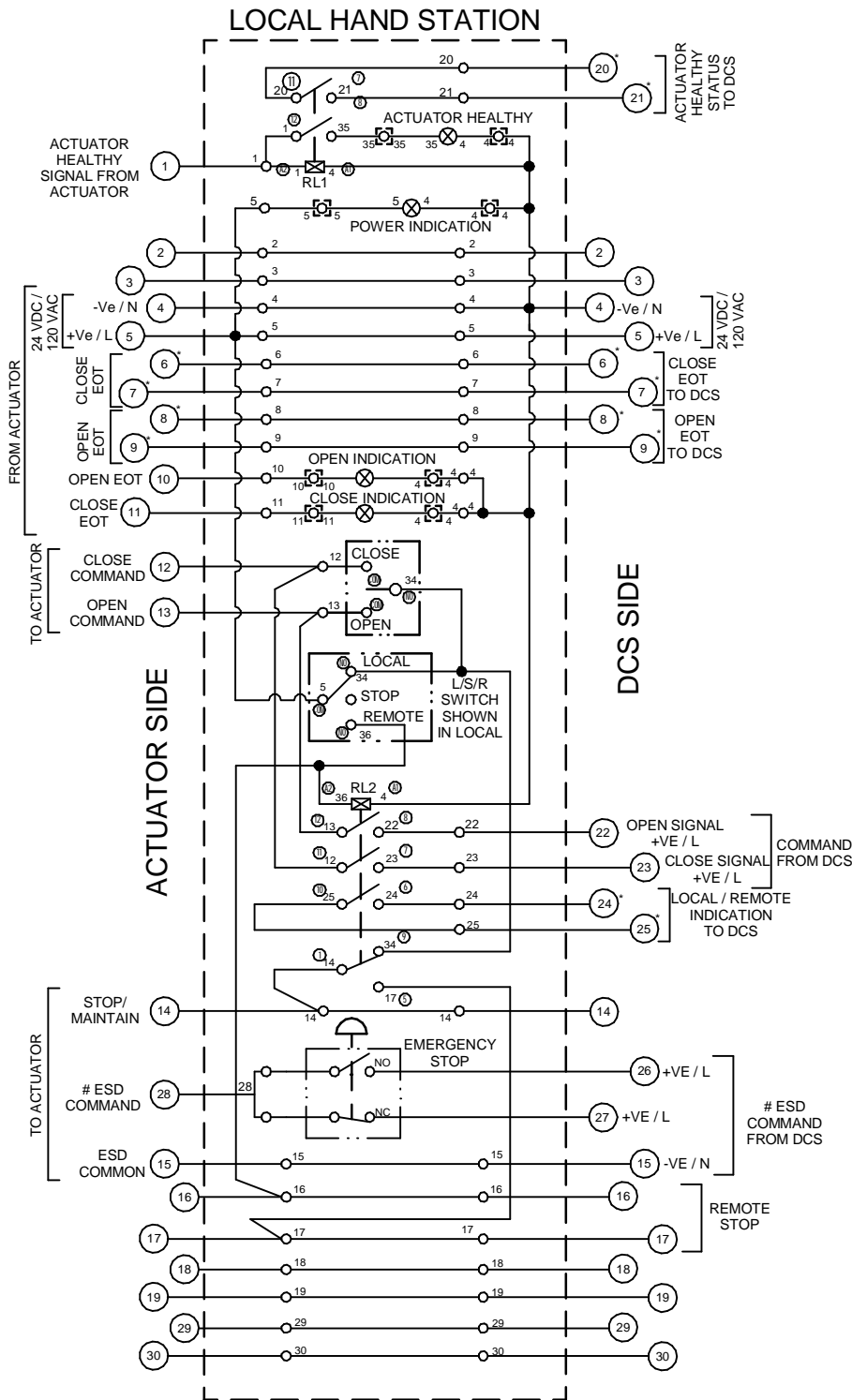


	1		2		3		4
02	-	DAB	DAB	20-06-13	REMOTE STOP FUNCTION INTRODUCED		
01	-	DAB	DAB	20-06-13	FIRST ISSUE		
Rev	ECN	Revised	Rev. Approved	Date	Change Description		



NOTES:

1. ACTUATOR MUST BE IN REMOTE MODE FOR OPERATION FROM LOCAL HAND STATION OR DCS
2. IF L/S/R SWITCH IS IN LOCAL THE CONTROL WILL BE FROM LOCAL HAND STATION.
3. 2,3,14,18,19,29 & 30 ARE SPARE TERMINALS
4. TERMINAL BLOCK CONTACTS 8mm
5. RELAY TERMINAL NOS.
6. EOT - END OF TRAVEL TERMINAL
7. * POTENTIAL FREE TERMINALS. CONTACT RATING 24 VDC / 120 VAC 5A MAX.
8. POWER CONSUMPTION FOR ALL TERMINALS MUST BE BELOW 5 W
9. # CONNECT THROUGH 26 FOR NO TYPE ESD OR CONNECT THROUGH 27 FOR NC TYPE ESD. DO NOT USE BOTH 26 AND 27.
10. REFER ACTUATOR WIRING DIAGRAM FOR OPEN / CLOSE SIGNAL AND ESD COMMAND VOLTAGE LEVELS

Template Issue : 2020-06-12 CK

rotork Chennai - India
www.rotork.com

© 2020 Rotork Group of Companies. All rights reserved. This document and its contents may not be reproduced, distributed, transmitted, displayed, published, or broadcast, in whole, or in part, without the prior, express written permission of Rotork Group of Companies.

Created			DAB	2019-06-13	Title		LHS WIRING DIAGRAM	
Checked			DAB	2019-06-13	Drawing Number		LHS - 0001	
Approved			DAB	2019-06-13	Rev		02	
Size						A4		Sheet 1 of 1