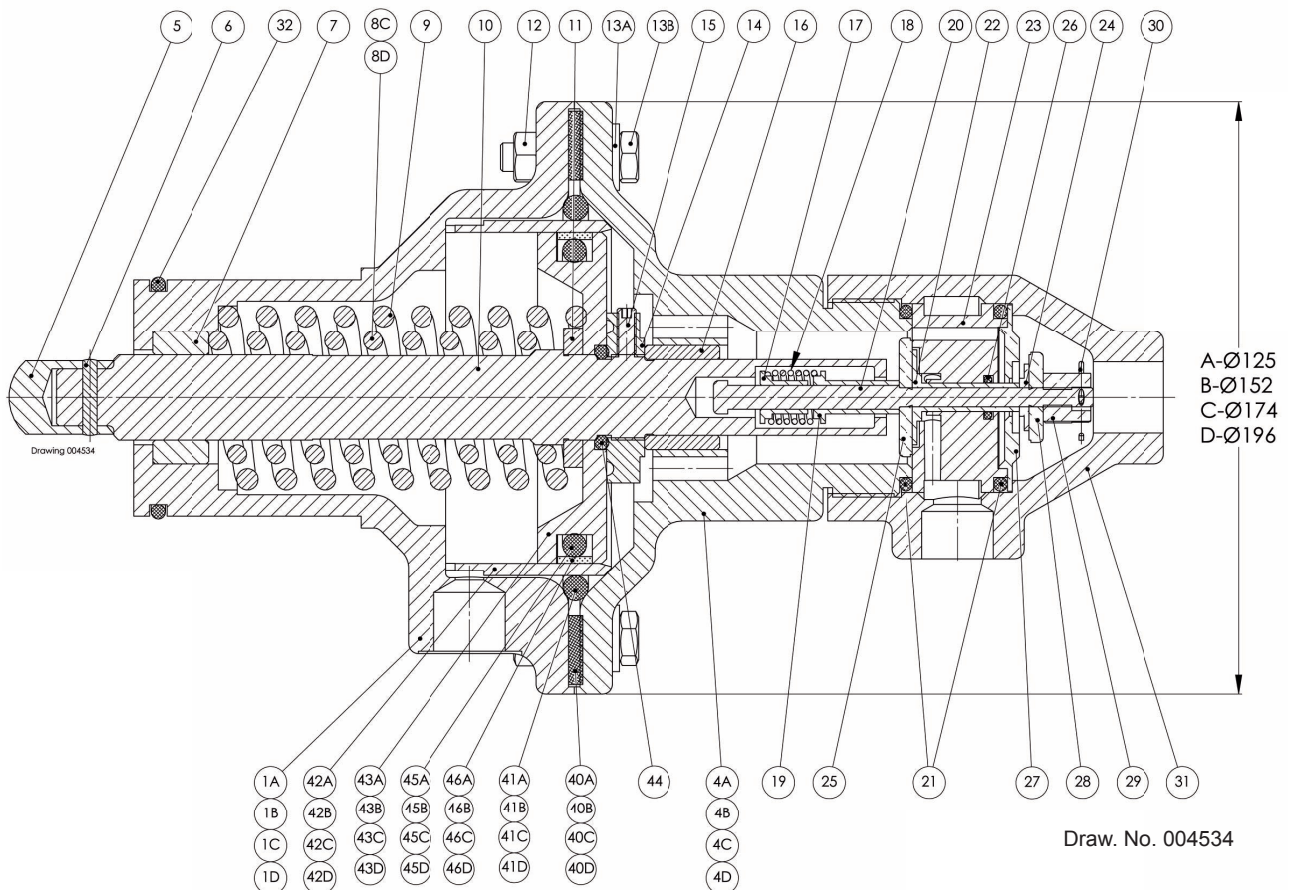


Twin Power

Pneumatic multi-turn actuators for all type of valves

Spare part list 7:S - Piston Motor



**KOLVMOTOR - PISTON MOTOR - KOLBENMOTOR - MOTEUR DE PISTON
TWIN POWER 114 & 214**

Det. No.	Art. No.	Number				Benämning	Denomination	Bezeichnung	Designation
		A	B	C	D				
1A	402113	1				Främre membranhus	Front diaphragm casing	Vorderes Membrangehäuse	Enveloppe antérieure de membrane
1B	402114		1			"	"	"	"
1C	402115			1		"	"	"	"
1D	402116				1	"	"	"	"
4A	402121	1				Bakre membranhus	Back diaphragm casing	Hinteres Membrangehäuse	Enveloppe postérieure de membrane
4B	402122		1			"	"	"	"
4C	402123			1		"	"	"	"
4D	402124				1	"	"	"	"
5	401400	1	1	1	1	Anslag	Stop	Anschlag	Butée
6	401417	1	1	1	1	Räffelpinne	Grooved pin	Kerbstift	Clavette cannelée
7	401152	1	1	1	1	Lager	Bearing	Lager	Palier
8	401153			1	1	Returfjäder	Return spring	Rückzugfeder	Ressort de retour
9	401154	1	1	1	1	"	"	"	"
10	402630	1	1	1	1	Axel	Shaft	Welle	Arbre
11	402128	1	1	1	1	Bricka	Washer	Unterlagscheibe	Rondelle
12	401158	8	8	8	8	Mutter	Nut	Mutter	Écrou

Det. No.	Art. No.	Number				Benämning	Denomination	Bezeichnung	Designation
		A	B	C	D				
13	503120	8	8	8	8	Skruv	Screw	Schraube	Vis
13	259311	8	8	8	8	Bricka	Washer	Unterlagscheibe	Rondelle
14	401161	1	1	1	1	Mutter	Nut	Mutter	Écrou
15	401162	1	1	1	1	Stoppskruv	Set screw	Hemmschraube	Vis d'arrêt
16	401163	1	1	1	1	Lager	Bearing	Lager	Palier
17	401115	1	1	1	1	Hylsa	Case	Hülse	Douille
18	401116	1	1	1	1	Snäppfjäder	Snap spring	Schnappfeder	Ressort d'arrêt
19	401117	1	1	1	1	Hylsa	Case	Hülse	Douille
20	401118	1	1	1	1	Axel	Shaft	Welle	Arbre
21*	401119	2	2	2	2	O-ring	O-ring	O-ring	Joint torique
22	401121	1	1	1	1	Hylsa	Case	Hülse	Douille
23	401122	1	1	1	1	Ventilkropp	Valve box	Ventilkörper	Chapelle de soupape
24	401123	1	1	1	1	Bricka	Washer	Unterlagscheibe	Rondelle
25*	401124	1	1	1	1	Ventiltallrik	Valve disc	Ventilteller	Corps de soupape
26*	401126	1	1	1	1	O-ring	O-ring	O-ring	Joint torique
27*	401128	1	1	1	1	Säte	Seating	Sitz	Surface d'obturation
28*	401129	1	1	1	1	Ventiltallrik	Valve disc	Ventilteller	Corps de soupape
29	401131	1	1	1	1	Mutter	Nut	Mutter	Écrou
30*	401132	1	1	1	1	Saxpinne	Split pin	Splint	Coupille fondue
31	402129	1	1	1	1	Ventilhus	Valve casing	Ventilgehäuse	Lanterne de soupape
32*	401165	1	1	1	1	O-ring	O-ring	O-ring	Joint torique
40A*	401167	1				Packning	Packing	Packung	Garniture
40B*	401168		1			"	"	"	"
40C*	401169			1		"	"	"	"
40D*	401170				1	"	"	"	"
41A*	401171	1				O-ring	O-ring	O-ring	Joint torique
41B*	401172		1			"	"	"	"
41C*	401173			1		"	"	"	"
41D*	401174				1	"	"	"	"
42A*	402210	1				Foder	Liner	Futter	Manchon
42B*	402211		1			"	"	"	"
42C*	402212			1		"	"	"	"
42D*	402213				1	"	"	"	"
43A*	402218	1				Kolv	Piston	Kolben	Piston
43B*	402219		1			"	"	"	"
43C*	402220			1		"	"	"	"
43D*	402221				1	"	"	"	"
44*	401129	1	1	1	1	O-ring	O-ring	O-ring	Joint torique
45A*	401181	1				O-ring	O-ring	O-ring	Joint torique
45B*	401182		1			"	"	"	"
45C*	401183			1		"	"	"	"
45D*	401184				1	"	"	"	"
46A*	401189	1				Mantelring	Piston ring	Kolbenring	Bague de pistons
46B*	401190		1			"	"	"	"
46C*	401191			1		"	"	"	"
46D*	401192				1	"	"	"	"

*Complete set of packings include item No. 21, 25, 26, 27, 28, 30, 32 and item No. 40 to 46

Art. No. 402626 A-motor / Viton Art. No. 402901
 Art. No. 402627 B-motor / Viton Art. No. 402667
 Art. No. 402628 C-motor / Viton Art. No. 402902
 Art. No. 402629 D-motor / Viton Art. No. 402642

