

RCEL003

Electric Actuators

Instruction

Installation

1. Mounting on valve, see instruction A.
2. Electric wiring, see instruction B.
3. Adjusting, see instruction C.
4. Manual operation, see instruction D.

Note:

Only electric wiring, according to instruction B, is required when the actuator is delivered from Remote Control mounted on a valve. It is adjusted and ready for operation.

WARNING!



Remove power before the cover is dismantled! The actuator must be handled with the utmost care when the cover is removed and the power is connected.

A. MOUNTING ON VALVE

1. Operate the valve manually to fully open or fully closed position before the actuator is mounted.
2. Operate the actuator manually (see D) to fully open or fully closed position.
3. Check that the actuator and valve stem are in correct position. Please note, valve and actuator must be in the same mode (fully open / fully closed) prior to the assembly.
4. Mount the actuator on the valve and check that the actuator and valve stems are centered and aligned. If a mounting bracket is used, the fit must be checked so that no distortion or play exists.
5. Operate the valve manually with the aid of allen key (see D) and check that the valve moves with normal resistance.
6. Check that all screws are correctly tightened.

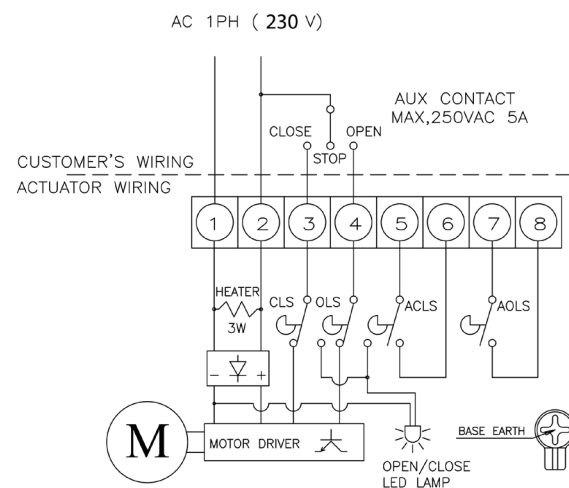
B. ELECTRIC WIRING

Note:

Electric wiring must be carried out by qualified personnel only!

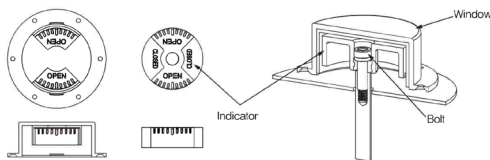
1. Loosen the screws on the cover and lift it off.
2. Check the voltage marked on the actuator label.
3. Connect according to the enclosed wiring diagram or, if the actuator is of standard design, according to the wiring diagram below. The wiring diagram is drawn in unaffected position (the valve in intermediate position).
4. Test run the actuator from the intermediate position checking that the actuator turns in the correct direction.
5. Test run the actuator and check that the limit switches work correctly.
6. Check that the cable entries and possible blind plug are sealed.
7. Mount the cover.

Wiring diagram No. SU12000A



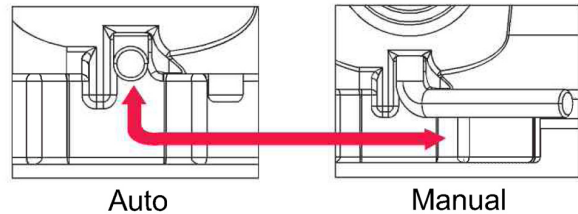
C. ADJUSTING

1. Make the final cam adjustments for the limit switches (if necessary) according to instruction (a) below.
2. Run the actuator from one end position to the other a number of times.
3. Adjust the indicator for visual indication so that it relates to the valve position. by loosening the bolt and turning the indicator to the proper position, then retightening the bolt.
4. Test run the actuator and check that the limit indicators are working correctly.
5. Mount the cover.



D. MANUAL OPERATION

1. Pull the Auto-Manual selector lever to Manual position
2. Take the attached 6mm Allen key mounted underside the actuator.
3. Insert the 6mm Allen key and turn the valve to the required position.
4. Turn clockwise to close and anti-clockwise to open.
5. Put allen key back in the holder after manual operation.
6. Pull the Auto-Manual selector to Auto position.



(a) Adjustment of cams for limit switches:

1. Operate the actuator manually to closed position.
2. Adjust the cams for closed position (lower cam) marked CLS and 3:rd cam marked ACLS on the electronic card.
3. Operate the actuator manually to open position.
4. Adjust the cams for open position (upper cam marked OLS and 2:nd cam marked AOLS) on the electronic card.
5. Test run the actuator.

