

# RCEL005L/009L SCP

## Electric actuator Fail to position

## Technical Data



RCEL005L/RCEL009L Type

- Housing in anodized aluminum alloy with powder coating (Polyester, TGIC-Free) for corrosion protection.
- The enclosure is rated IP67 and sealed with o-rings. It enables actuators to be installed outside. (IEC IP67, NEMA 4 and 6)
- 5W space heater is provided to protect internal components from condensation.
- The gears are self-locking mechanically.
- Included with the end of travel motor switches are two additional dry-contacts for auxiliary indication.
- 3 ISO mounting pads are provided for greater flexibility. (ISO5211)
- RCEL005SCP are operated by the power of super capacitor in case of power failure.
- Depending on user's requirement the actuator can stay put or be driven to open or closed position.
- LED indicator for super capacitor charging status.

### Standard Specification

Indicator	Dome type (No LED Light)
Ambient temperature	-20°C to 70°C
Limit switches	2 Open/Close + Dry contact 2 Open/Close
Manual operation	By L-wrench (6mm hexagon)
Space heater	5W
Lubrication	Shell Gadus S2 V220 2
Surface treatment	Anodizing
Enclosure	Weatherproof enclosure IP67 Nema 4 and 6
Power supply	90V AC~ 260V 50/60Hz / 24V DC / 48V DC
Travel angle	90° ± 5°
Self locking	Provided by means of worm gearing
Cable entries	A cable gland is provided
Consist of Materials	Steel, Aluminum alloy, bronze
External coating	Polyester (TGIC-free)

### Performance

Model	Output Torque		Operating Time (90°) sec	Rated Current (A)				Motor Class (W) DC Motor	Number of Handle Turns	Weight kg
	Kg.m	N.m		24V DC	48V DC	110V	220V			
RCEL005L	5	50	8	2.25	1.2	0.8	0.51	15	6	4.3
RCEL009L	9	90	13	2.25	1.2	0.8	0.51	15	4.5	4.3

## Built in Super Capacitor Specification

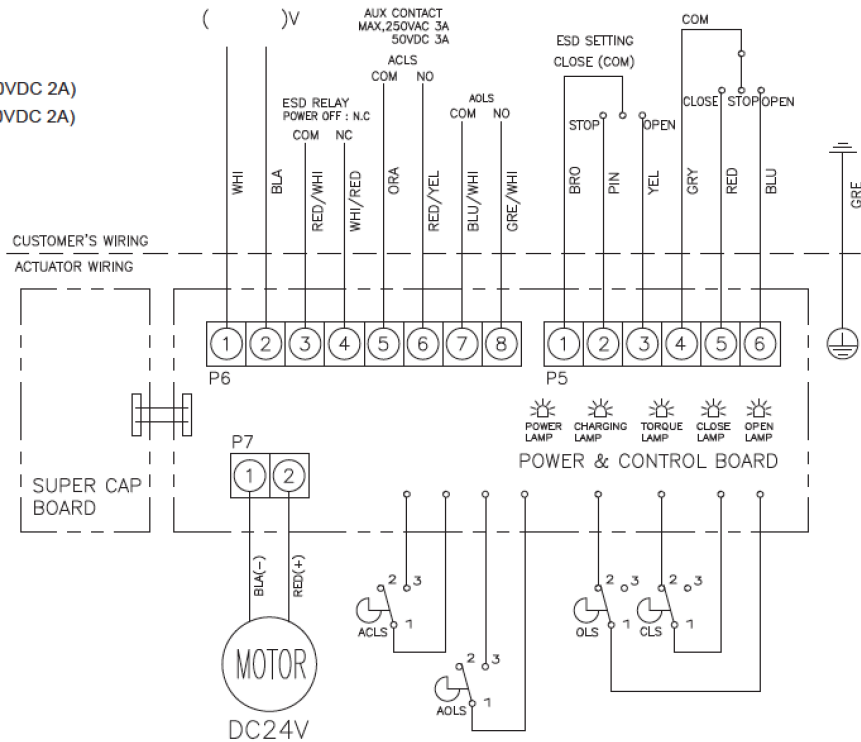
Number of Emergency Operating	1 travel (Open to Close or Close to Open)	Charging Current	24V DC	2.4A
Charging Voltage	26.5V		48V DC	1.3A
Charging Time	24V/48V DC: 2 min and 15 sec 110/220V AC: 4 min and 30 sec		110V AC	1A
			220V AC	0.6A



Charge the super capacitor before use. If the capacitor is not fully charged, emergency operating is not available.

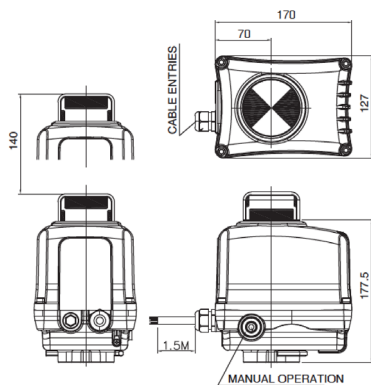
## Standard Wiring

CLS : Close Limit Switch (250VAC 3A)  
OLS : Open Limit Switch (250VAC 3A)  
ACLS : Aux Close Limit Switch (250VAC 3A / 30VDC 2A)  
AOLS : Aux Open Limit Switch (250VAC 3A / 30VDC 2A)  
TP : Thermal Protector

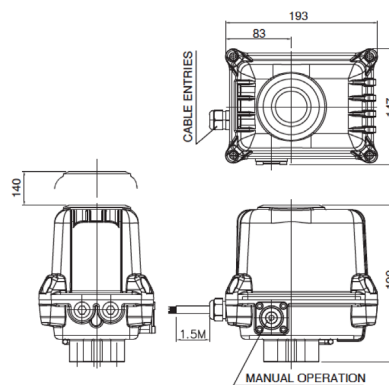


## Dimension

RCEL005L, RCEL009L



RCEL005X, RCEL009X



BASE (OPTION)

