

RCEL006-028 SCP

Electric actuator Fail to position

Technical Data



- Housing in anodized aluminum alloy with powder coating (Polyester, TGIC-Free) for corrosion protection.
- The enclosure is rated IP67 and sealed with O-rings. It enables actuators to be installed outside. (IEC IP67, NEMA 4 and 6)
- 20W space heater is provided to protect internal components from condensation.
- The gears are self-locking mechanically.
- Torque switches (Open/Close) are provided (except RCEL006 & 009) to protect the actuator and its application electrically and mechanically from overload.
- RCEL006-028 SCP are operated by the power of super capacitor in case of power failure.
- Depending on user's requirement the actuator can stay put or be driven to open or closed position.
- LED indicator for super capacitor charging status.

Standard Specification

Enclosure	IP67 Nema 4 and 6
Ambient Temperature	-20°C to +70°C
Power Supply	90V ~ 260V 50/60Hz / 24V DC / 48V DC
Torque Switches	2 Open / Close (Except RCEL006 & 009)
Limit Switches	2 Open / Close, 250V AC 15A Rating
Stall Protection	Built - in Thermal Protection
Travel Angle	90° ± 5°
Indicator	Continuous Position Indicator
Manual Override	Hand / Auto Decutching Mechanism
Self-Locking	Provided by means of Worm Gearing
Mechanical Stops	External Adjustable Screws
Space Heater	20W
Cable Entries	M20x1.5
Lubrication	Shell Gadus S2 V220 2
Material	Aluminium
Surface Treatment	Anodizing
External Coating	Polyester(TGIC-Free)

Performance

Model	Output Torque		Operating Time/90° Sec	Rated Current (A)				Motor Class (W) DC Motor	Number of Handle Turns	Weight kg
	Kg.m	N.m		24V DC	48V DC	110V	220V			
RCEL006	6	60	15	3.0	1.0	0.6	0.3	15	8.5	13.5
RCEL009	9	90	17	4.5	2.1	0.8	0.37	25	8.5	13.5
RCEL015	15	150	17	3.6	1.4	1.0	0.43	40	10	16
RCEL019	19	190	19	4.5	1.7	1.0	0.43	40	10	16
RCEL028	28	280	22	11.0	4.2	2.25	1.13	40	12.5	18.5

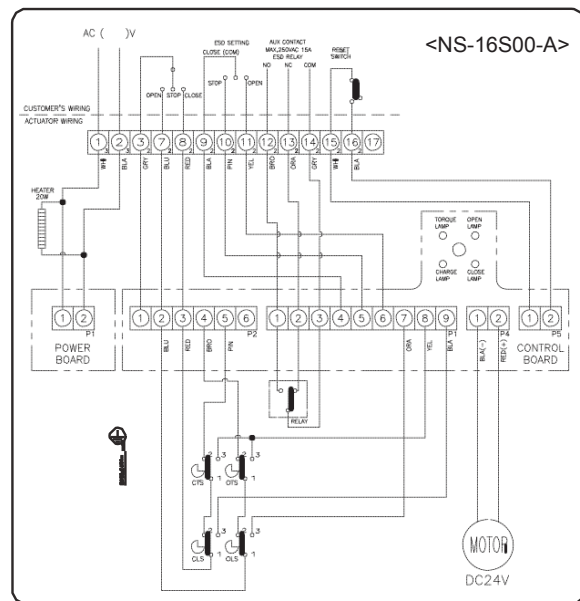
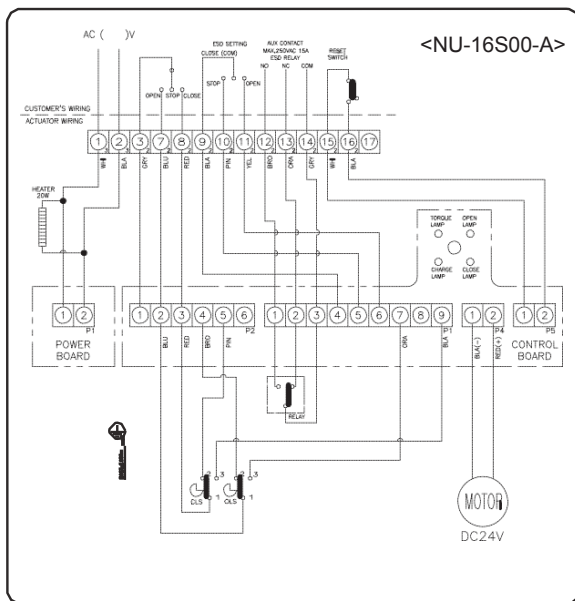
Built in Super Capacitor Specification

Power Supply	24V DC, 48V DC, 90V ~ 260V AC 50/60Hz		Number of Emergency Operations	1 travel (Open to Close or Close to Open)		
Charging Voltage	26.5V		Charging Current	RCEL006-019	24V, 48V DC	8.4A
Charging Time	RCEL006-019	3 min 30 sec		110V AC	1.1A	
	RCEL028	2 min		220V AC	0.45A	
Weight (capacitor)	0.7kg			RCEL028	24V, 48V DC	8.4A
				110V AC	2.2A	
				220V AC	1.1A	

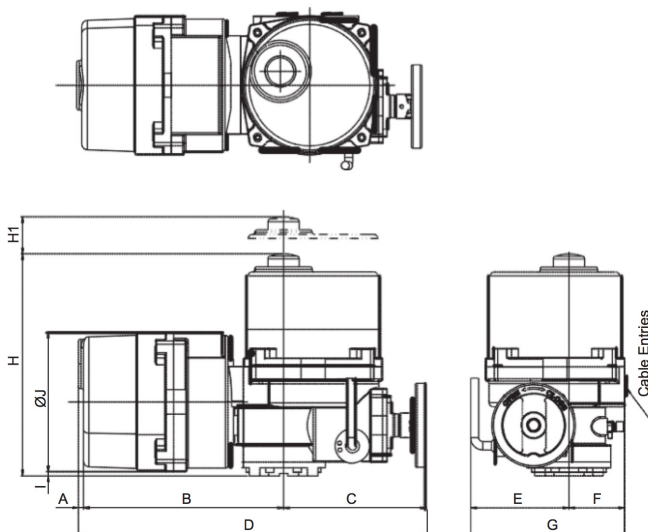


Charge the super capacitor before use. If the capacitor is not fully charged, emergency operating is not available.

Standard Wiring



Dimension



	RCEL006	RCEL009	RCEL015	RCEL019
A	6		6	
B	244		265	
C	174		184	
D	424		455	
E	120		139	
F	68		85	
G	188		224	
H	270		274	
H1	108		108	
I	5		5	
ØJ	170		170	
Base ISO5211	F07 Ø70 / 4-M8 DP12 MAX Ø22		F07 Ø70 / 4-M8 DP12 F10 Ø102 / 4-M10 DP15 MAX Ø22	
Cable Entries	M20x1.5			

We reserve the right to
make changes without notice

