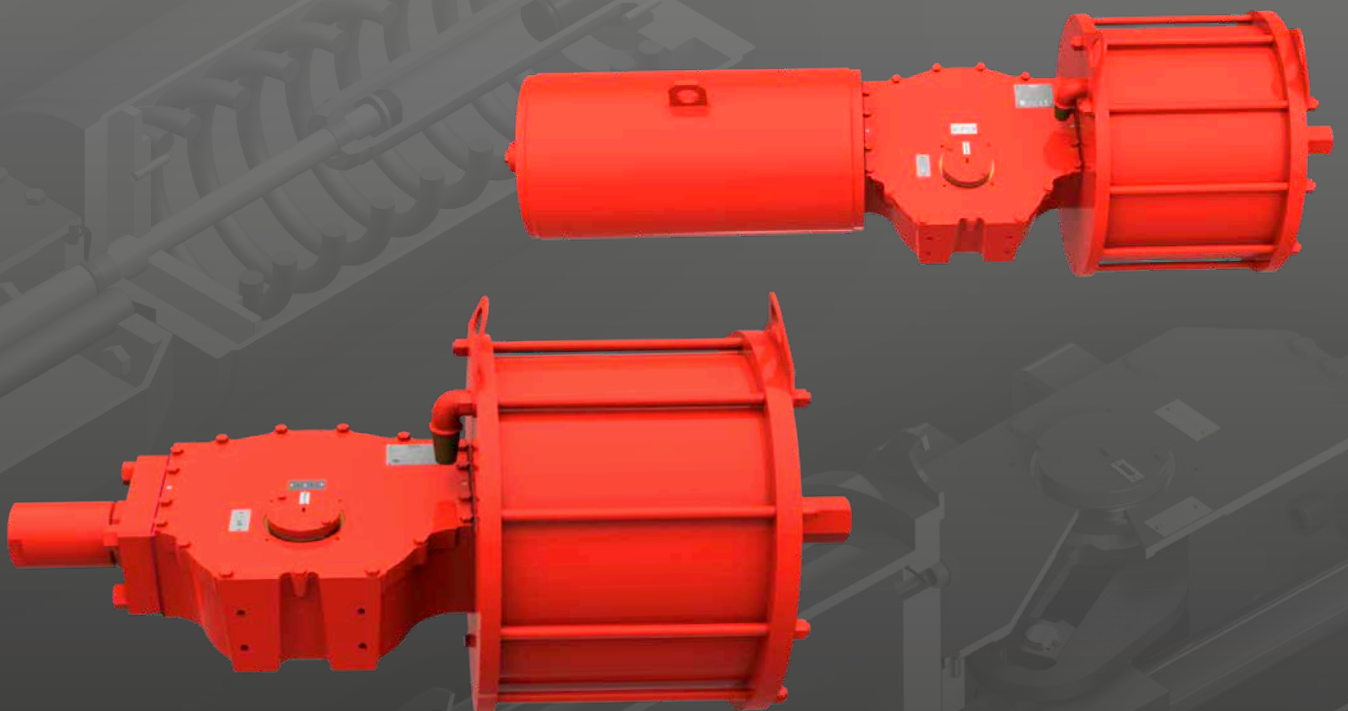


rotork[®]

Keeping the World Flowing
for Future Generations

GP Range

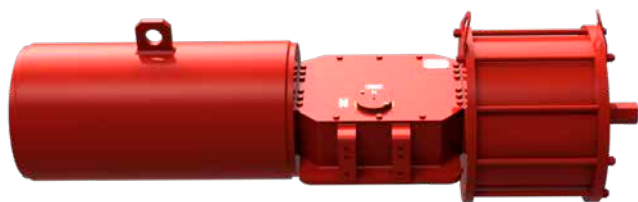
Pneumatic Actuator
Single-Acting and Double-Acting Configuration



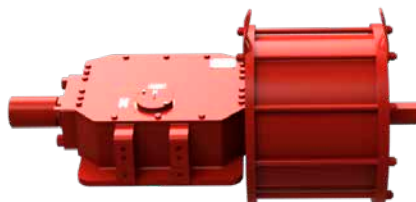
Installation, Commissioning and Maintenance Manual

Contents

Section	Page	Section	Page
1. Introduction	3	11. Removal from Valve	11
2. Standards and Regulations	3	12. Operation	12
3. General Information	4	12.1 Description	12
4. Health and Safety	4	12.2 Operating Description	14
4.1 Residual Risks	4	12.3 Manual Override	14
4.2 Thermal Risks	4	12.4 Mechanical Manual Override Single-Acting Actuator	15
4.3 Noise	4	12.5 Mechanical Manual Override Double-Acting Actuator	16
4.4 Health Risks	4	12.6 Hydraulic Manual Override for Single- and Double-Acting Actuators	16
4.5 Mechanical Risks	4	12.7 Angular Stroke Setting	17
4.6 Magnetic Risks	5	12.8 Pneumatic Power Supply	27
5. Labels and Nameplates	5	12.9 Pneumatic Connections	27
6. Operating Limits	6	12.10 Electrical Connections	28
6.1 Allowed Fluid Types	6	12.11 Start Up	28
6.2 Expected Lifetime	6	13. Dismantling and Disposal	29
6.3 Tightening Torque Chart	6	14. Rotork Sales and Service	29
7. Handling and Lifting	7	15. Troubleshooting	30
7.1 Lifting Recommendations	7	16. Periodic Maintenance	31
7.2 Lifting Instructions	7	17. Part List	64
8. Storage	9	18. Grease and Hydraulic Oil Specification	77
9. Long Term Storage	9	18.1 Grease	77
10. Installation on Valve	10	18.2 Hydraulic Oil	78
10.1 Preliminary Actions	10		
10.2 Instructions	10		



Single-acting actuator with welded body



Double-acting actuator with welded body

This manual contains important safety information. Please ensure it is thoroughly read and understood before installing, operating or maintaining the equipment.

Due to wide variation in the terminal numbering of actuator products, actual wiring of this device should follow the print supplied with the unit.

Rotork reserves the right to modify, amend and improve this manual without notice.

1. Introduction

This manual covers maintenance aspects and instructions specific to the GP range of actuators. General information on Rotork actuators are described in the User Manual, delivered separately.

In this manual, warning indications are represented by icons, according to ISO 7010 Safety Signs:



Generic danger



Hand crush/pinch point



Electrocution



Explosive material

Customer Service

For technical assistance, please contact
Rotork Customer Service:

E-mail: rfs.international@rotork.com

Rotork, Via Padre Jacques Hamel, 138B, Porcari,
Lucca, 55016, IT. Tel: +39 0583-222-1

Rotork plc, Brassmill Lane, Bath, UK. Tel +44 (0)1225 733200

2. Standards and Regulations

Actuators destined for European member states have been designed, built and tested according to the Quality Control System, in compliance with the EN ISO 9001:2015 standard and with the following regulations/directive.

- 2006/42/EC: Machinery Directive
- 2014/68/EU: Pressure Equipment Directive (PED)
- 2014/34/EU: Directive for safety equipment and systems to be used in potentially explosive atmospheres (ATEX)
- 2014/30/EU: Electromagnetic Compatibility Directive
- EN ISO 12100: Machinery Safety Directive
- EN 60079-14: Explosive atmospheres - Part 14: Electrical installations design, selection and erection
- ISO 80079-36: Non-electrical equipment for explosive atmospheres - Basic method and requirements
- EN 1127-1: Explosive atmospheres – Explosion prevention and protection
- ISO 80079-37: Non-electrical equipment for explosive atmospheres - Non-electrical type of protection construction safety "c", control of ignition sources "b", liquid immersion "k"
- UNI EN ISO 7010: Safety Signals
- EN13445: Unfired Pressure Vessels

3. General Information

This manual is produced to enable a competent user to install, operate and maintain the Rotork GP Actuator Single- and Double-acting (GP/S and GP/D).

The mechanical installation must be carried out as outlined in this manual and in accordance with any relevant national standard codes of practice.

Maintenance and operation must be carried out in accordance with the National Legislation and Statutory Provisions relating to the safe use of this equipment, applicable to the site of installation.

Any inspection or repair in a Hazardous Area must not be undertaken unless it conforms to National Legislation and Statutory Provisions relating to the specific Hazardous Area.

Only Rotork approved replacement parts should be used. Under no circumstances should any modification or alteration be carried out on the equipment, as this could invalidate the conditions under which its certification was granted.

Only trained and experienced operators can install, maintain and repair Rotork Actuators. Work undertaken must be carried out in accordance with instructions in this manual. The user and those persons working on this equipment must be familiar with their responsibilities under any statutory provisions relating to the Health and Safety of their workplace.

Operators must always wear appropriate Personal Protection Devices (PPDs) in line with the existing plant regulations.

Appropriate Usage

Rotork GP range actuators have been specifically developed to motorize quarter-turn valves, such as ball valves, butterfly valves or plug valves installed on pipelines for oil & gas transport and distribution.

⚠ Improper use can damage the equipment or cause dangerous situations for health and safety. Rotork declines any responsibility for damage to people and/or objects resulting from the use of the equipment for applications different from those described in the present manual.

4. Health and Safety

Before installing the equipment, verify it is suitable for the intended application. If unsure consult Rotork.

4.1 Residual Risks

Residual risks resulting from equipment risk evaluation performed by Rotork.

4.2 Thermal Risks

Risk	Hot/Cold surface during normal operation (RES_01).
Preventive measures	Operators should wear protective gloves.

4.3 Noise

Risk	Noise >85 dB during operation (RES_05).
Preventive measures	Operators should wear ear protections. Operators should not stand near the equipment during operation.

4.4 Health Risks

Risk	Pressurised fluid ejection during normal operation (RES_02).
Preventive measures	All fittings must be properly sealed. All fixing clamps must be correctly tightened and sealed.
Risk	Risk of intoxication (according to the type of medium utilised) (RES_06).
Preventive measures	Operators must use P.P.Ds and any other equipment (breathing apparatus) based on the type of supply medium.

4.5 Mechanical Risks

Risk	Uncontrolled movement (remote operation) (RES_03). (This risk is applicable only for actuators provided with control panel).
Preventive measures	Assure that the actuator can not be operated remotely. Prior to starting, remove pneumatic supply, vent all pressure vessels, and remove electrical power.
Risk	Presence of moving parts (centre body, valve adapter) (RES_04)
Preventive measures	Do not perform start-up or test the actuator if the cylinder tube is removed.
Risk	Loss of stability with possible parts projection (RES_08).
Preventive measures	Do not disassemble the actuator in case of malfunctioning. Follow instructions in the present manual and contact Rotork.

4. Health and Safety

Preventive measures	Foresee periodic maintenance procedure to verify tightening.
Risk	Presence of potential energy (RES_10) during dismantling.
Preventive measures	Do not disassemble the actuator during dismantling. Follow instructions in the present manual and contact Rotork.

4.6 Magnetic Risks

Risk	Risk of magnetic field/disturbance and exothermic reactions.
Preventive measure	The End User shall assure that actuator and its components are installed far from magnetic field, electro-magnetic field, radioactive source, electroacoustic transducer which could modify its behaviour. (This mitigation is applicable only for actuators provided with control panel). Avoid maintenance operations with acid/basic solutions.

5. Labels and Nameplates

The following label is applied externally to the actuator:

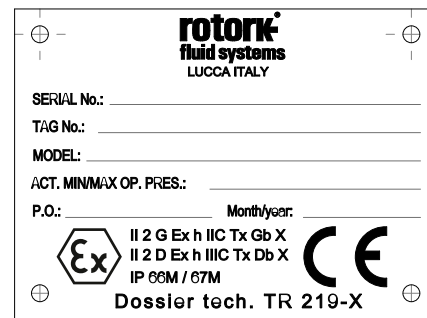


Fig 5.1 Actuator label

The TX surface temperature class is not provided since the actuator has no internal heat source. Maximum actuator temperature is near the environmental or exercise fluid temperature, whichever is the greater. Normal operating temperature range is -30 to +100 °C. Temperature range is specified within the project specific technical documentation. Special applications out of previous range are available upon request.

ATEX plate does not indicate the maximum environmental and/or exercise fluid temperature; this information is reported within the project specific technical documentation.

For CE (PED) marked actuator the following label is also used:

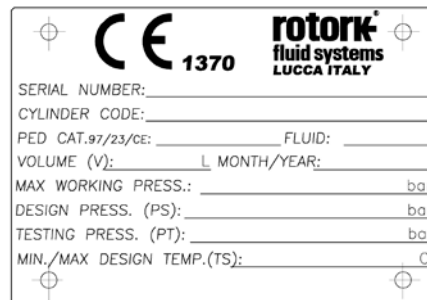


Fig 5.2 Actuator PED label

Label removal is not allowed.

6. Operating Limits

- Temperature: -30 to +100 °C for standard applications
-20 to +100 °C for PED applications
-40 to +100 °C for low temperature application
-60 to +100 °C for ultra-low temperature application
- Design pressure: up to 12 barg. See RFS doc TR-579, available upon request
- Operating pressure: See RFS doc TR-579, available upon request

⚠ Do not use the equipment outside its operating limits. Verify operating limits on the nameplate.

Prevent external surface temperature to reach the ignition point in potentially explosive environments.

The actuator surface temperature is strictly dependent on the temperature of the process fluid used and by the irradiation's conditions. The end-user must check the surface temperature of the assembly, so that this cannot go over the minimum gas ignition's temperature, which classifies the area with the explosion's risk.

Dust and debris accumulated on the actuator will slow down its cooling and contribute to the increase of its external temperature.

6.1 Allowed Fluid Types

The pneumatic actuator is designed to be operated with Gas, Instrument air with particles filtering $\leq 40 \mu\text{m}$ (Class 7 according ISO 8573-1, table 1), pressure dew point $\leq -20^\circ\text{C}$ (Class 3 according ISO 8573-1, table 2), total concentration of oil $\leq 5 \text{ mg/m}^3$ (Class 4, according ISO 8573-1, table 3); if not differently specified in specific project documentation.

⚠ Do not use the actuator in presence of naked flames.

6.2 Expected Lifetime

Expected Lifetime greater than 25 years, in normal service conditions and with planned maintenance.

6.3 Tightening Torque Chart

RECOMMENDED TIGHTENING TORQUE (Class 8.8 bolts)		
Bolt Size	Nm	Ft. Lbs
M6	8.5	6
M8	20	15
M10	40	30
M12	55	40
M14	110	81
M16	220	162
M20	430	317
M22	425	313
M24	585	431
M27	785	579
M30	1250	921
M33	1400	1030
M36	1750	1290
M48	5000	3688
M64	9200	6786

7. Handling and Lifting

⚠ Only trained and experienced personnel should handle/lift the actuator.

The actuator is supplied packed on pallets suitable for normal handling.

⚠ Handle the actuator with care. Never stack pallets.

7.1 Lifting Recommendations

- The lifting device and the sling must be suitably rated for the actuator weight and dimensions
- Do not use damaged sling(s)
- The sling must not be shortened with knots or bolts or any other makeshift device
- For lifting purposes, use only suitable lifting tools
- Do not drill holes, weld eye bolts or add any other type of lifting device on the actuator external surface
- Do not lift the actuator and valve combination with the actuator lifting lugs
- Every assembly must be estimated separately for a safe and correct lifting
- Avoid pulls or abrupt movements during lifting. Avoid pushing the load
- During lifting operations, do not handle the slings and/or the actuator

⚠ Do not step underneath suspended load.

7.2 Lifting Instructions

Note: Indication of weight, centre of gravity, lifting points are reported within specific project documentation.

For non-horizontal actuator orientation, please consult project specific documentation before lifting.

- Prior to lifting the actuator, remove electrical power and vent all pressure vessels (if present)
- In case of single-acting actuator, hook the double chain slings on the lifting lugs, as shown in Fig 7.1.
- In case of double-acting actuator, hook a double chain sling on the lifting lug on the pneumatic cylinder and a textile sling on the centre body closure flange as shown in Fig 7.2.

⚠ The actuator must remain horizontal; balance the load.

- Angle β must be between 0° and 45° as shown below.

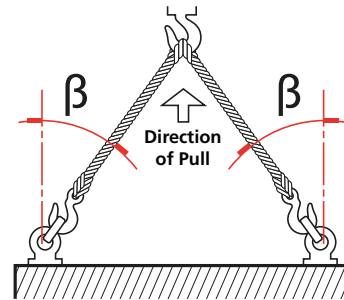


Fig 7.1 Lifting (single-acting actuator up to size 161)

7. Handling and Lifting

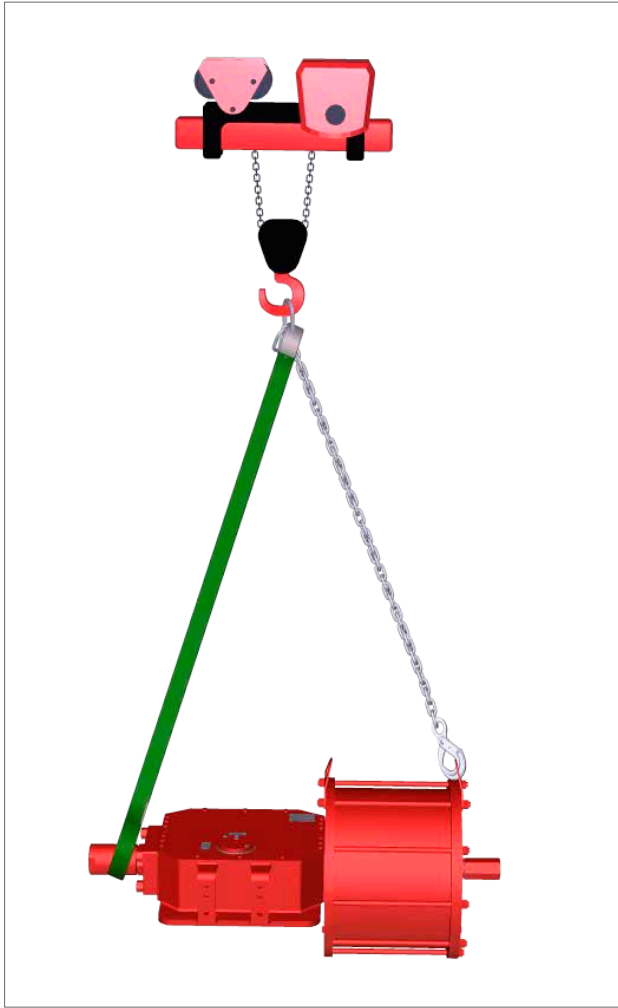


Fig 7.2 Lifting (double-acting actuator up to size 161)

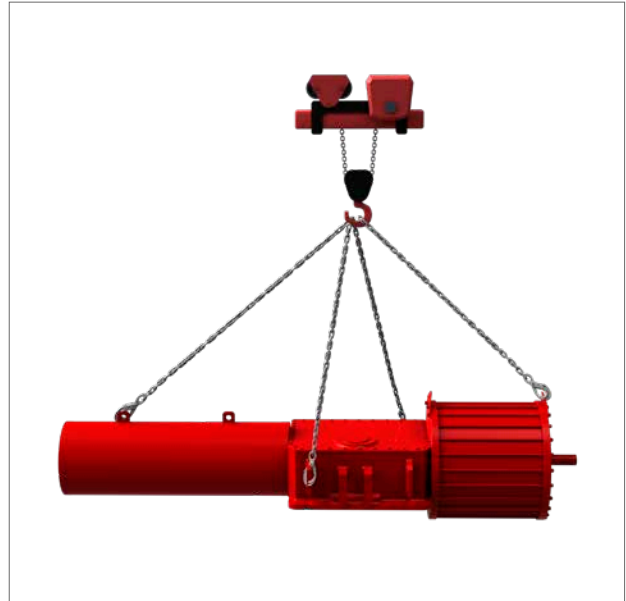


Fig 7.3 Lifting (single-acting actuator size 200 - 350)



Fig 7.4 Lifting (double-acting actuator size 200 - 350)

8. Storage

Rotork actuators have been fully tested before leaving the factory.

In order to keep the actuator in good condition until installation, at least the following measures are recommended:

- Check presence and assembling of dust plugs
- Keep the actuator on shipping pallet until installation

⚠ Never put the actuator directly on the ground.

- Actuator must be positioned with the centre body cover upwards
- Protect the valve coupling area (adapter flange and coupling joint, etc.) with rust preventive oil e.g. Mobilarma LT or equivalent
- Protect against weather action, covering the actuators with appropriate polyethylene sheets
- Check the actuator condition every six months and verify the above protection measures remain in place

⚠ Remove package only at the installation time.

⚠ Actuator vent ports must be protected with polyethylene sheet to prevent water ingress during storage.

9. Long Term Storage

If long term storage is necessary, further operations must be carried out to maintain the actuator in a good working condition:

- Replace the plastic plugs with metal plugs
- Stroke the actuator every 12-months:
 - Cycle the actuator (using filtered, dehydrated air) to the working pressure indicated on the name plate
 - Cycle the actuator with all the existing controls (i.e. two complete strokes - one open, one closed) at least five times
 - Cycle the actuator fitted with the mechanical manual override or hydraulic manual override by means of the override for four complete strokes
- Disconnect the pneumatic and electric (if present) supply from the actuator, and carefully close all the threaded connections of the actuator
- Remove electrical components covers (if present) to ensure control terminals are clean and free from oxidation and humidity. Reassemble the covers
- In case of storage for over 12 months prior to installation, it is recommended to operate the actuator to verify correct operation

10. Installation on Valve

Before proceeding, read and understand the Health and Safety information.

Note: The valve must be properly secured prior to performing the following operations per instructions provided by the Valve's Manufacturer.

⚠️ Prior to performing any operations check the operating drawings and TAG numbers.

Consult Rotork for any additional information.

10.1 Preliminary Actions

⚠️ Verify the ATEX classification of the actuator is compatible with the plant zoning. Refer to actuator nameplate.

- The centreline of the cylinder is usually aligned to the centreline of the associated pipe work
- Ensure all fasteners are adequately tightened, to avoid loosening during operation, considering the vibrations induced by the dynamics of the pipeline
- Piping used to provide power to the actuator must be free from contaminants and debris. Ensure tubing runs are adequately fastened and supported to minimise repetitive stress induced the dynamics of the pipeline. Ensure there are no leaks from any gas connections. Tighten as required.

10.2 Instructions

The actuator assembly on valve can be performed by:

- Mounting directly using the actuator housing flange with threaded holes
- Using an adapter and a coupling joint between the actuator and the valve

The assembly position of the actuator must be in accordance with the actuator design, plant requirements and the valve model.

To assemble the actuator onto the valve, proceed as follows:

- Verify the coupling dimensions of the valve flange and stem; they must meet the actuator coupling dimensions (See document PUB083-001)
- Actuator is supplied in the fail position (for single-acting). Set the valve in the right position per the actuator fail position. Check the position of the actuator by means of the position indicator on the centre body or on the limit switch box (if present)
- Clean the coupling flange of the valve and remove anything that might prevent adherence to the actuator flange. Grease shall be completely removed
- Inspect, clean and apply grease on the coupling hole (valve side of coupling joint)

- Lubricate the valve stem with oil or grease, to facilitate assembling
- Lift the actuator according to Handling and Lifting instructions (section 7)
- If possible, place the valve stem in a vertical position to facilitate assembling – in this case the actuator must be lifted while the coupling flange is kept in the horizontal position
- If the assembly is done using an adapter and a coupling joint, assemble the coupling joint onto the valve stem before proceeding with the assembly of the actuator
- Do not exert any force while lowering the actuator onto the valve

Installation must be performed by qualified personnel.

⚠️ Hands must be kept away from the coupling area.

- Fix the actuator to the valve by means of threaded connections (bolts, stud bolts and nuts)
- Tighten bolts or nuts of the connecting stud bolts to the correct torque, in accordance with the size and material characteristics of the bolts installed by the customer

⚠️ Support the actuator until fully installed and fixing bolts are correctly tightened.

⚠️ Attention: Do not pressurise the actuator/valve adapter.

- Check for possible damage to the paint-work and repair if necessary, according to painting specification

11. Removal from Valve

The End user is in charge of removing the actuator from the valve.

⚠ Removal shall be performed only by qualified staff, wearing/using appropriate personal protection devices.

⚠ Do not remove the actuator if the valve is blocked in the intermediate position. Contact Rotork Customer Service.

To disassemble the actuator from the valve, proceed as follows:

- Cut off electrical power supply
- Cut off pneumatic/hydraulic supply
- Release any pressure from the control group
- Remove the supply pipes from the actuator
- Remove control and signal lines from electric components (if any)
- Sling the actuator in line with Handling and Lifting instructions (section 7)
- Unscrew bolts or nuts from the stud bolts fixing the actuator to the valve
- Lift and remove the actuator from the valve



Fig 11.1 Actuator/valve assembling example

12. Operation

The following instructions must be followed and integrated into End User safety program when installing and using Rotork products. Read and save all instructions prior to installing, operating and servicing this product.

Follow all warnings, cautions and instructions marked on and supplied with the product.

Install equipment as specified in Rotork installation instructions and as per applicable local and national codes of practice. Connect all products to the proper pipeline gas sources.

When replacement parts are required, ensure that the qualified service technician uses only replacement parts specified by Rotork.

Substitutions will invalidate any hazardous area certification and may result in fire, electrical shock, other hazards or improper operation.

12.1 Description

The GP/S series actuators are pneumatic single-acting – spring return actuators specifically designed to provide efficiency and reliability in heavy duty services.

GP/S actuators can be assembled in a 'spring to open' or in a 'spring to close' version and can be fitted with an emergency manual override suitable to operate the actuator in the event of fluid supply failure.

Main components of a GP/S actuator are:

- A **scotch-yoke mechanism**, which transforms the linear movement of the pneumatic cylinder into a rotary movement suitable for operating quarter-turn valves, such as ball valves, butterfly valves or plug valves. It is available in both "symmetric" and "canted" execution to meet application specific valve torque demand requirements.

The scotch-yoke mechanism is situated in a perfectly sealed housing, made of welded carbon steel or in cast iron, acting as a protection against corrosion and that guarantees safety of personnel during the operations.

Chromium plated guide bar suitable for supporting the transverse forces and ensure the proper alignment of the piston rod. The chromium plating prevents corrosion and minimizes sliding friction.

Sliding blocks and yoke bushings are made of bronze to reduce friction and to guarantee a long working life.

- A **pneumatic cylinder**, made of carbon steel.

The cylinder tube is nickel plated internally by electrolysis, to assure perfect dynamic seal, corrosion resistance and low friction.

The piston is made of carbon steel. The dynamic floating piston seal further reduces friction and avoids stick-slip effect even after prolonged periods without operation. The sliding ring made of Teflon guides the piston in the cylinder and ensure a good radial loading capacity.

A chromium plated piston rod ensures a perfectly dynamic seal, corrosion resistance and low friction.

The dynamic cylinder seals are specifically designed to enable the use without lubrication.

- The **spring cartridge** (only for single-acting actuator), consisting of a welded container containing a frame assembled spring package that prohibits the spring from extending beyond a pre-set length.
- Two mechanical **stop bolts** to enable the adjustment of valve angular stroke.
- A **mechanical visual position indicator** directly connected to the valve stem that shows the position of the valve all along the actuator stroke.

Upon request, GP series actuators can be equipped with additional accessories (limit switches box, positioner, position transmitter, control panel, etc.)

Use only control devices supplied by Rotork.

⚠ Installation of any accessory on the bare actuator must preserve the actuator Ingress Protection level.

12. Operation

The main components of GP/S actuators are shown in Fig 12.1, Fig 12.2 and Fig 12.3.

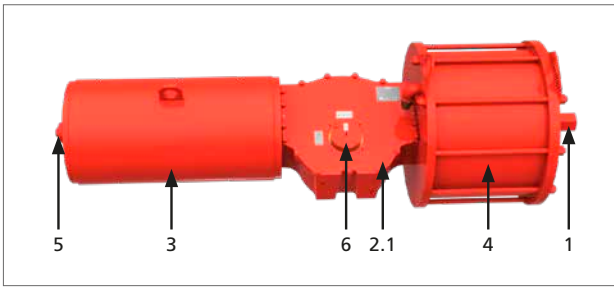


Fig 12.1 GPIS (cast body) main components

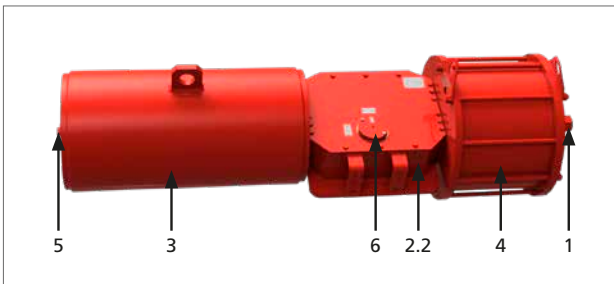


Fig 12.2 GPIS (welded body) main components

Table 1: GPIS Parts list

IT	DESCRIPTION	QTY
1	Mechanical stop bolt	1
2.1	Centre body (cast iron)	1
2.2	Centre body (welded)	1
3	Spring cartridge	1
4	Cylinder tube	1
5	Mechanical stop	1
6	Mechanical Visual Indicator	

The GP/D series actuators are pneumatic double-acting actuators specifically designed to provide efficiency and reliability in heavy duty services.

Actuator general features are the same of the single-acting version, except the spring canister that is replaced by the centre body closure group.

Main components of a GP double-acting actuator are:

- A **scotch-yoke mechanism**, which transforms the linear movement of the pneumatic cylinder into a rotary movement suitable for operating quarter-turn valves, such as ball valves, butterfly valves or plug valves. It is available in both "symmetric" and "canted" execution to meet application specific valve torque demand requirements.

The scotch-yoke mechanism is situated in a perfectly sealed housing, made of welded carbon steel or in cast iron, acting as a protection against corrosion and that guarantees safety of personnel during the operations.

Chromium plated guide bar suitable for supporting the transverse forces and ensure the proper alignment of the piston rod. The chromium plating prevents corrosion and minimizes sliding friction.

Sliding blocks and yoke bushings are made of bronze to reduce friction and to guarantee a long working life.

- A **pneumatic cylinder**, made of carbon steel.

The cylinder tube is nickel plated internally by electrolysis, to assure perfect dynamic seal, corrosion resistance and low friction.

The piston is made of carbon steel. The dynamic floating piston seal further reduces friction and avoids stick-slip effect even after prolonged periods without operation. The sliding ring made of Teflon guides the piston in the cylinder and ensure a good radial loading capacity.

A chromium plated piston rod ensures a perfectly dynamic seal, corrosion resistance and low friction.

The dynamic cylinder seals are specifically designed to enable the use without lubrication.

- Two mechanical **stop bolts** to enable the adjustment of valve angular stroke.
- A **mechanical visual position indicator** directly connected to the valve stem that shows the position of the valve all along the actuator stroke.

12. Operation

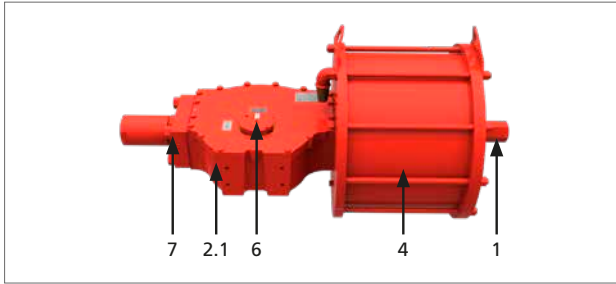


Fig 12.3 GPID (cast body) main components

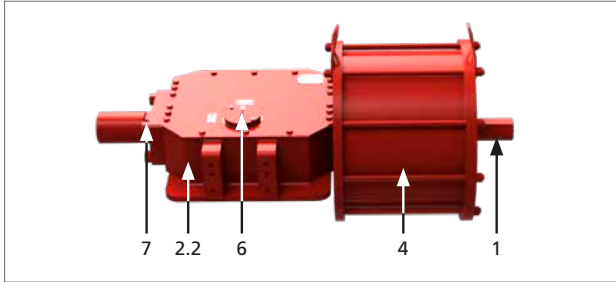


Fig 12.4 GPID (welded body) main components

Table 2: GPID Parts list

IT	DESCRIPTION	QTY
1	Mechanical stop bolt	1
2.1	Centre body (cast iron)	1
2.2	Centre body (welded)	1
4	Cylinder tube	1
6	Mechanical Visual Indicator	1
7	Centre body closure flange	1

12.2 Operating Description

Please refer to the Operating Diagram supplied for the specific actuator.

In case of use of GP/D actuators in SIL applications the System Integrator must fulfil all requirements reported in par. 11.2.11 of standard IEC61511-1.

⚠ Do not use the actuator outside $90^\circ \pm 5^\circ$ operating range.

12.3 Manual Override

The GP series can be fitted with an emergency manual override suitable to operate the actuator in the event of fluid supply failure.

This device can be of mechanical screw type operated by means of a handwheel, or of hydraulic type, with a hydraulic cylinder operated using a hydraulic hand pump.

⚠ A maximum operating time of the manual override of 24 hours, for maintenance or testing, is recommended.

Note: The use of manual override is not recommended in SIL applications. If it is necessary, strictly follow instructions reported in the following paragraphs.

Before operating the mechanical manual override, ensure that the cylinder is not pressurised and that the actuator is in the fail position, then proceed as indicated in the following paragraphs.

Important: It is recommended to regularly clean the "M" jackscrew and grease it afterwards. Use a Molykote HSC PLUS grease.

⚠ After each use, verify that the manual override has been disengaged before returning to remote operation

The manual override can be of mechanical type or hydraulic type.

12. Operation

12.4 Mechanical Manual Override Single-Acting Actuator

The mechanical manual override can be of three types:

- Type M: With a visible jackscrew
- Type MH: With a jackscrew with protection pipe
- Type MHD: With a jackscrew with protection pipe and a declutch able handwheel

Type M mechanical manual override

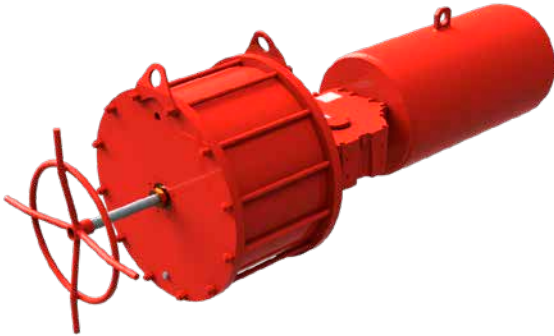


Fig 12.5 Type M mechanical override

Type MH mechanical manual override

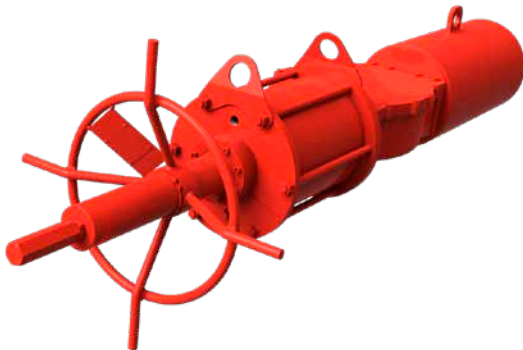


Fig 12.6 Type MH manual override

Fail to close, single-acting actuator:

- Rotate the handwheel counter-clockwise to open the valve

Fail to open, single-acting actuator:

- Rotate the handwheel clockwise to close the valve

Instructions to engage or disengage the override are reported on the plate installed on manual override:



Fig 12.7 Type MH manual override plate

⚠ Before re-starting the actuator with air supply, rotate the jackscrew again to set the actuator in its original position.

Type MHD mechanical manual override

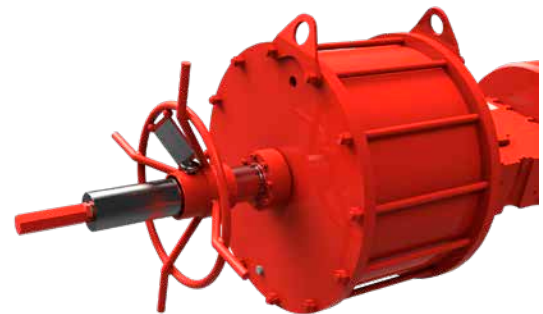


Fig 12.8 Type MHD manual override

- ENGAGE PROCEDURE: Pull disengaging knob and handwheel at the same time; rotate the handwheel until the manual override gets engaged
- DISENGAGE PROCEDURE: Pull disengaging knob and push the handwheel, at the same time

When the manual override is disengaged, the handwheel operation is neutral and the actuator can be operated pneumatically.

12. Operation

Instructions to engage or disengage the override are reported on the plate installed on manual override:

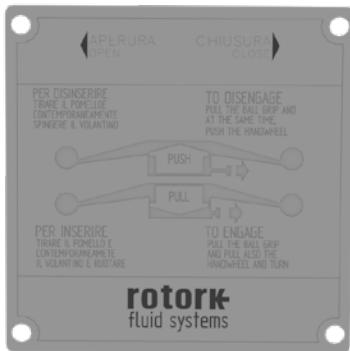


Fig 12.9 Instructions plate for MHD manual override

Fail to close, single-acting actuator:

- Rotate the handwheel counter-clockwise to open the valve

Fail to open, single-acting actuator:

- Rotate the handwheel clockwise to close the valve

⚠ Before re-starting the actuator with air supply, rotate the jackscrew again to set the actuator in its original position.

12.5 Mechanical Manual Override Double-Acting Actuator

The mechanical manual override is type MD: manual handwheel declutch able.

Type MD mechanical manual override

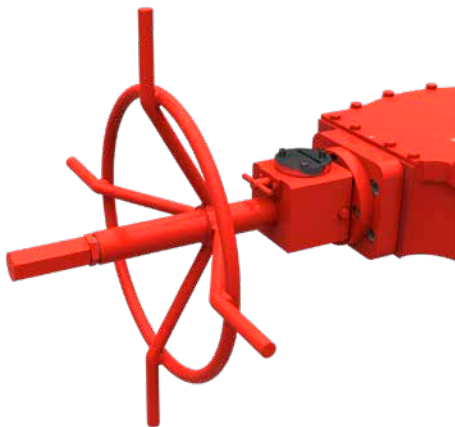


Fig 12.10 Type MD Mechanical Override

- ENGAGE: rotate lever (7) by 180°
- DISENGAGE: rotate back lever (7) by 180°

When the manual override is disengaged, the handwheel operation is neutral and the actuator can be operated pneumatically.

Instructions are reported on the plate installed on manual override:



Fig 12.11 Instructions plate for MD manual override

- Rotate the handwheel counter-clockwise to open the valve
- Rotate the handwheel clockwise to close the valve

12.6 Hydraulic Manual Override for Single- and Double-Acting Actuators

For the hydraulic manual override installation and operation procedures refer to PUB016-004-00.

⚠ After each use, verify that the manual override has been disengaged.

12. Operation

12.7 Angular Stroke Setting

⚠️ Certain valves incorporate their own stops. For such valves, it is recommended that the actuator stop bolt positions coincide with the valve stop position.

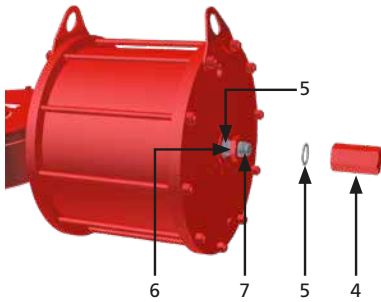
Contact the valve manufacturer to set the valve mechanical stops.

⚠️ An incorrect setting of angular stroke could cause damages to actuator, valve and/or to personnel.

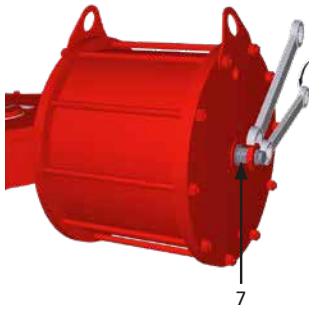
12.7.1 Single-Acting Actuator, Cylinder Stop Bolt Setting

Perform the following operations as first setting.

Adjust the stop bolt located in the end flange of the cylinder as follows:



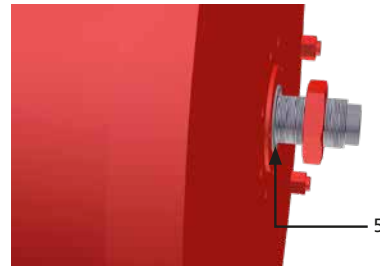
- A. Verify the absence of pressure
- B. Remove cap nut (4) and seal washer (5)
- C. Loosen stop nut (6) and seal washer (5)
- D. Slowly pressurise the cylinder to detach stop bolt from piston



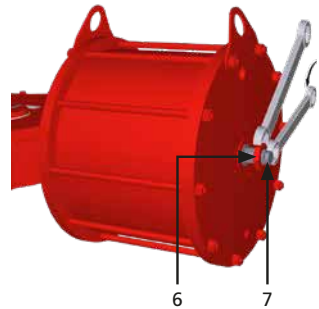
- E. Hold stop nut (6) with a wrench
- F. With the help of a suitable size wrench, rotate the stop bolt (7) counter clockwise to increase the angular stroke
- G. Remove the pressure
- H. Verify the newly obtained angular position with one stroke
- I. Repeat operations A to H, until the desired angle is obtained



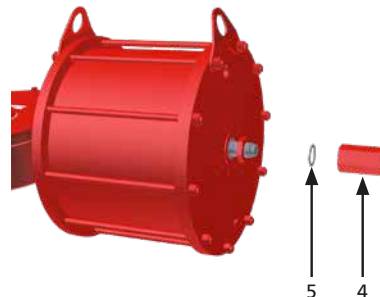
- J. With the help of a suitable size wrench, rotate the stop bolt (7) clockwise to decrease the angular stroke
- K. Remove the pressure
- L. Verify the newly obtained angular position with one stroke
- M. Repeat operations A to E and J to L, until the desired angle is obtained
- N. Re-position the seal washer (5) between flange and the stop nut (6)



- O. Hold the stop bolt (7) with a wrench and carefully tighten the stop nut (6)



- P. Re-position the seal washer (5) and verify it is correctly positioned. Tighten cap nut (4)



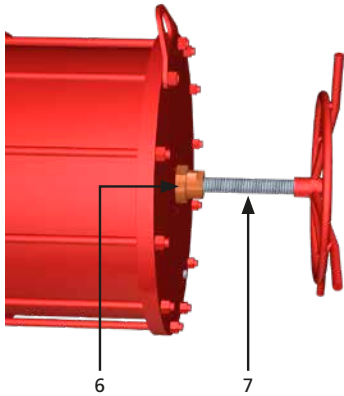
12. Operation

12.7.2 Single-Acting Actuator with M Type Manual Override, Cylinder Stop Bolt Setting

Perform the following operations as first setting.

Adjust the setting dowel located in the manual override as follows:

- A. Ensure the jackscrew override is in a fully retracted position by rotating the handwheel clockwise
- B. Verify the absence of pressure
- C. Loosen stop nut (6)
- D. Slowly pressurise the cylinder until setting dowel (7) is free to rotate



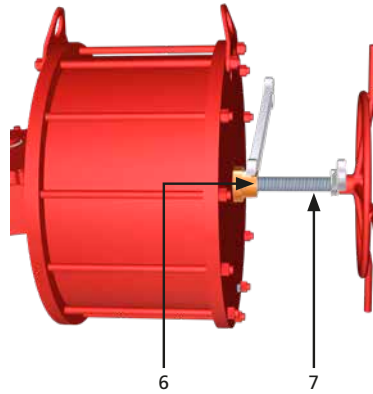
- E. To increase angular stroke, rotate setting dowel (7) anti-clockwise
- F. Remove pressure
- G. Verify the newly obtained angular position with one stroke
- H. Repeat operations A to F, until the desired angle is obtained



- I. To decrease angular stroke, rotate setting dowel (7) clockwise
- J. Remove pressure
- K. Verify the newly obtained angular position with one stroke
- L. Repeat operations A to D and I to K, until the desired angle is obtained



- M. Hold setting dowel (7) with a wrench and tighten stop nut (6)



12. Operation

12.7.3 Single-Acting Actuator with MH And MHD Type Manual Override, Cylinder Stop Bolt Setting

Perform the following operations as first setting.

Adjust the stop bolt located in the manual override as follows:



Fig 12.12 MHD

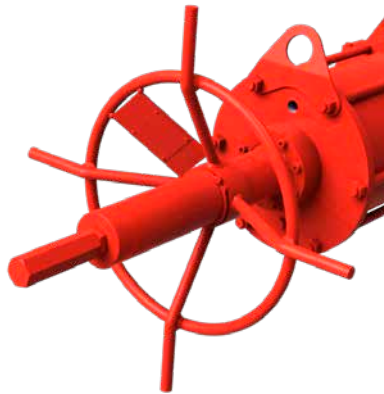
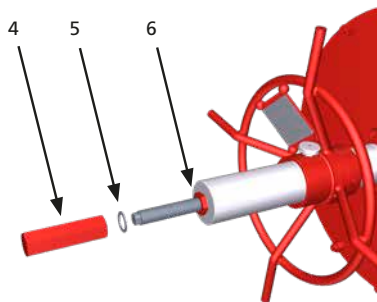
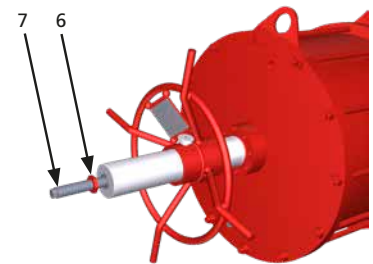
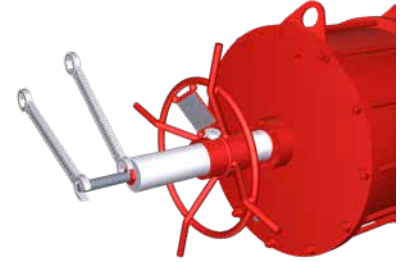


Fig 12.13 MH

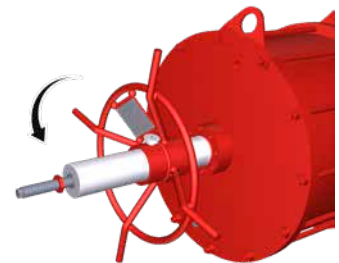
- A. Use a device to engage the handwheel (only for MHD type)
- B. Ensure the jackscrew override is in a fully retracted position by rotating the handwheel clockwise
- C. Verify the absence of pressure
- D. Remove cap nut (4) with seal washer (5)



- E. Loosen stop nut (6)
- F. Slowly pressurise the cylinder to detach stop bolt from piston

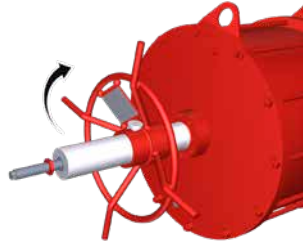


- G. To increase angular stroke, rotate stop bolt (7) anti-clockwise
- H. Remove pressure
- I. Verify the newly obtained angular position with one stroke
- J. Repeat operations A to I, until the desired angle is obtained

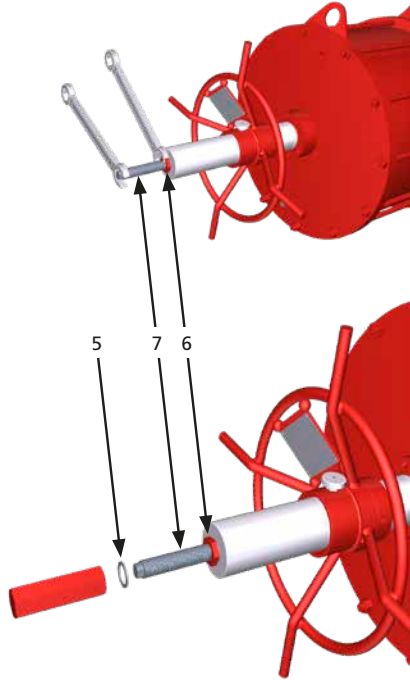


- K. To decrease angular stroke, rotate setting dowel (7) clockwise
- L. Remove pressure
- M. Verify the newly obtained angular position with one stroke
- N. Repeat operations A to F and K to M, until the desired angle is obtained

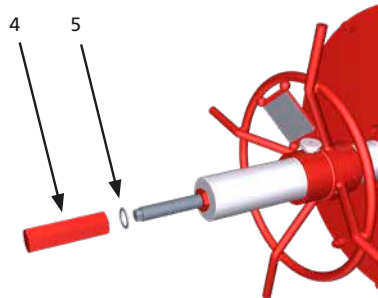
12. Operation



- O. Hold setting dowel (7) with a wrench and tighten stop nut (6). Verify that seal washer (5) is properly placed



- P. Insert seal washer (5) and verify it is correctly positioned. Hold stop nut (6) with a wrench and tighten cap nut (4)

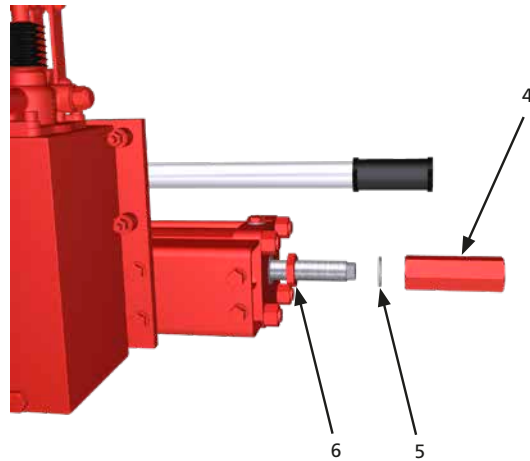


12.7.4 Single-Acting Actuator with HPA Type Manual Override, Cylinder Stop Bolt Setting

Perform the following operations as first setting.

Adjust the stop bolt located in the end flange of the hydraulic cylinder, as follows:

- Verify the absence of pressure
- Loosen cap nut (4) with relative seal washer (5) and loosen stop nut (6)



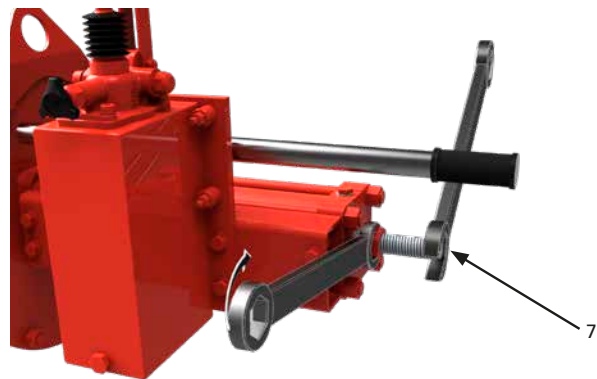
- Slowly pressurise the cylinder to detach stop bolt (7) from piston

- To increase angular stroke, rotate stop bolt (7) anti-clockwise

- Remove pressure

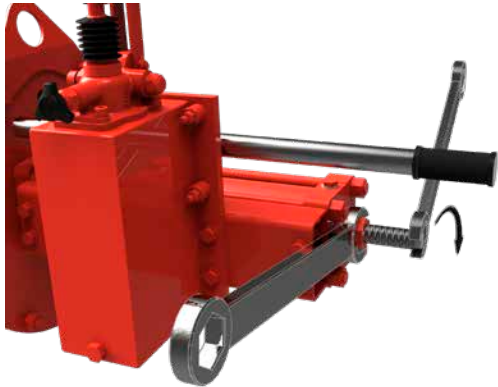
- Verify the newly obtained angular position with one stroke

- Repeat operations A to F, until the desired angle is obtained

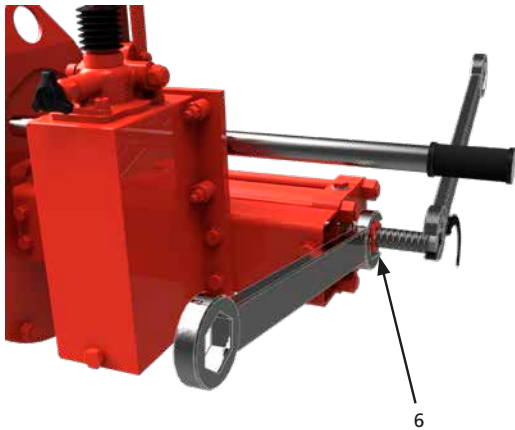


12. Operation

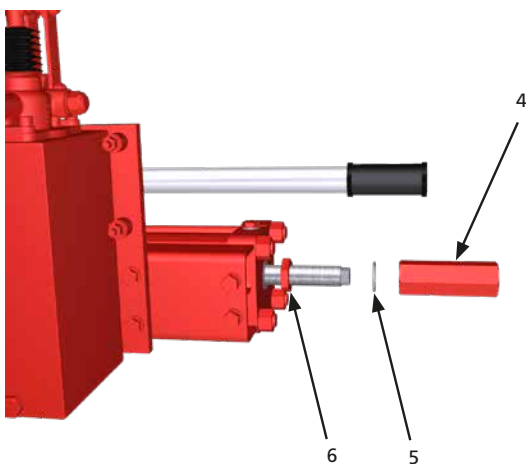
- H. To decrease angular stroke, rotate stop bolt (7) clockwise
- I. Remove pressure
- J. Verify the newly obtained angular position with one stroke
- K. Repeat operations A to C and H to K, until the desired angle is obtained



- L. Hold stop bolt (7) with a wrench and tighten the stop nut (6)



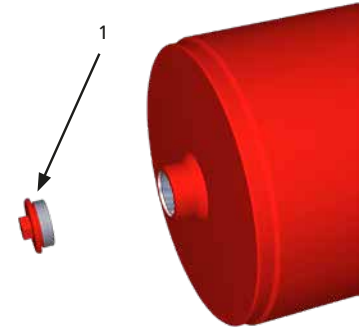
- M. Insert seal washer (5) and verify it is correctly positioned. Hold stop nut (6) with a wrench and tighten cap nut (4)



12.7.5 Single-Acting Actuator, Spring Cartridge Stop Bolt Setting

Perform this setting after having set the stop bolt on cylinder. Adjust stop bolt screwed into the spring cartridge, as follows:

- A. Pressurise the cylinder until reaching the fully open/close position, and verify the actuator stroke stop
- B. Depressurise the cylinder to adjust the angular stroke setting
- C. Remove protection plug (1) with a wrench



- D. To increase angular stroke, rotate stop bolt anti-clockwise with appropriate socket wrench



- E. To decrease angular stroke, rotate the stop bolt clockwise with appropriate socket wrench



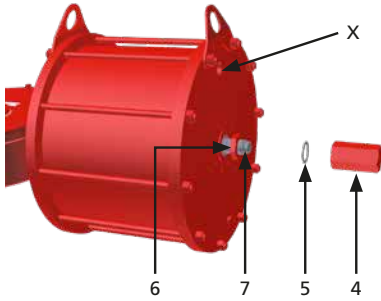
- F. Verify the newly obtained angular position with one stroke
- G. Repeat this operation until the desired angle is obtained
- H. Re-position protection plug (1)

12. Operation

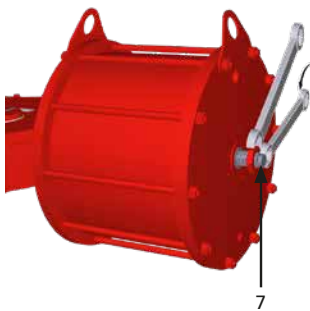
12.7.6 Double-Acting Actuator, Cylinder Stop Bolt Setting

Perform the following operations as first setting.

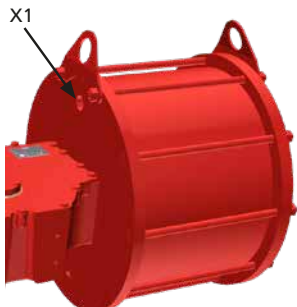
Adjust the stop bolt located in the end flange of the cylinder as follows:



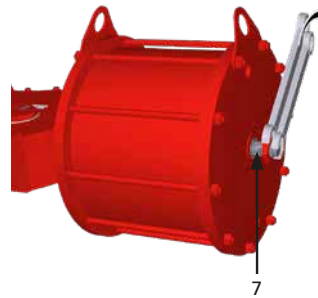
- A. Verify the absence of pressure
- B. Remove cap nut (4) and seal washer (5)
- C. Loosen stop nut (6)
- D. Slowly pressurise the cylinder from port X to detach stop bolt from piston



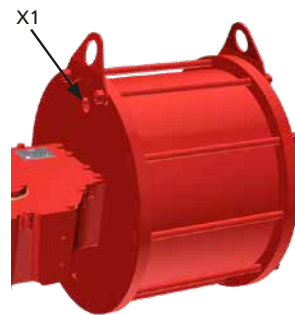
- E. Hold stop nut (6) with a wrench
- F. With the help of a suitable size wrench, rotate the stop bolt (7) counter clockwise to increase the angular stroke
- G. Apply pressure to port (X1)



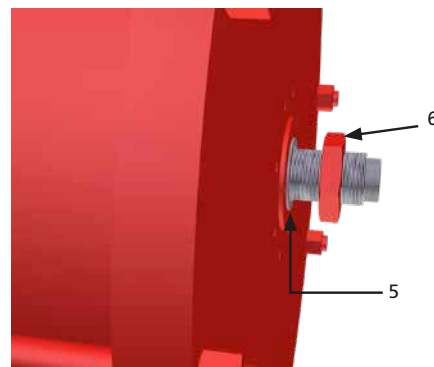
- H. Verify the newly obtained angular position with one stroke
- I. Repeat operations A to H, until the desired angle is obtained



- J. With the help of a suitable size wrench, rotate the stop bolt (7) clockwise to decrease the angular stroke
- K. Apply pressure to port (X1)

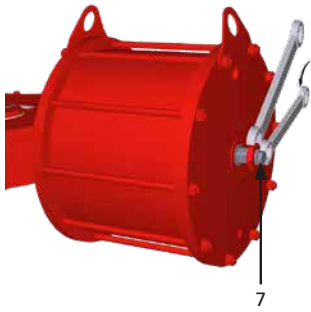


- L. Verify the newly obtained angular position with one stroke
- M. Repeat operations A to E and J to L, until the desired angle is obtained
- N. Re-position seal washer (5) between flange and stop nut (6)

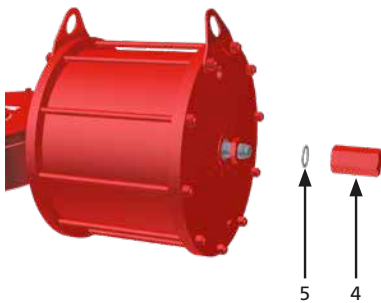


12. Operation

- O. Hold stop bolt (7) with a wrench and carefully tighten stop nut (6)



- P. Re-position seal washer (5) and verify it is correctly positioned. Tighten cap nut (4)

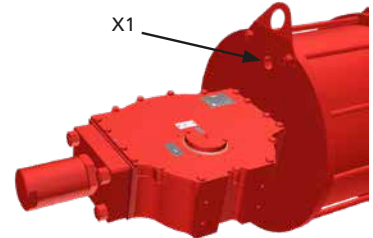


12.7.7 Double-Acting Actuator, Centre Body Closure Flange Stop Bolt Setting

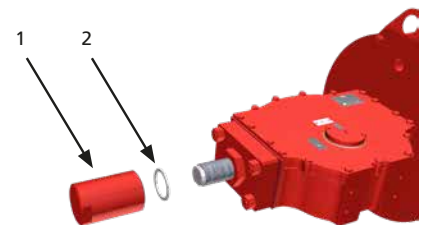
Perform the following operations after cylinder stop bolt setting.

Adjust the stop bolt located in the centre body closure flange as follows:

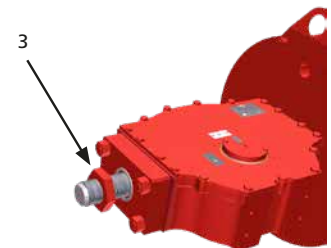
- A. Slowly apply pressure to port (X1)



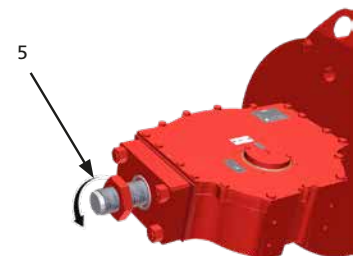
- B. Remove cap nut (1) with seal washer (2)



- C. Loosen stop nut (3)

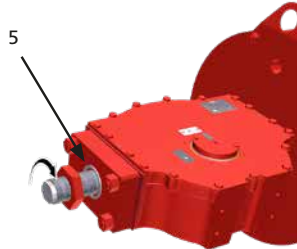


- D. To increase angular stroke, rotate stop bolt (5) anti-clockwise



12. Operation

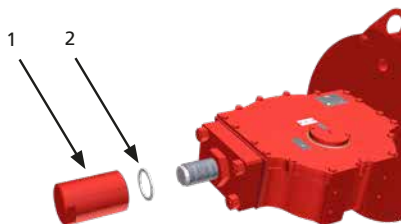
- E. Verify the newly obtained angular position with one stroke
- F. Repeat operations A to E, until the desired angle is obtained
- G. To decrease angular stroke, rotate stop bolt (5) clockwise



- H. Verify the newly obtained angular position with one stroke
- I. Repeat operations A to C and G to I, until the desired angle is obtained
- J. Hold stop bolt (5) with a wrench and tighten stop nut (3). Ensure seal washer (2) is properly placed



- K. Re-position seal washer (2) and verify it is correctly positioned. Tighten cap nut (1)

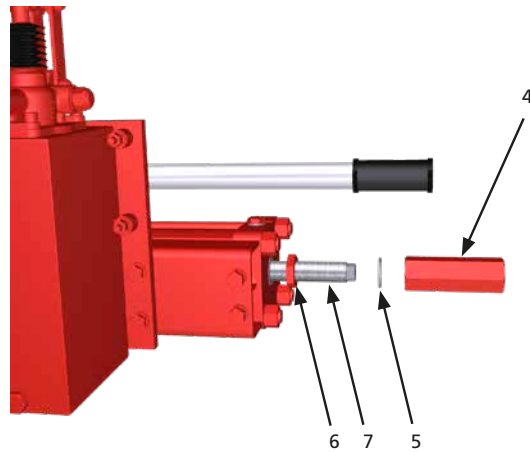


12.7.8 Double-Acting Actuator with HP1 Type Manual Override, Cylinder Stop Bolt Setting

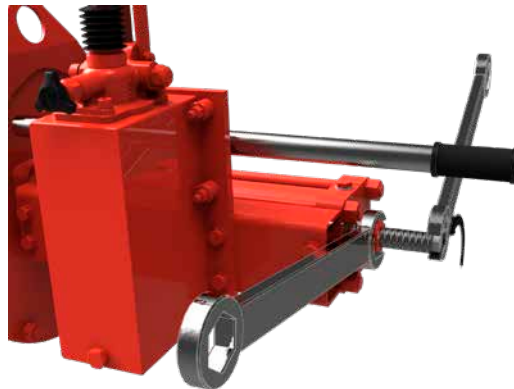
Perform the following operations as first setting.

Adjust the stop bolt located in the end flange of the hydraulic cylinder, as follows:

- A. Verify the absence of pressure
- B. Loosen cap nut (4) with relative seal washer (5) and loosen stop nut (6)

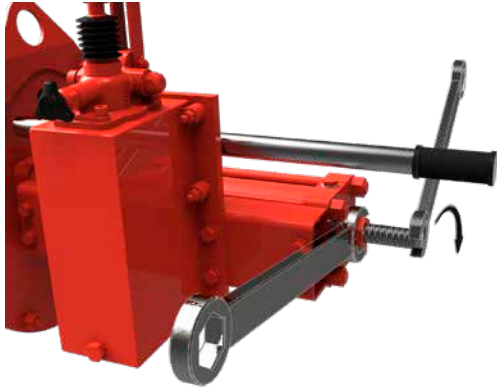


- C. Slowly pressurise the cylinder to detach stop bolt from piston
- D. To increase angular stroke, rotate stop bolt (7) anti-clockwise
- E. Remove pressure
- F. Verify the newly obtained angular position with one stroke
- G. Repeat operations A to G, until the desired angle is obtained



12. Operation

- H. To decrease angular stroke, rotate stop bolt (7) clockwise
- I. Remove pressure
- J. Verify the newly obtained angular position with one stroke
- K. Repeat operations A to C and H to K, until the desired angle is obtained



- L. Hold stop bolt (7) with a wrench and tighten stop nut (6). Verify seal washer (5) is properly placed

A small amount of oil dripping from the stop bolt is normal to happen during the above procedure

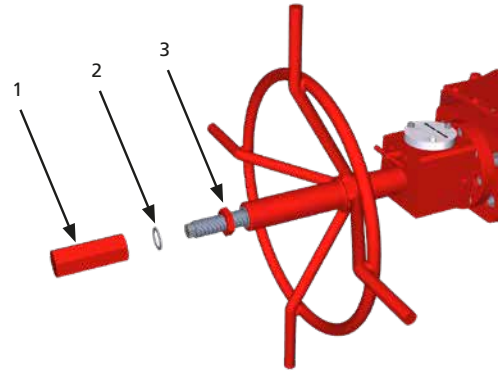
12.7.9 Double-Acting Actuator with Type MD Manual Override Stop Bolt Setting

Perform the following operations after cylinder stop bolt setting.

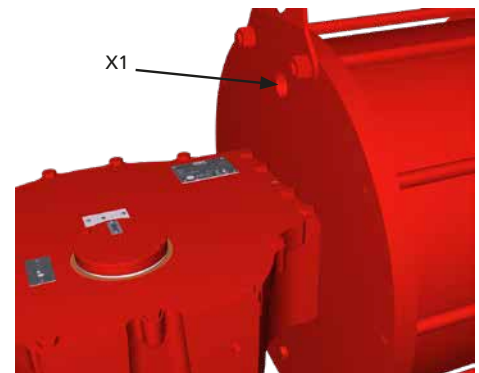
Manual override must be disengaged to perform operation. Verify it is disengaged, otherwise rotate the engaging lever by 180 °C.

Adjust the stop bolt located in the manual override as follows:

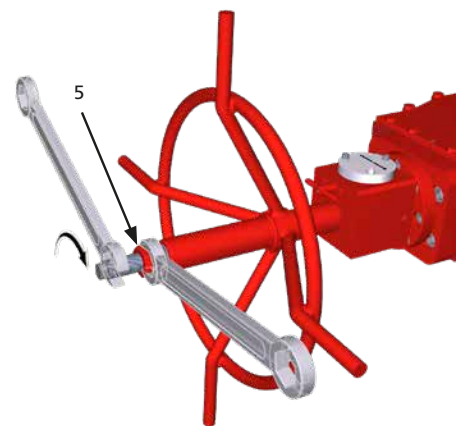
- A. Remove cap nut (1) and relative seal washer (2) and loosen stop nut (3)



- B. Pressurise the cylinder from connection X1

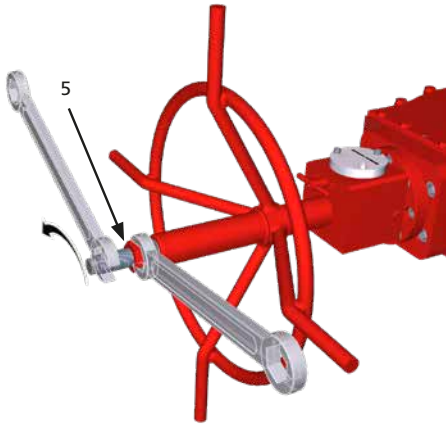


- C. To increase angular stroke, rotate stop bolt (5) anti-clockwise

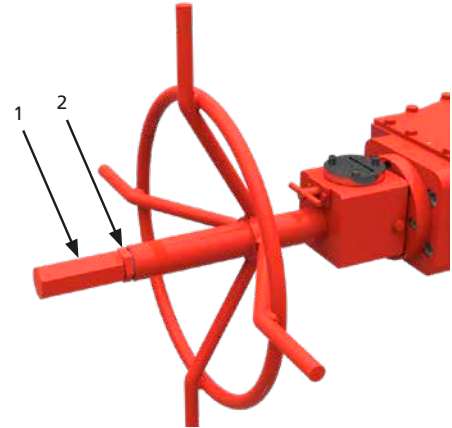


12. Operation

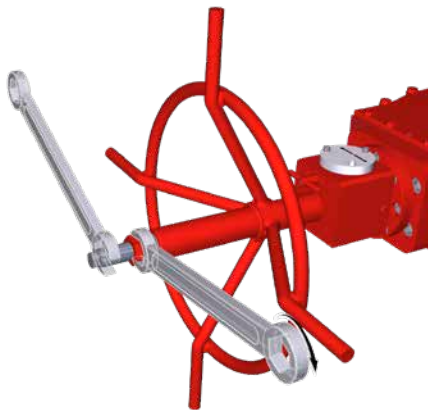
- D. Verify the newly obtained angular position with one stroke
- E. Repeat operations A to E, until the desired angle is obtained
- F. To decrease angular stroke, rotate stop bolt (5) clockwise



- J. Re-position seal washer (2) and verify it is correctly positioned. Tighten cap nut (1)



- G. Verify the newly obtained angular position with one stroke
- H. Repeat operations A to B and F to H, until the desired angle is obtained
- I. Hold stop bolt (5) with a wrench and tighten stop nut (3). Ensure seal washer (2) is properly placed



12. Operation

12.8 Pneumatic Power Supply

Verify allowed supply pressure range on actuator label.

⚠ Verify medium composition. Contact Rotork to check the compatibility with the supply medium.

12.9 Pneumatic Connections

Preliminary Operations

- Verify sizes of pipes and fittings per applicable plant specifications
- Clean the inside of the connection pipes by washing them with a suitable detergent and by blowing air into them
- The connecting pipes must be properly shaped and fixed to prevent stress or loosening of threaded connections

Note: For tapered-thread fluid connections, apply a thin layer of thread sealing product (Loctite 577 or equivalent) to ensure a good seal.

⚠ Connect the pneumatic power source in accordance to the applicable operating diagram, please refer to specific job for details.

⚠ Depending upon the control circuit design, pneumatically powered actuators may exhaust the power supply gas into the atmosphere during normal operation. This may present an unacceptable hazard.

⚠ Do not feed a single-acting actuator from the spring container side after having removed the exhaust silencer, especially if the line valve is blocked.

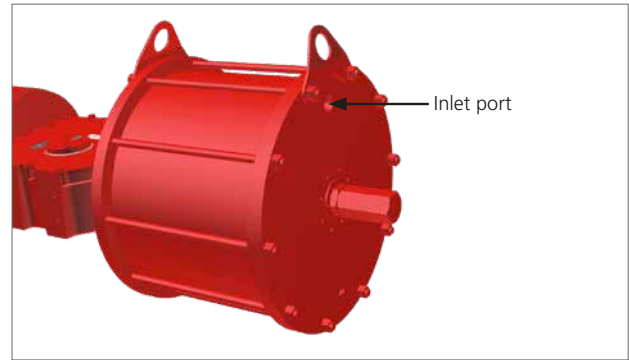


Fig 12.14 Inlet port for single-acting actuator

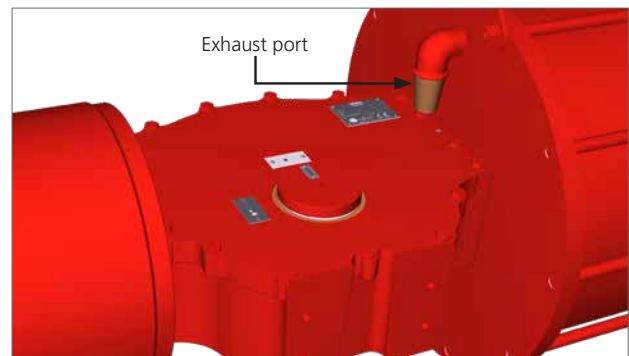


Fig 12.15 Exhaust port for single-acting actuator

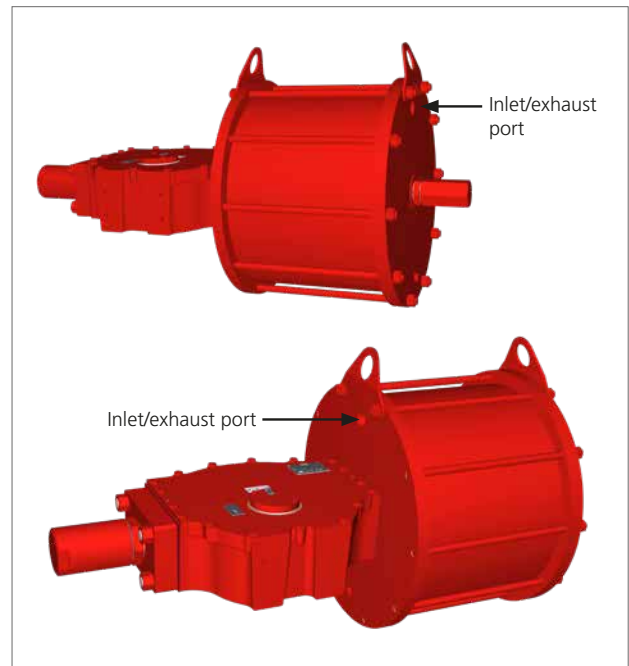





Fig 12.16 Inlet exhaust port for double-acting actuator

12. Operation

12.10 Electrical Connections


 **Check electrical components supply voltage, before start-up.**

 **Access to live electrical conductors is forbidden in hazardous areas unless done under a special permit. Otherwise, all power must be isolated and the unit moved to a non-hazardous area for repair.**

 **Prevent electrostatic charges in potentially explosive areas.**

Electrical connection can be performed as follows:


- Remove power supply
- Remove the plastic protection plugs from the cable entries
- Use only appropriately certified reduction fittings, cable glands, fittings and explosion-proof cables
- The cable glands must be tightened in the threaded inlets, to guarantee the waterproof and explosion proof protection
- Pay attention to the correct installation of the O-rings of the cable glands to prevent water and debris infiltration inside electric components
- The size of the electric supply cable must be per the electric power demand
- Insert the connection cables through cable glands and perform assembly per the cable gland manufacturer's instructions.
- Connect the cable wires to the terminal blocks in accordance with the applicable wiring diagram
- Electric connections must be made by using rigid conduits and trailing cables to prevent mechanical stresses in the cable entries
- On the unused entries of the junction box, replace the plastic plugs with approved metal plugs, to guarantee sealing and comply with explosion safety protection codes
- Assemble the covers of the electric components, paying attention to seals
- Once connections have been completed, check electrical components functionality

 **Actuator and electrical components must be protected from electrical sparks, lightning, magnetic or electro-magnetic fields, at User's care.**

12.11 Start Up

During the start-up of the actuator, it is necessary to check if:

- Medium supply pressure is as prescribed
- The feed voltage values of electrical components (solenoid valves coils, limit switches, pressure switches etc., if applicable) are as prescribed
- Actuator controls such as remote control, local control, emergency control etc. (if applicable) work properly
- Input remote signals are correct
- The setting of control unit components is per the plant requirements
- Pneumatic connections show no leakage. If necessary, tighten fittings
- The painted parts have not been damaged during transport, assembling or storage operations. Otherwise remove presence of rust and repair the damaged parts following the applicable painting specifications
- Actuator and all its parties work as expected
- Operating time is in accordance with requirements

 **The End user must guarantee equal voltage potential between the valve and the actuator and provide appropriate grounding. End user shall indicate and maintain the grounding connections on the actuator.**

13. Dismantling and Disposal

Prior to dismantling the actuator, check if any of its parts are still under pressure.

For Single-Acting Actuator

⚠ The spring cartridge module could contain potential energy due to compressed elastic elements.

After removing the spring cartridge from the centre body, the spring cartridge must be returned to the manufacturer's plant, upon agreement with Rotork.

♻ Grease and oil must be disposed of safely in accordance with the local environmental laws and regulations.

- Dismount the actuator, separate and divide the various parts and components per the type of material
- Dispose of the pieces of steel, cast iron and aluminium alloys as metal scraps
- Dispose of the rubber, PVC, resins etc. separately, in accordance with the existing national and regional regulations
- Electric components are to be separately disposed of on specialized disposal sites

Actuators manufactured after 1993 year do not contain asbestos or its by-products.

14. Rotork Sales and Service

If your Rotork actuator has been correctly installed and sealed, it will give years of trouble-free service. Should you require technical assistance or spares, Rotork guarantees the best service in the world. Contact your local Rotork representative or the factory direct at the address on the nameplate, quoting the actuator type and serial number.

Some actuators have a special spare parts list. Refer to the project specific documentation for further details.

15. Troubleshooting

ID	FAILURE	POSSIBLE CAUSES	CORRECTIVE MEASURES
1	Incorrect valve position	<ul style="list-style-type: none"> Fault of pipeline valve 	<ul style="list-style-type: none"> Consult the valve manufacture's documentation
2	Incorrect indication of valve position	<ul style="list-style-type: none"> Incorrect signal from limit switches 	<ul style="list-style-type: none"> Check limit switches position (according instructions reported in the job specific documentation)
3	Incorrect movement	<ul style="list-style-type: none"> Irregular supply of operating medium 	<ul style="list-style-type: none"> Verify the supply pressure and adjust as necessary
		<ul style="list-style-type: none"> Worn parts 	<ul style="list-style-type: none"> Contact Rotork
		<ul style="list-style-type: none"> Fault in control panel equipment (if present) 	<ul style="list-style-type: none"> Contact Rotork Customer Service
		<ul style="list-style-type: none"> Fault of pipeline valve 	<ul style="list-style-type: none"> Consult the valve manufacture's documentation
4	Valve stroke not fully completed	<ul style="list-style-type: none"> Insufficient gas flow 	<ul style="list-style-type: none"> Increase gas supply flow
		<ul style="list-style-type: none"> Incorrect assembly between actuator and valve 	<ul style="list-style-type: none"> Perform assembling according to INSTALLATION ON VALVE (section 10)
		<ul style="list-style-type: none"> Valve blocked 	<ul style="list-style-type: none"> Consult the valve manufacture's documentation
		<ul style="list-style-type: none"> Stop bolts wrong setting 	<ul style="list-style-type: none"> Adjust stop bolt setting following instructions in ANGULAR STROKE SETTING (section 12.7)
5	Leakages	<ul style="list-style-type: none"> Stop bolts wrong setting 	<ul style="list-style-type: none"> Adjust stop bolt setting following instructions in ANGULAR STROKE SETTING (section 12.7)
		<ul style="list-style-type: none"> Worn seals 	<ul style="list-style-type: none"> Replace seals according instructions reported in PM-GP-006, PM-GP-007
6	Actuator moves too fast	<ul style="list-style-type: none"> No pressure on pipeline 	<ul style="list-style-type: none"> Restore pipeline pressure
		<ul style="list-style-type: none"> Supply pressure greater than allowed range values 	<ul style="list-style-type: none"> Verify the supply pressure and adjust as necessary
7	Actuator moves too slow	<ul style="list-style-type: none"> Fault on pipeline valve (valve hardened) 	<ul style="list-style-type: none"> Consult the valve manufacture's documentation
		<ul style="list-style-type: none"> Supply pressure lower than allowed range values 	<ul style="list-style-type: none"> Verify the supply pressure and adjust as necessary
		<ul style="list-style-type: none"> Possible internal undue friction 	<ul style="list-style-type: none"> Contact Rotork Customer Service
8	Loss of power	<ul style="list-style-type: none"> Inadequate supply pressure 	<ul style="list-style-type: none"> Ensure that the supply pressure is above the minimum operating pressure of the actuator and that the output torque produced at supply pressure exceeds the required valve torque.
		<ul style="list-style-type: none"> Leakage from cylinder 	<ul style="list-style-type: none"> Replace seals according instructions reported in PM-GP-006, PM-GP-007

For other problems, please contact Rotork Customer Service.

16. Periodic Maintenance

Rotork recommends performing the following checks to help comply with the rules and regulations of the country of final installation:

⚠ Remove pressure before proceeding with maintenance operations, discharge any accumulators or tanks (if presents), except where otherwise indicated.

Periodic Maintenance Schedule




MAINTENANCE ACTIVITY	PERIODICITY		REFERENCE
	Months	Years	
Visual check of external components and control groups	6*	*	
Verify welding. In case of anomalies contact RFS	6*	*	
Breather cleaning	6*	*	
Check pneumatic connections for leaks. Tighten pipe fittings as required	-	1*	
Cleaning	-	1*	PM-GP-001
Visual check of painting. Verify absence of damages. Repair if necessary per painting specification	-	1*	
Functional test	-	1*	PM-GP-002
Functional test by Manual Override	-	1*	PM-GP-003
Check electrical components (if present) and grounding connections	-	1*	PM-GP-004
Check threaded connections (bolts, studs and nuts) with valve. If necessary tighten to the recommended torque, in accordance with the size and the characteristics of the fastener material installed by the Customer		1*	
Single-acting actuator hand pump oil replacement (if present)	-	5*	PM-GP-005a
Double-actuator hand pump oil replacement (if present)	-	5*	PM-GP-005b
Pneumatic Cylinder and centre body seals replacement (single- and double-acting actuator)	-	5*	PM-GP-006
Hydraulic Cylinder for manual override seals replacement	-	5*	PM-GP-007

(*) The time between maintenance tasks will vary depending on the medium and service conditions. Refer to End User Plant Preventive Maintenance Program for specific task periodicity.



For Functional Safety applications refer to Safety Manual.

Specific maintenance could be necessary for specific application. Refer to job documentation for eventual additional maintenance tasks.



16. Periodic Maintenance

PM-GP-001		Page: 1/1
Component: Single-acting actuator double-acting actuator	Task: Cleaning	
Equipment, Tools, Materials: Air compressor Project documentation (Design and Operating pressure values)	Warnings: 	
Preliminary Operations:		
Description:		
<p> Remove electric and pneumatic supply before proceeding.</p> <p>1. Remove dust from actuator external surface by dust rag and by blowing air</p> <p> Do not polish/rub non-metal surfaces with a dry cloth. The tools and cleaning procedures must not produce sparks or create adverse conditions in the environment during maintenance operations, to prevent potential explosion hazards. Prevent electrostatic charges in potentially explosive areas.</p>		



16. Periodic Maintenance

PM-GP-002		Page: 1/1
Component: Single-acting actuator double-acting actuator	Task: Functional test	
Equipment, Tools, Materials: Chronometer Project documentation (required stroke times)	Warnings: 	
Preliminary Operations:		
Description: NOTE: Actuator must be connected to the pneumatic supply to perform the following test. <ol style="list-style-type: none">1. Operate the actuator2. Perform the stroke several times by local and remote (if applicable) control <p> Actuator could exhaust medium supply in the atmosphere during normal operation. Wear PPD including breathing device in function of type of medium supply used.</p> <ol style="list-style-type: none">3. Verify actuator is correctly working4. Note the stroke time(s)5. Verify stroke time(s) are as required <p>In case of stroke times out of required range refer to Troubleshooting ID 4, 5 (section 15) to restore.</p>		



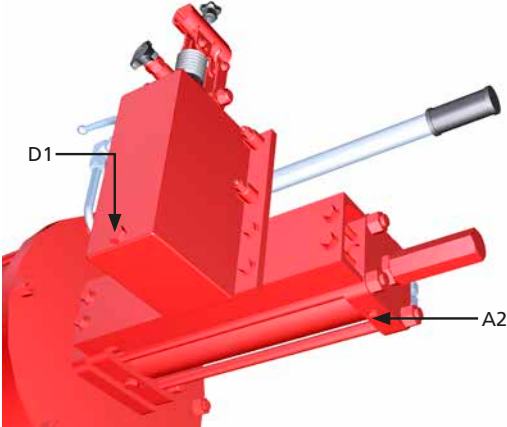
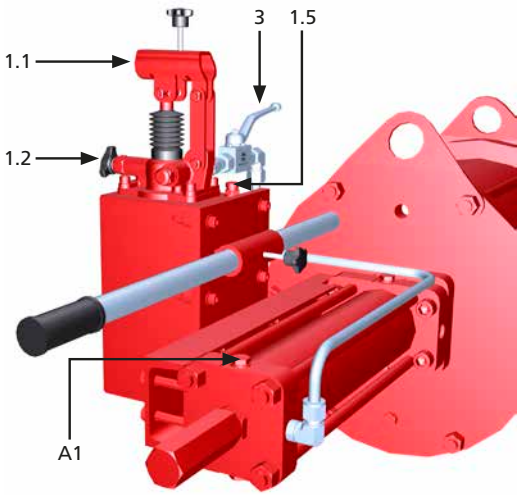
16. Periodic Maintenance

PM-GP-003		Page: 1/1
Component: Manual override	Task: Manual override functional test	
Equipment, Tools, Materials: Project documentation	Warnings: 	
Preliminary Operations:		
Description:		
Opening operation		
<ol style="list-style-type: none">1. Verify the absence of pressure2. Verify the actuator is in its fail position, spring relaxed (for single-acting actuator)3. Move the mechanical manual override according to instructions reported in MANUAL OVERRIDE (section 12.3) to stroke the actuator4. Verify the actuator reaches the desired position		
 Before re-starting the actuator with air supply, disengage the manual override to set the actuator in its original position. After each use, verify that the manual override has been disengaged before returning to remote operation.		



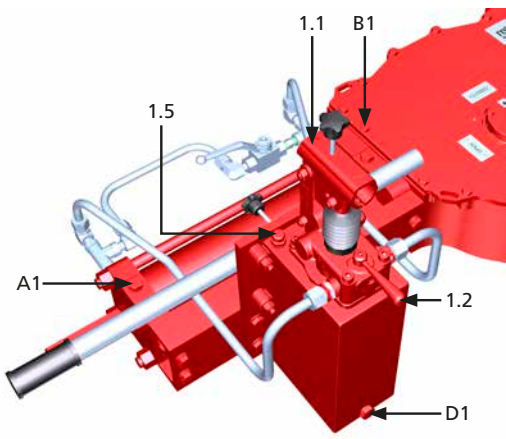
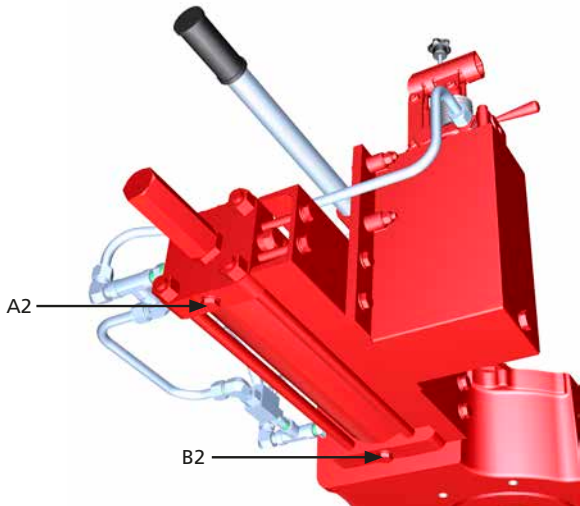
16. Periodic Maintenance

PM-GP-004		Page: 1/1
Component: Electrical components (if present)	Task: Check electrical components (if present) and grounding connections	
Equipment, Tools, Materials: Project documentation	Warnings: 	
Preliminary Operations:		
Description:  Switch off electric power supply before working on electrical devices. Read and follow the safety precautions reported in the Manufacturer's Maintenance Manual. Risk of temporary modification of the component protection. Use only antistatic clothes. <ol style="list-style-type: none">1. Remove cover from electric components2. Check electric device components3. Verify tightness of terminal blocks4. Verify absence of humidity and oxidation5. Check cable gland seals6. Verify grounding connection and restore if necessary		


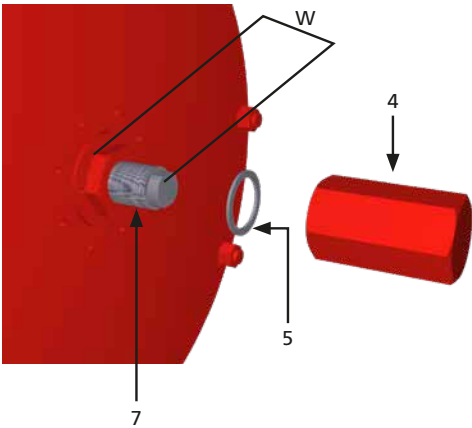
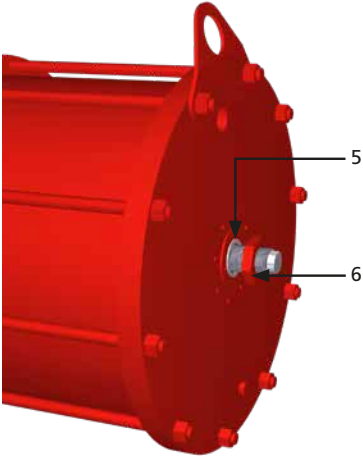
16. Periodic Maintenance

PM-GP-005a		Page: 1/1
Component: Hydraulic manual override for single-acting actuator	Task: Hydraulic oil replacement	
Equipment, Tools, Materials: Project documentation Wrench	Warnings: 	
Preliminary Operations:		
Description: Tasks must be executed with the tank in vertical position and with the actuator in fail position. Verify the absence of pneumatic pressure. Correct oil level is approximately 25 mm (1") below the fill/breather port.		
Drain procedure		
<ol style="list-style-type: none"> 1. Remove breather/plug (1.5) 2. Place containers under drain port (D1) and (A2) to collect the fluid 3. Remove plugs (D1), (A1) and (A2) 4. Discharge oil 5. Tighten plug (D1) and (A2) back in its seat with a wrench 6. Hand tighten plug (A1) and unfasten 1 turn <p> Used hydraulic fluid must be disposed of safely.</p>		
Filling procedure		
<ol style="list-style-type: none"> 7. Fill with oil from the fill /breather port (1.5) up to 25 mm (1") below the port 8. Close stop valve (1.2) and verify that stop valve (3) is open 9. Install the pump lever and operate pump (1.1) until oil is bled from port A1 10. Tighten plug (A1) with a wrench 11. Continue operating the pump to fully compress the spring 12. Ensure the oil level in the tank does not drop below the intake tube 13. Keep the cylinder pressurised from 3 to 5 minutes, to settle the oil level 14. Slowly open stop valve (1.2) to allow the actuator the return to the fail position 15. Repeat the pump operation procedure from 2 to 3 times 16. Check the oil level. If necessary, fill in from the fill /breather port (1.5) up to 25 mm (1") below the port <p>Important: Do not exceed this fluid level.</p> <ol style="list-style-type: none"> 17. Reinstall the tank breather (1.5) and return the lever to the storage holder 		


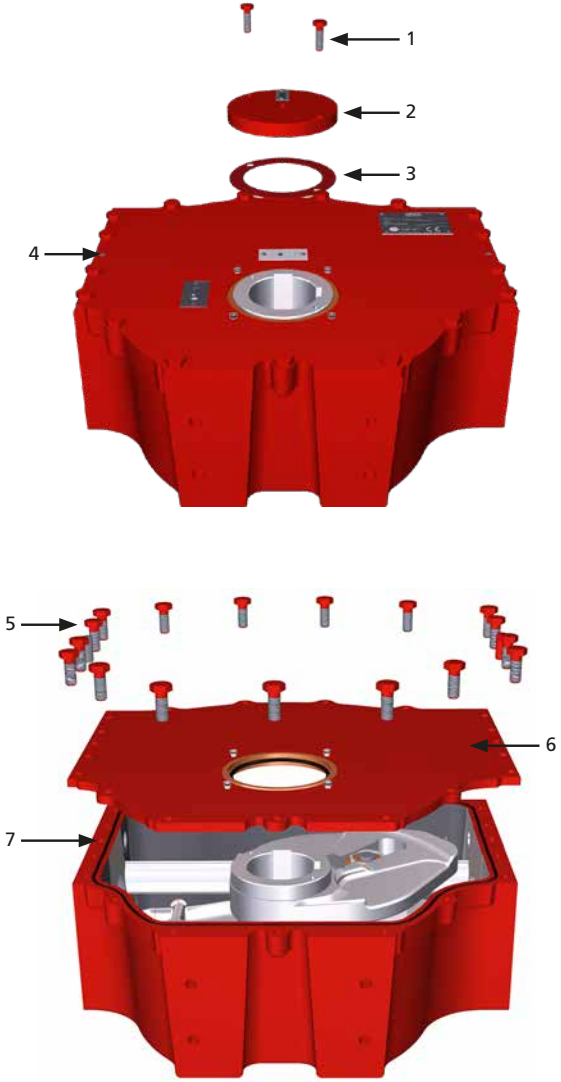
16. Periodic Maintenance

PM-GP-005b		Page: 1/1
Component: Hydraulic manual override for double-acting actuator	Task: Hydraulic oil replacement	
Equipment, Tools, Materials: Project documentation Wrench	Warnings: 	
Preliminary Operations:		
Description: Tasks must be executed with the tank in vertical position. Verify the absence of pneumatic pressure. Correct oil level is approximately 25 mm (1") below the fill/breather port.		
Drain procedure		
<ol style="list-style-type: none"> 18. Remove breather/plug (1.5) 19. Place containers under drain port (D1), (A2) and (B2) to collect the fluid 20. Loosen plugs (D1), (A1), (B1), (A2) and (B2) 21. Discharge oil 22. Tighten plug (D1), (A2) and (B2) back in its seat with a wrench 23. Hand tighten plug (A1) and (B1) and unfasten both 1 turn <p> Used hydraulic fluid must be disposed of safely.</p>		
Filling procedure		
<ol style="list-style-type: none"> 24. Fill with oil from the fill /breather port (1.5) up to 25 mm (1") below the port 25. Move the open/close selector (1.2) to the outboard side of the hydraulic cylinder 26. Install the pump lever and operate pump (1.1) until oil is bled from port A1 27. Tighten plug (A1) with a wrench 28. Continue operating the pump to the end of the actuator stroke 29. Ensure the oil level in the tank does not drop below the intake tube 30. Move the open/close selector (1.2) to the inboard side of the hydraulic cylinder 31. Operate pump (1.1) until oil is bled from port B1 32. Tighten plug (B1) with a wrench 33. Continue operating the pump to the end of the actuator stroke 34. Ensure the oil level in the tank does not drop below the intake tube 35. Stroke the actuator with the pump in both direction from 2 to 3 times 36. Check the oil level. If necessary, fill in from the fill /breather port (1.5) up to 25 mm (1") below the port <p>Important: Do not exceed this fluid level</p> <ol style="list-style-type: none"> 37. Reinstall the tank breather (1.5) and return the lever to the storage holder 		


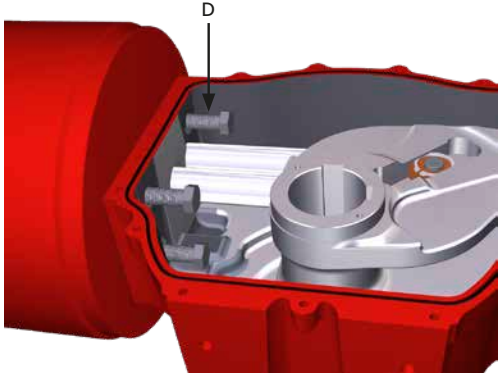

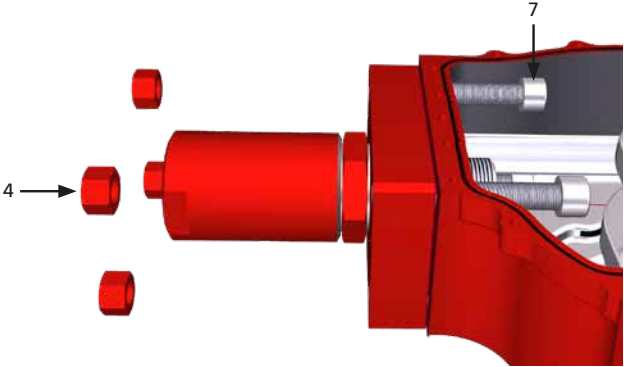
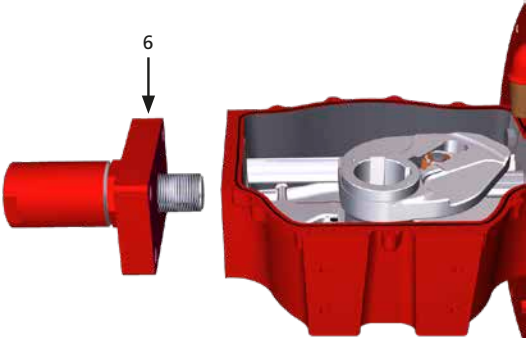
16. Periodic Maintenance

PM-GP-006		Page: 1/17
Component: Single-acting actuator / double-acting actuator	Task: Pneumatic cylinder and centre body seals replacement	
Equipment, Tools, Materials: Spare seals Wrench Lifting tools Project documentation	Warnings: 	
Preliminary Operations: Removal from Valve		
Description:		
Note: the following instructions apply both to single-acting and double-acting actuator unless otherwise specified.		
<p>⚠ Cut-off power supply and electric power supply (if present) before performing any operation. Adequate lifting devices and suitable for the weight must be applied by skilled personnel.</p>		
Preliminary actions		
<ol style="list-style-type: none"> 1. Remove actuator from valve (section 11) 2. Position the actuator on a workbench (if possible) or in a stable position and in a clean and closed area 3. Remove any control equipment (if present). Refer to the project specific documentation 4. Remove pneumatic pipes 		
<ol style="list-style-type: none"> 5. Hold stop nut (6) with a wrench, unscrew and remove cap nut (4) 6. Remove seal washer (5) 7. Measure length (W) 		
<ol style="list-style-type: none"> 8. Hold stop bolt (7) with a wrench and loosen stop nut (6) 9. Fully unscrew stop bolt (7) 10. Remove seal washer (5) <p>If the stop bolt is hard to unscrew, pressurise the cylinder and unscrew stop bolt by 3-4 turns.</p> <p>Depressurise the cylinder; check if the stop bolt turns freely. If necessary, repeat the operation.</p> <p>⚠ Do not unscrew the stop bolt completely while the cylinder is pressurised.</p>		


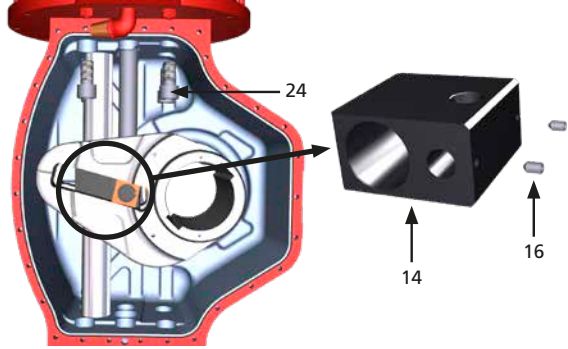
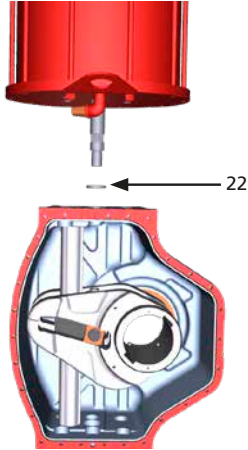
16. Periodic Maintenance

PM-GP-006	Page: 2/17
Component: Single-acting actuator / double-acting actuator	Task: Pneumatic cylinder and centre body seals replacement
Equipment, Tools, Materials: Spare seals Wrench Lifting tools Project documentation	Warnings: 
Preliminary Operations: Removal from Valve	
<ol style="list-style-type: none">11. Unscrew screws (1) and remove position indicator (2) with gasket (3)12. Unscrew bolts (5) and parallel pin (4)13. Remove cover (6). To facilitate the operation screw two bolts into proper threaded holes on the cover14. Remove and replace O-ring (7)	


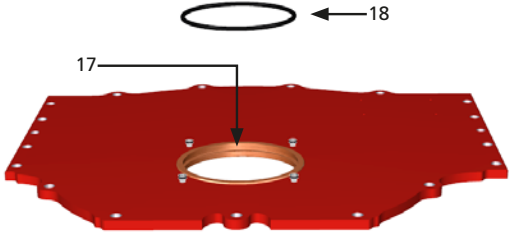

16. Periodic Maintenance

PM-GP-006		Page: 3/17
Component: Single-acting actuator / double-acting actuator	Task: Pneumatic cylinder and centre body seals replacement	
Equipment, Tools, Materials: Spare seals Wrench Lifting tools Project documentation	Warnings: 	
Preliminary Operations: Removal from Valve		
<p>Instructions valid only for SINGLE-ACTING ACTUATOR</p> <p>15. Sustain the spring cartridge adequately 16. Unscrew bolts (D) carefully</p> <p>⚠ The spring cartridge module can exert a thrust against the centre body. Unscrew bolts (D) gradually, all at the same time to release the spring energy.</p>		
<p>17. Remove spring container and centring ring (D1) 18. Remove and replace eventual gasket or O-ring (see specific part list) between spring container and centre body</p>		
<p>Instructions valid only for DOUBLE-ACTING ACTUATOR</p> <p>19. Unscrew nuts (4) from bolts (7)</p>		
<p>20. Remove flange (6) 21. Remove and replace eventual gasket or O-ring (see specific part list) between flange and carter</p>		


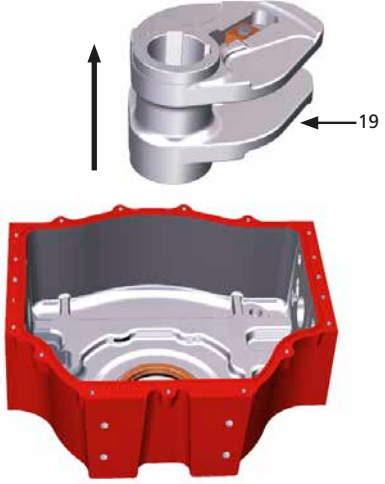
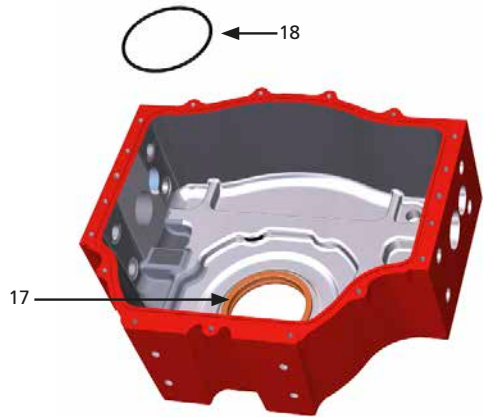
16. Periodic Maintenance

PM-GP-006		Page: 4/17
Component: Single-acting actuator / double-acting actuator	Task: Pneumatic cylinder and centre body seals replacement	
Equipment, Tools, Materials: Spare seals Wrench Lifting tools Project documentation	Warnings: 	
Preliminary Operations: Removal from Valve		
Instructions valid for SINGLE-ACTING ACTUATOR and DOUBLE EFFECT ACTUATOR 22. Position the actuator vertically on a workbench 23. Secure the actuator to the workbench with suitable clamps 24. Hook the cylinder with suitable textile sling 25. Unscrew set screw (16) from guide block (14) 26. Use a suitable support to sustain the yoke (preventing rotation) to keep the guide block (14) horizontal Important: Remove eventual dents caused by the set screw on the piston rod 27. Unscrew and remove bolts (24)		
28. Rotate the cylinder counter-clockwise to unscrew the piston rod and remove cylinder tube 29. Remove centring ring (22)		


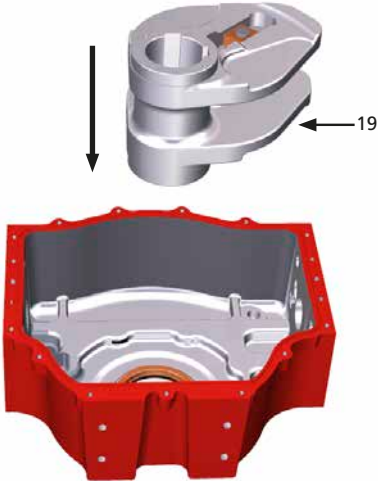
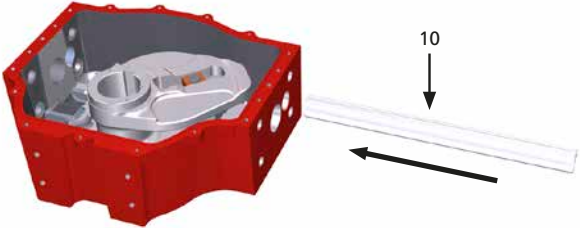
16. Periodic Maintenance

PM-GP-006		Page: 5/17
Component: Single-acting actuator / double-acting actuator	Task: Pneumatic cylinder and centre body seals replacement	
Equipment, Tools, Materials: Spare seals Wrench Lifting tools Project documentation	Warnings: 	
Preliminary Operations: Removal from Valve		
30. Remove O-ring (18) from cover bushing (17), clean the bushing groove, replace new O-ring (18) and lubricate as appropriate		
31. With the help of a rubber hammer remove the axial bar (10)		



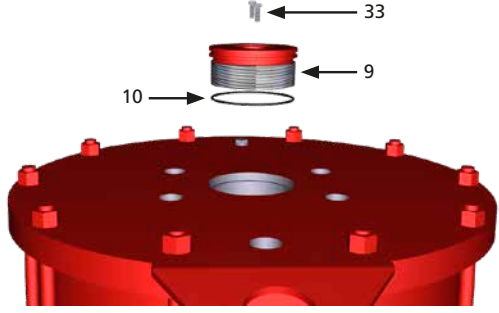
16. Periodic Maintenance

		PM-GP-006	Page: 6/17
Component: Single-acting actuator / double-acting actuator		Task: Pneumatic cylinder and centre body seals replacement	
Equipment, Tools, Materials: Spare seals Wrench Lifting tools Project documentation		Warnings: 	
Preliminary Operations: Removal from Valve			
32. Remove yoke group (19) from enclosure			
33. Remove O-ring (18) from enclosure bushing (17), clean the bushing groove, replace new O-ring (18) and lubricate as appropriate			


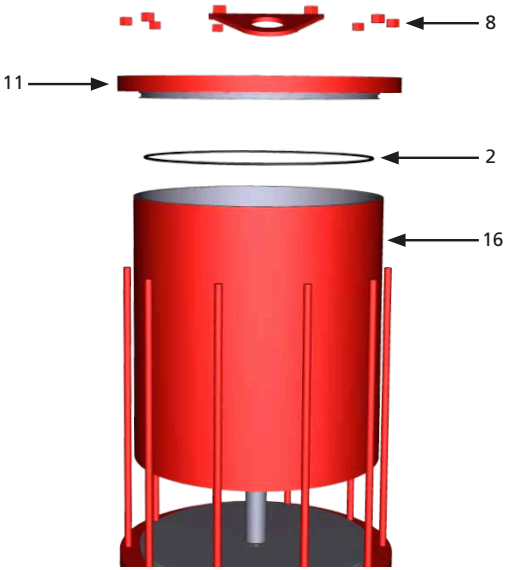
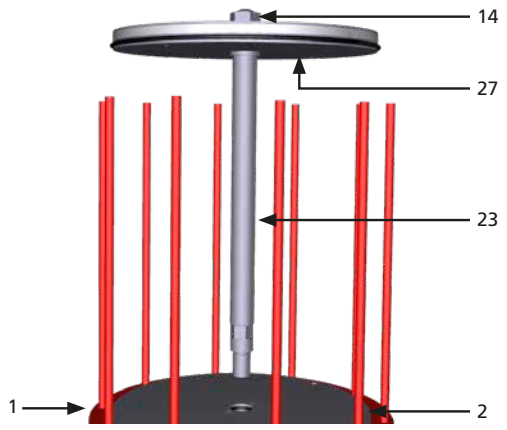
16. Periodic Maintenance

PM-GP-006		Page: 7/17
Component: Single-acting actuator / double-acting actuator	Task: Pneumatic cylinder and centre body seals replacement	
Equipment, Tools, Materials: Spare seals Wrench Lifting tools Project documentation	Warnings: 	
Preliminary Operations: Removal from Valve		
34. Replace yoke group (19) in the enclosure		
35. With the help of a rubber hammer replace the axial bar (10)		


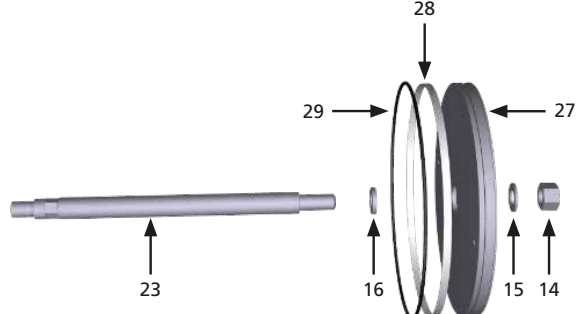
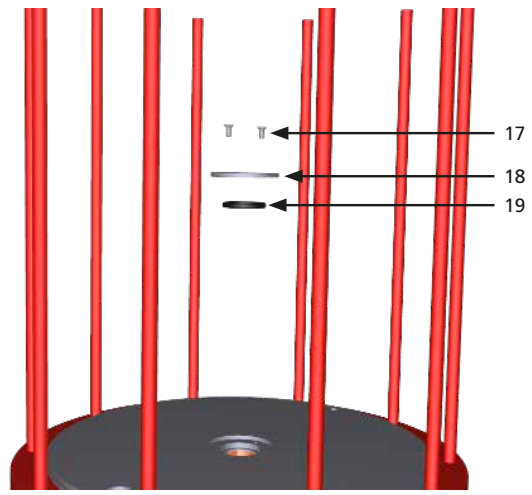
16. Periodic Maintenance

PM-GP-006		Page: 8/17
Component: Single-acting actuator / double-acting actuator	Task: Pneumatic cylinder and centre body seals replacement	
Equipment, Tools, Materials: Spare seals Wrench Lifting tools Project documentation	Warnings: 	
Preliminary Operations: Removal from Valve		
<p>36. Position the cylinder vertically on suitable wooden support</p> <p> Pay attention to the piston rod.</p> <p>37. Unscrew and remove screw (33)</p> <p>38. Remove flange (9) with O-ring (10)</p>		


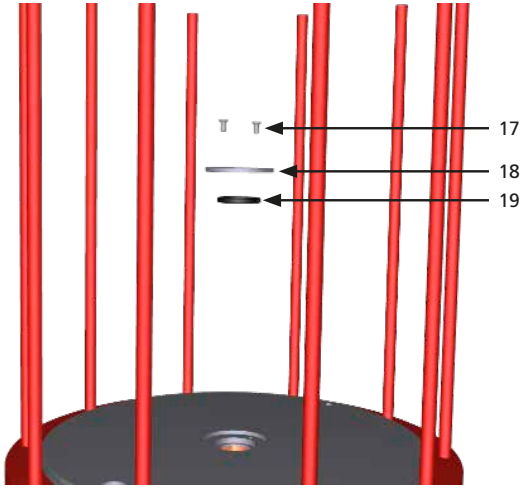
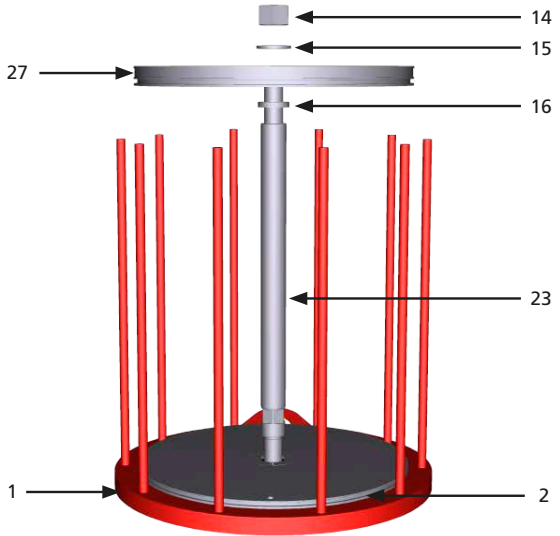
16. Periodic Maintenance

PM-GP-006		Page: 9/17
Component: Single-acting actuator / double-acting actuator	Task: Pneumatic cylinder and centre body seals replacement	
Equipment, Tools, Materials: Spare seals Wrench Lifting tools Project documentation	Warnings: 	
Preliminary Operations: Removal from Valve		
<p>39. Unscrew nuts (8)</p> <p>40. Remove end flange (11) with O-ring (2)</p> <p>41. Remove cylinder tube (16) using suitable lifting tools</p>		
<p>42. Slide piston (27) and piston rod (23) away from head flange (1)</p> <p>43. Remove O-ring (2)</p>		


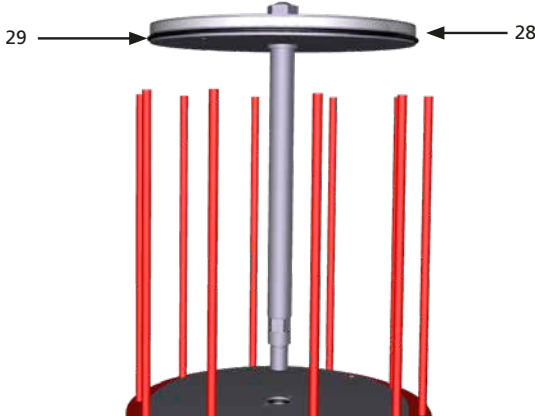
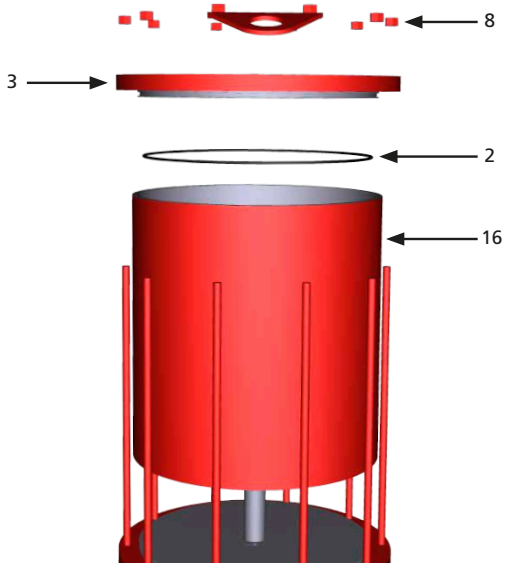
16. Periodic Maintenance

		PM-GP-006	Page: 10/17
Component: Single-acting actuator / double-acting actuator		Task: Pneumatic cylinder and centre body seals replacement	
Equipment, Tools, Materials: Spare seals Wrench Lifting tools Project documentation		Warnings: 	
Preliminary Operations: Removal from Valve			
44. Hold piston rod (23) with a wrench and unscrew nut (14) 45. Disassemble washer (15) and piston (27) from the piston rod (23) 46. Remove Sliding ring (28) and O-ring (29) from the piston 47. Remove shoulder washer (16)			
48. Unscrew screws (17) and remove seal retaining flange (18) 49. Remove O-ring (19)			
50. Carefully clean the seals grooves 51. All the removed parts must be thoroughly cleaned, inspected and de-burred as necessary 52. Replace all seals and lubricate them with a grease film 53. Lubricate all sliding parts. Use only recommended grease			


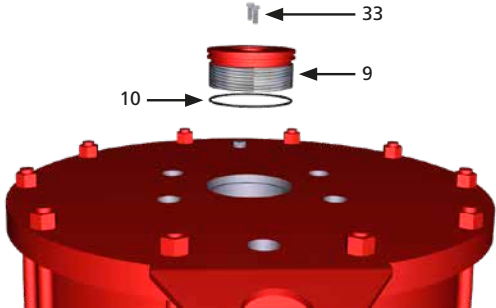
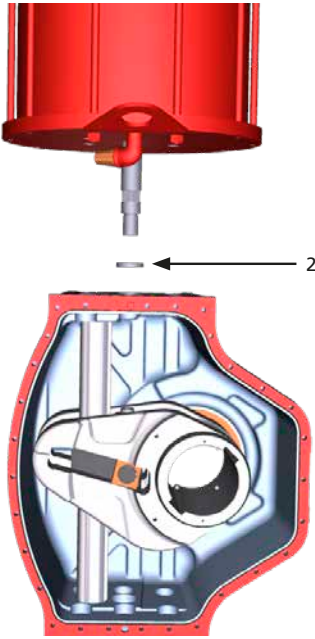
16. Periodic Maintenance

PM-GP-006		Page: 11/17
Component: Single-acting actuator / double-acting actuator	Task: Pneumatic cylinder and centre body seals replacement	
Equipment, Tools, Materials: Spare seals Wrench Lifting tools Project documentation	Warnings: 	
Preliminary Operations: Removal from Valve		
<p>54. Position O-ring (19) on its seat</p> <p>55. Position seal retaining flange (18) and tighten screws (17)</p>		
<p>56. Clean the groove on flange (1) and replace O-ring (2)</p> <p>57. Position the piston rod (23) in the flange (1).</p> <p>58. Reassemble shoulder washer (16), piston (27) on the piston rod (23) along with washer (15) and fasten nut (14).</p>		


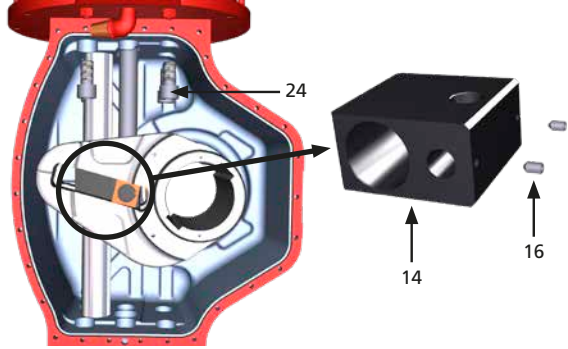
16. Periodic Maintenance

		PM-GP-006	Page: 12/17
Component: Single-acting actuator / double-acting actuator		Task: Pneumatic cylinder and centre body seals replacement	
Equipment, Tools, Materials: Spare seals Wrench Lifting tools Project documentation		Warnings: 	
Preliminary Operations: Removal from Valve			
59. Replace sliding ring (28) and O-ring (29) on piston (27)			
60. Install cylinder tube (16) using suitable lifting tools 61. Insert end flange (3) with O-ring (2) 62. Tighten nuts (8)			




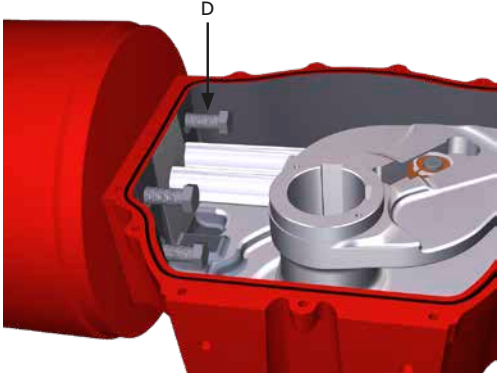
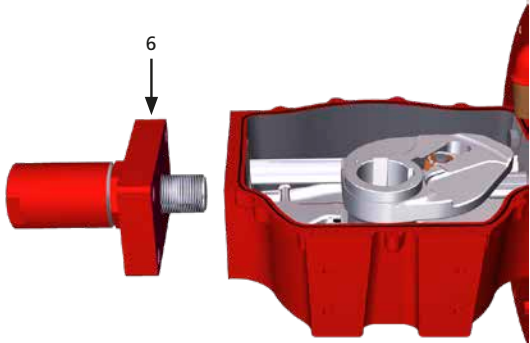

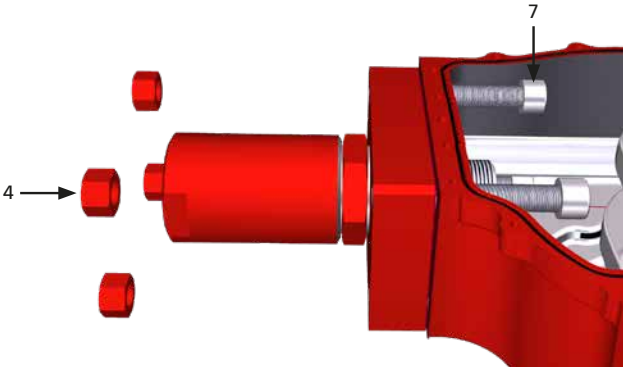
16. Periodic Maintenance

PM-GP-006		Page: 13/17
Component: Single-acting actuator / double-acting actuator	Task: Pneumatic cylinder and centre body seals replacement	
Equipment, Tools, Materials: Spare seals Wrench Lifting tools Project documentation	Warnings: 	
Preliminary Operations: Removal from Valve		
63. Restore flange (9) with O-ring (10) 64. Tighten screws (33)		
65. Install centring ring (22) 66. Position cylinder assembly on the centre body		


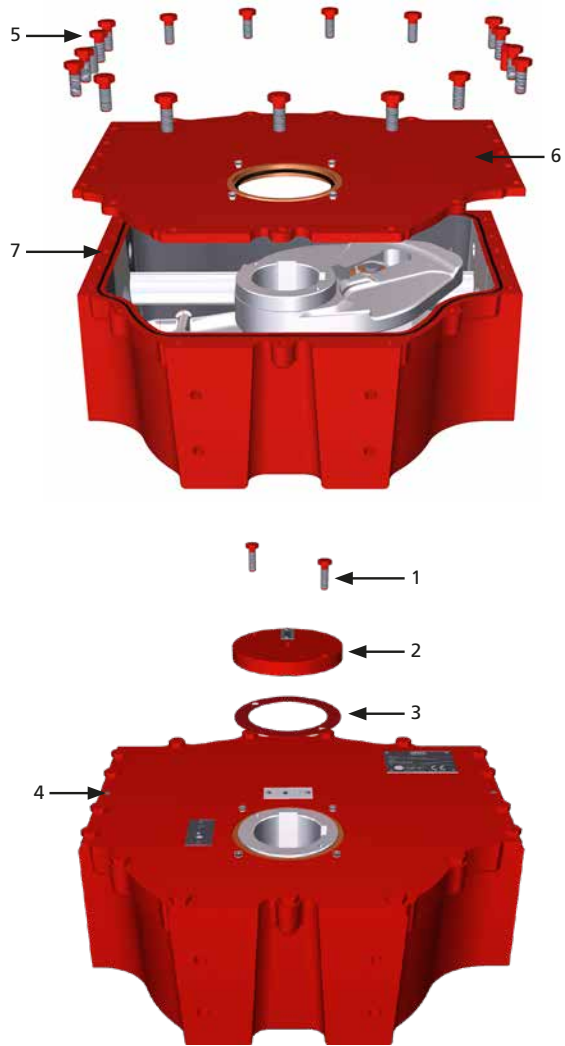
16. Periodic Maintenance

PM-GP-006		Page: 14/17
Component: Single-acting actuator / double-acting actuator	Task: Pneumatic cylinder and centre body seals replacement	
Equipment, Tools, Materials: Spare seals Wrench Lifting tools Project documentation	Warnings: 	
Preliminary Operations: Removal from Valve		
<p>67. Rotate the cylinder clockwise to screw piston rod (23) into guide block (14)</p> <p>68. Lock with set screw (16) within the guide block (14)</p> <p>69. Apply a film of Loctite 243 on bolts (24) and tighten following a cross-bolt tightening sequence to the recommended torque</p>		


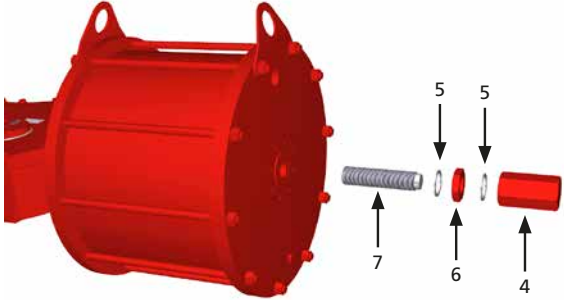
16. Periodic Maintenance

PM-GP-006		Page: 15/17
Component: Single-acting actuator / double-acting actuator	Task: Pneumatic cylinder and centre body seals replacement	
Equipment, Tools, Materials: Spare seals Wrench Lifting tools Project documentation	Warnings: 	
Preliminary Operations: Removal from Valve		
Instructions valid only for SINGLE-ACTING ACTUATOR 70. Restore eventual gasket or O-ring (see specific part list) between spring container and centre body 71. Position centring ring (D1) and slide spring container within the centre body		
Instructions valid only for SINGLE-ACTING ACTUATOR 72. Apply a film of Loctite 243 on bolts (D) and tighten to the recommended torque, following a cross-bolt tightening sequence  Lubricate the sliding components of the scotch yoke mechanism - see section 18.1 for grease specification.		
Instructions valid only for DOUBLE-ACTING ACTUATOR 73. Restore eventual gasket or O-ring (see specific part list) between spring container and centre body 74. Position flange (6)		
Instructions valid only for DOUBLE-ACTING ACTUATOR 75. Apply a film of Loctite 243 on bolts (7) and tighten bolts and nuts (4) to the recommended torque, following a cross-bolt tightening sequence  Lubricate the sliding components of the scotch yoke mechanism - see section 18.1 for grease specification.		



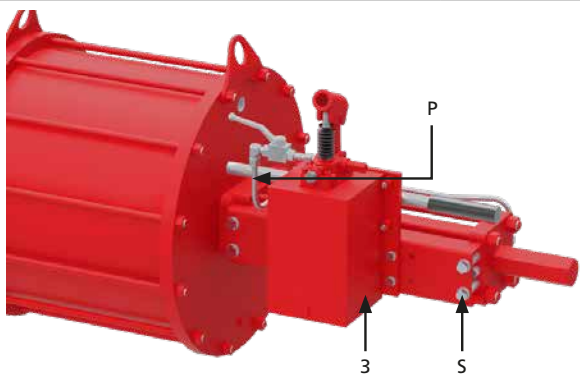
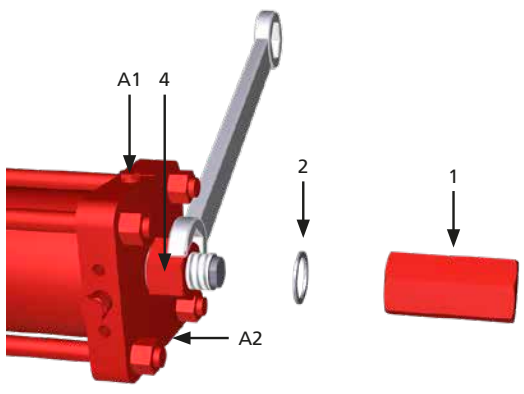
16. Periodic Maintenance

PM-GP-006	Page: 16/17
Component: Single-acting actuator / double-acting actuator	Task: Pneumatic cylinder and centre body seals replacement
Equipment, Tools, Materials: Spare seals Wrench Lifting tools Project documentation	Warnings: 
Preliminary Operations: Removal from Valve	
76. Replace O-ring (7) 77. Position the cover (6) on the centre body 78. Fix parallel pins (4) and tighten bolts (5) 79. Restore position indicator (2) with relative gasket (3) and tighten bolts (1)	


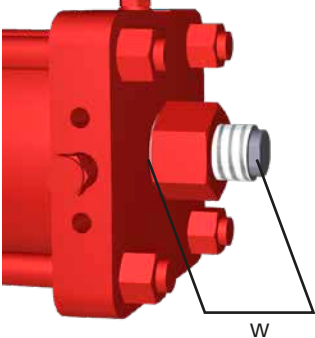
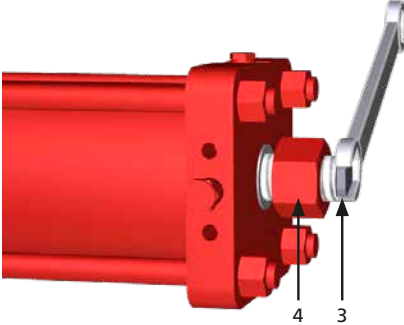
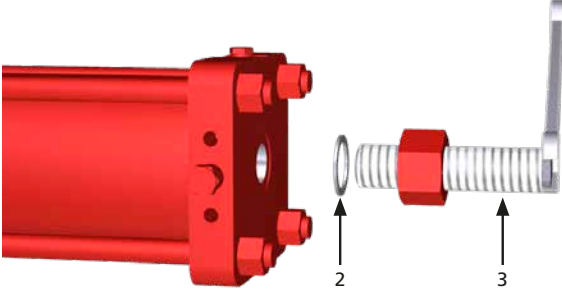
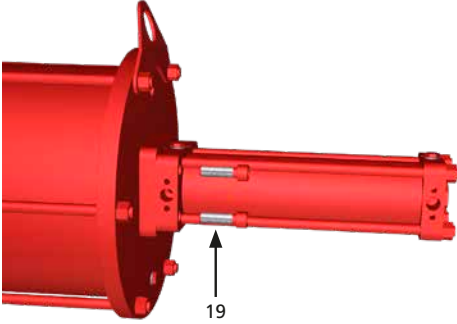
16. Periodic Maintenance

PM-GP-006		Page: 17/17
Component: Single-acting actuator / double-acting actuator	Task: Pneumatic cylinder and centre body seals replacement	
Equipment, Tools, Materials: Spare seals Wrench Lifting tools Project documentation	Warnings: 	
Preliminary Operations: Removal from Valve		
<p>80. With the help of a wrench, screw the stop bolt (7) into the cylinder flange</p> <p>81. Insert the seal washer (5) and, holding the stop bolt (7) with a wrench, tighten the stop nut (6)</p> <p>82. Insert the second seal washer (5) and tighten the cap nut (4)</p> <p>83. Note: before tightening both the stop nut (6) and the cap nut (4), always make sure the two washers (5) are correctly positioned</p> <p>Refer to Angular Stroke Setting instructions (section 12.7).</p>		
<p>84. Assemble the components on the centre body cover (if any)</p> <p>85. Assemble the control panel, if any, on the central body</p> <p>The actuator must be tested before it is assembled on the valve.</p> <p>86. Place the actuator in a stable position, e.g. on a workbench</p> <p>87. Connect the pneumatic supply to the actuator and cycle the actuator several times, verify smooth functioning and absence of leakages</p> <p>88. Check painted parts, if necessary repaint them per the applicable painting specifications</p> <p>The actuator is now ready to be assembled on the valve.</p>		



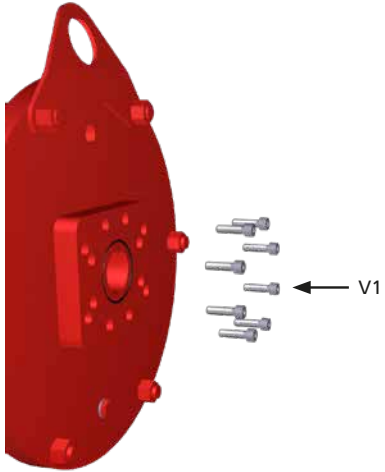
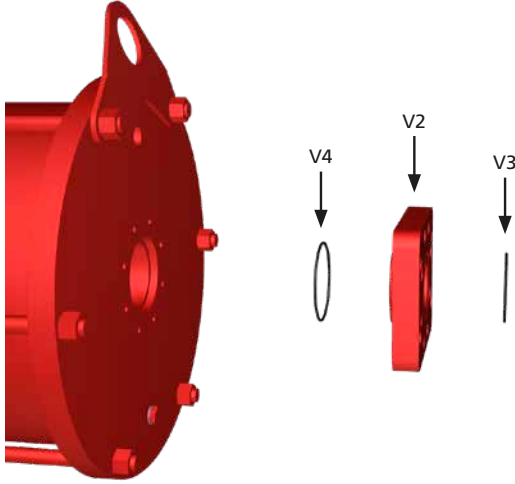
16. Periodic Maintenance

		PM-GP-007	Page: 1/9
Component: Single-acting actuator / double-acting actuator		Task: Hydraulic cylinder for manual override seals replacement	
Equipment, Tools, Materials: Spare seals Wrench Lifting tools Project documentation		Warnings: 	
Preliminary Operations: Removal from Valve			
Description:			
Note: the following instructions apply both to single-acting and double-acting actuator unless otherwise specified.			
 Cut-off power supply and electric power supply (if present) before performing any operation.			
Preliminary actions			
<ol style="list-style-type: none"> 1. Verify actuator is in the fail position (single-acting) and not pressurised 2. Remove actuator from valve (section 11) 3. Position the actuator on a workbench (if possible) or in a stable position and in a clean and closed area 4. Remove any control equipment (if presents). Refer to the project specific documentation 5. Remove pipes 			
<ol style="list-style-type: none"> 6. Remove hydraulic pipe (P) 7. Unscrew bolts (S) and remove hydraulic pump assembly (3) 			
<ol style="list-style-type: none"> 8. Remove plugs A1 and A2 to drain oil 9. Collect oil and dispose of properly 10. Hold stop nut (4) with a wrench, unscrew and remove cap nut (1) with seal washer (2) 			


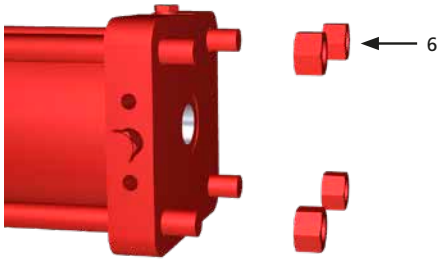
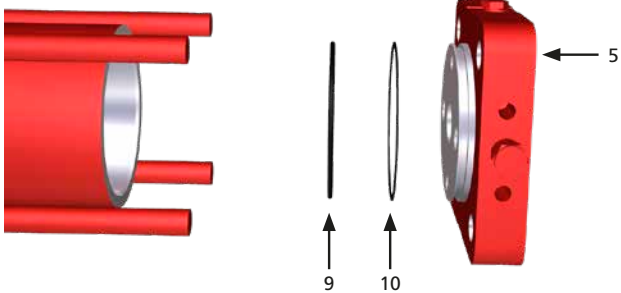
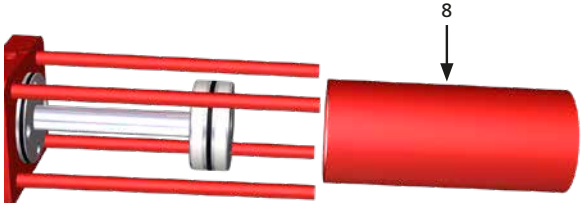
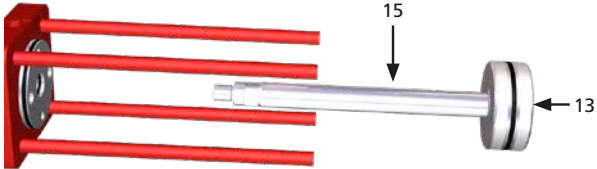
16. Periodic Maintenance

PM-GP-007		Page: 2/9
Component: Single-acting actuator / double-acting actuator	Task: Hydraulic cylinder for manual override seals replacement	
Equipment, Tools, Materials: Spare seals Wrench Lifting tools Project documentation	Warnings: 	
Preliminary Operations: Removal from Valve		
11. Measure length (W)		
12. Hold stop bolt (3) with a wrench and loosen the stop nut (4)		
13. Fully unscrew stop bolt (3) and remove seal washer (2) 14. Sustain the hydraulic cylinder adequately		
15. Remove bolts (19)		




16. Periodic Maintenance

		PM-GP-007	Page: 3/9
Component: Single-acting actuator / double-acting actuator		Task: Hydraulic cylinder for manual override seals replacement	
Equipment, Tools, Materials: Spare seals Wrench Lifting tools Project documentation		Warnings: 	
Preliminary Operations: Removal from Valve			
16. Remove hydraulic cylinder assembly from pneumatic cylinder group			
17. Unscrew and remove bolts (V1)			
18. Remove adapter flange (V2) with O-ring (V3) and (V4)			


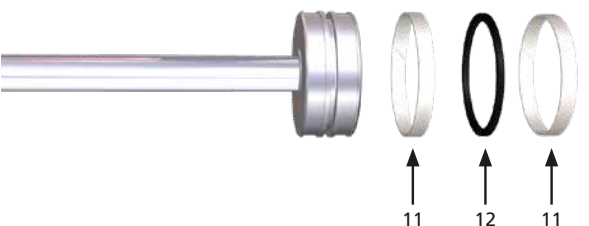
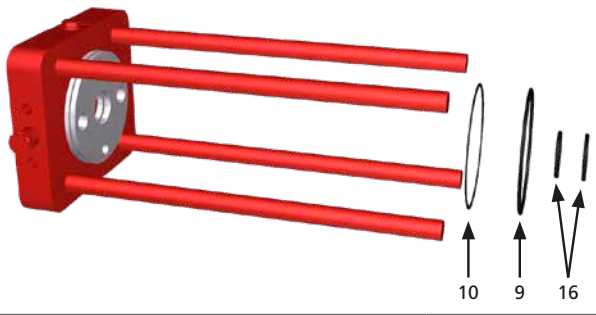
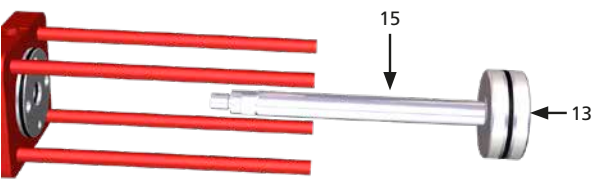
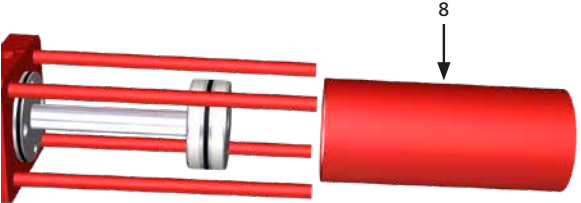
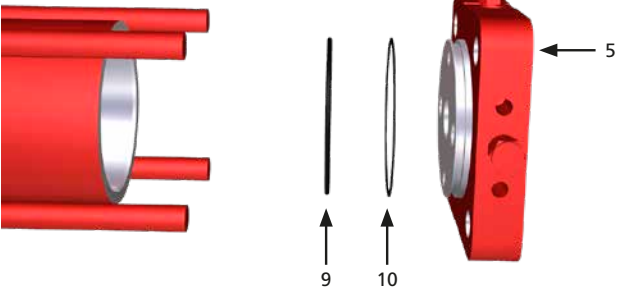
16. Periodic Maintenance

PM-GP-007		Page: 4/9
Component: Single-acting actuator / double-acting actuator	Task: Hydraulic cylinder for manual override seals replacement	
Equipment, Tools, Materials: Spare seals Wrench Lifting tools Project documentation	Warnings: 	
Preliminary Operations: Removal from Valve		
19. Unscrew bolts (6)		
20. Remove end flange (5) with O-ring (9) and back up ring (10)		
21. Remove cylinder tube (8)		
22. Remove piston assembly (13) and piston rod (15)		


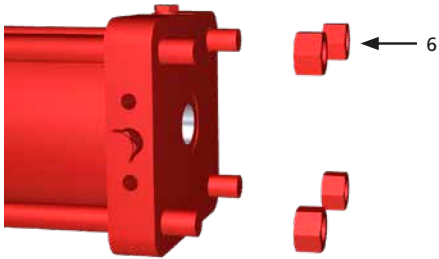
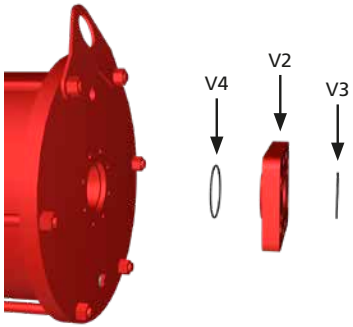
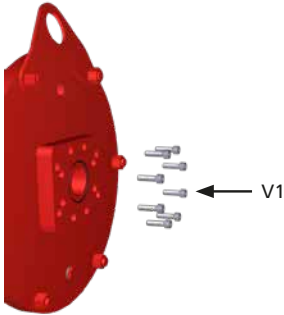
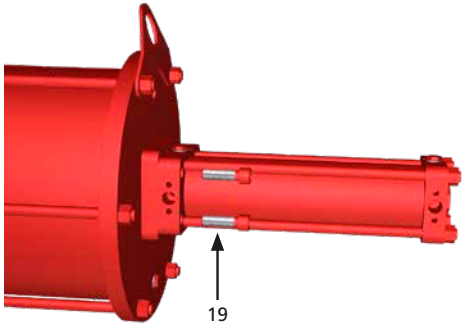
16. Periodic Maintenance

		PM-GP-007	Page: 5/9
Component: Single-acting actuator / double-acting actuator		Task: Hydraulic cylinder for manual override seals replacement	
Equipment, Tools, Materials: Spare seals Wrench Lifting tools Project documentation		Warnings: 	
Preliminary Operations: Removal from Valve			
23. Remove sliding ring (11) and O-ring (12)			
24. Remove O-ring (9), back-up ring (10) and piston rod seals (16) from the head flange			
25. Carefully clean all seals groove 26. Clean all removed parts 27. Replace all the mentioned seals and lubricate grooves recommended grease/oil 28. Lubricate all sliding parts			


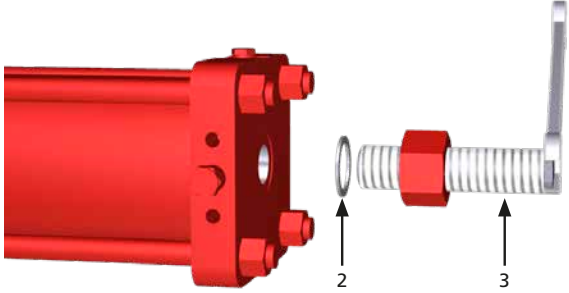
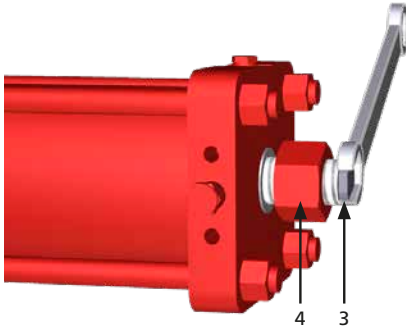
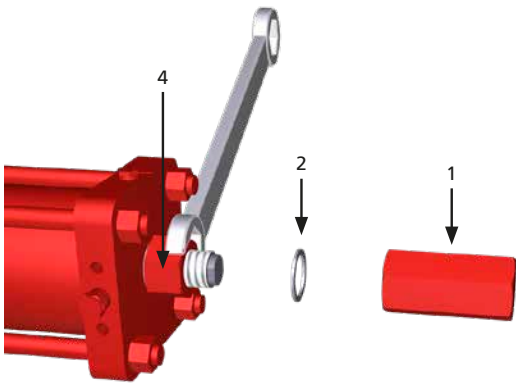
16. Periodic Maintenance

PM-GP-007		Page: 6/9
Component: Single-acting actuator / double-acting actuator	Task: Hydraulic cylinder for manual override seals replacement	
Equipment, Tools, Materials: Spare seals Wrench Lifting tools Project documentation	Warnings: 	
Preliminary Operations: Removal from Valve		
29. Assemble sliding ring (11) and O-ring (12) on piston (13)		
30. Install O-ring (9), back-up ring (10) and piston rod seals (16) on head flange (18)		
31. Install piston assembly (piston (23) and piston rod (15)) on head flange (18)		
32. Install cylinder tube (8)		
33. Install O-ring (9) and back-up ring (10) on end flange (5)		


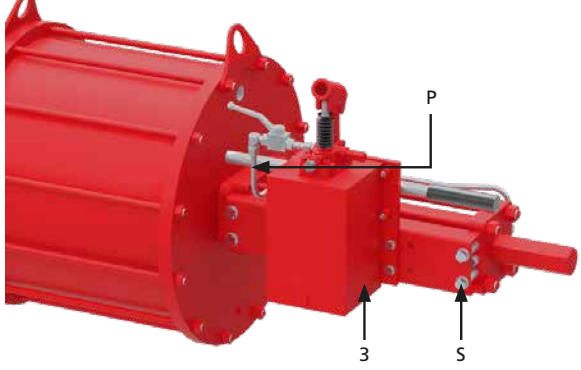
16. Periodic Maintenance

		PM-GP-007	Page: 7/9
Component: Single-acting actuator / double-acting actuator		Task: Hydraulic cylinder for manual override seals replacement	
Equipment, Tools, Materials: Spare seals Wrench Lifting tools Project documentation		Warnings: 	
Preliminary Operations: Removal from Valve			
34. Assemble end flange and tighten nuts (6) to the recommended tightening torque			
35. Assemble O-ring (V3) and (V4) on adapter flange (V2)			
36. Tighten bolts (V1) to the recommended tightening torque			
37. Install hydraulic cylinder and tighten bolts (19) to the recommended torque			

16. Periodic Maintenance

PM-GP-007		Page: 8/9
Component: Single-acting actuator / double-acting actuator	Task: Hydraulic cylinder for manual override seals replacement	
Equipment, Tools, Materials: Spare seals Wrench Lifting tools Project documentation	Warnings: 	
Preliminary Operations: Removal from Valve		
38. Assemble seal washer (2) in its correct position and stop bolt (3) to length W		
39. Hold stop bolt with a wrench and tighten stop nut (4)		
40. Hold stop nut (4) install seal washer (2) in its correct position and tighten cap nut (1)		

16. Periodic Maintenance

		PM-GP-007	Page: 9/9
Component: Single-acting actuator / double-acting actuator		Task: Hydraulic cylinder for manual override seals replacement	
Equipment, Tools, Materials: Spare seals Wrench Lifting tools Project documentation		Warnings: 	
Preliminary Operations: Removal from Valve			
41. Assemble hydraulic pump (3) with its support and tighten bolts (S) 42. Install pipe (P)			
43. Use the hand pump to cycle the actuator and check the absence of leakages 44. Check painted parts and if necessary paint according painting cycle			

17. Part List

Centre body (Cast iron) Size 085

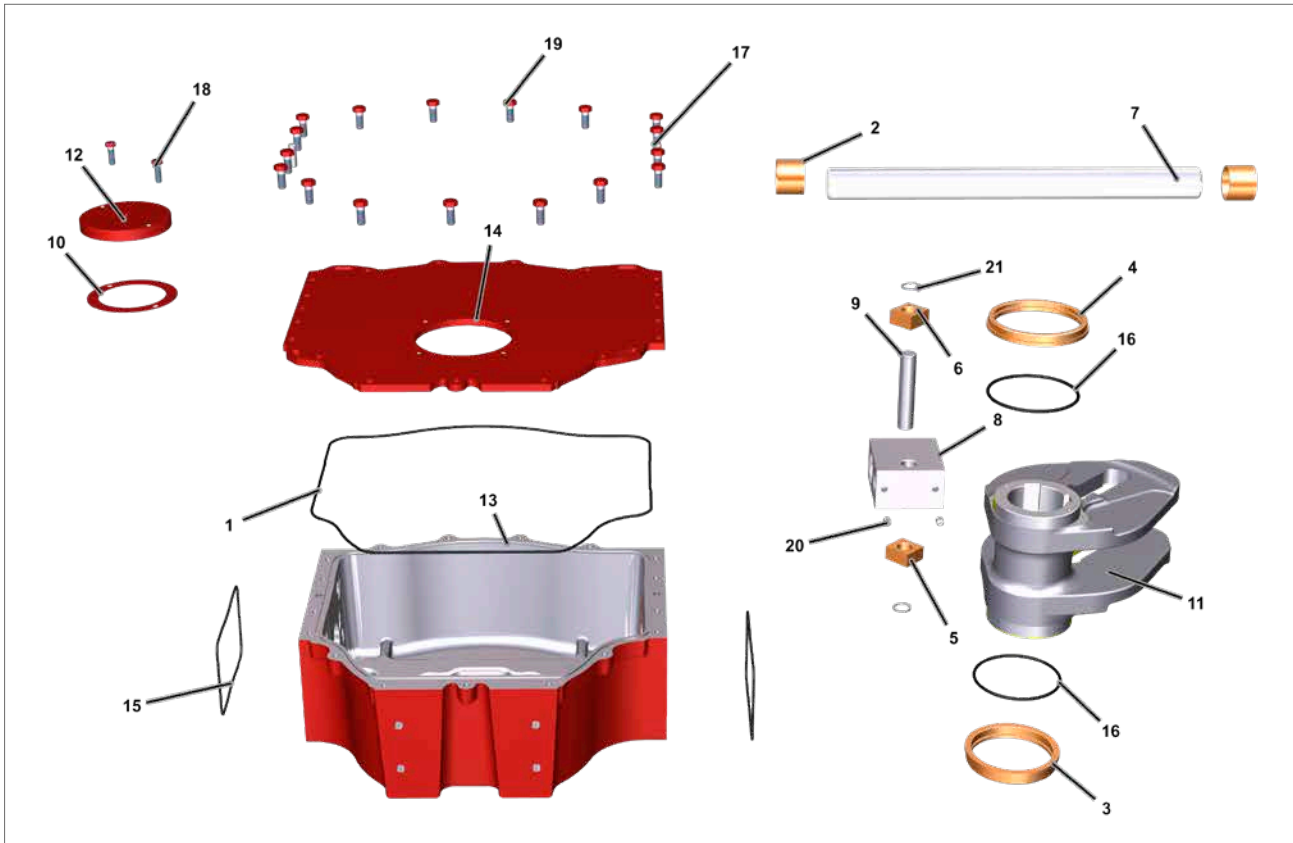


Fig 17.1 Centre body (Cast iron) (Actuator size 085)

ITEM	DESCRIPTION		QTY
1	O-ring	●	1
2	Guide bar bushing		2
3	Yoke bushing		1
4	Yoke bushing		1
5	Sliding block		1
6	Sliding block		1
7	Guide bar		1
8	Guide block		1
9	Yoke pin		1
10	Position indicator gasket	●	1
11	Scotch yoke		1
12	Position indicator		1
13	Housing		1
14	Cover		1
15	O-ring	●	2
16	O-ring	●	2
17	Parallel pin		2

ITEM	DESCRIPTION		QTY
18	Screw		2
19	Screw		17
20	Set screw		2
21	Circlip		2

● Recommended spare part

17. Part List

Centre body (Cast iron) Size 130

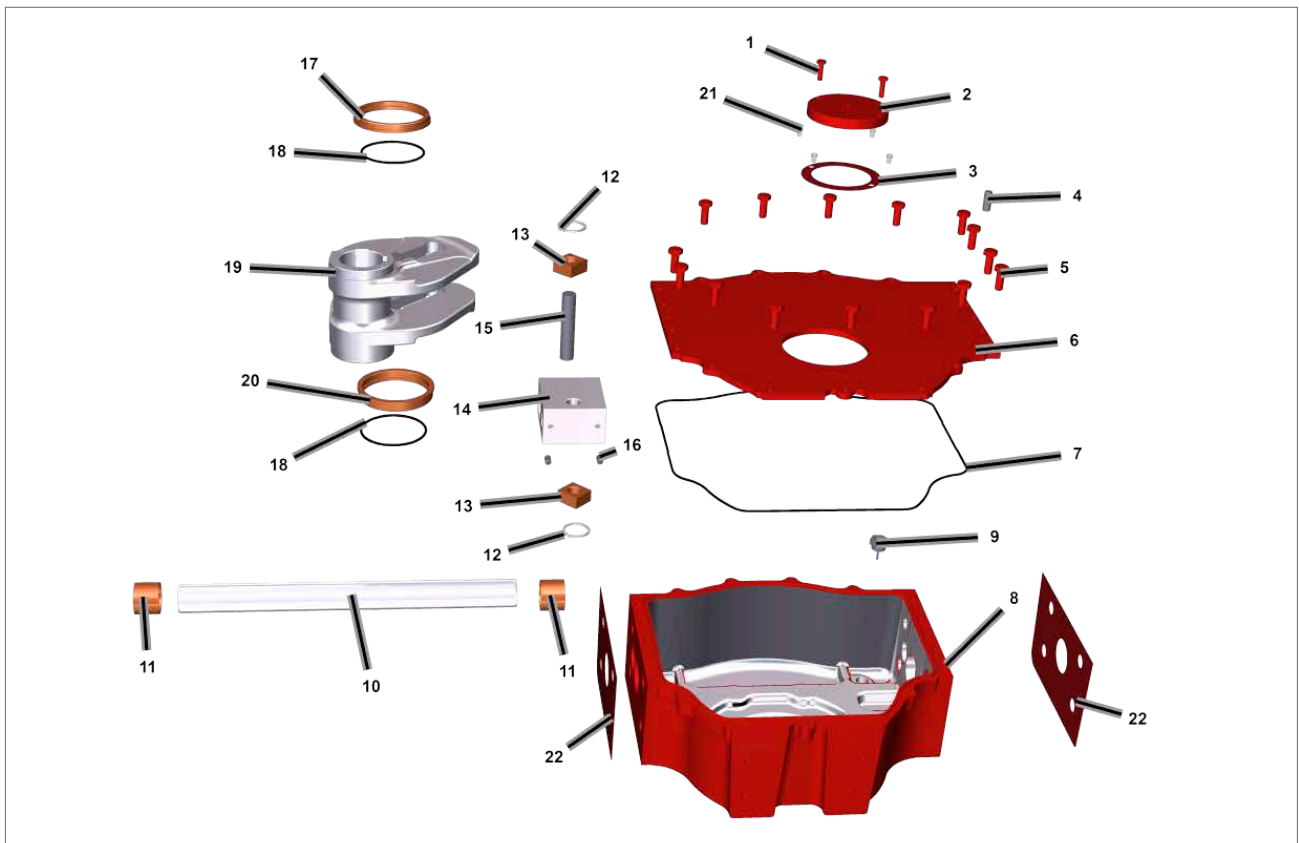


Fig 17.2 Centre body (Cast iron) (Actuator size 130)

ITEM	DESCRIPTION	QTY
1	Screw	2
2	Position indicator	1
3	Position indicator gasket	● 1
4	Parallel pin	2
5	Screw	15
6	Cover	1
7	O-ring	● 1
8	Housing	1
9	Safety valve	1
10	Guide bar	1
11	Guide bar bushing	2
12	Retaining ring	2
13	Sliding block	2
14	Guide block	1
15	Yoke pin	1
16	Set screw	2
17	Upper bushing	1

ITEM	DESCRIPTION	QTY
18	O-ring	● 2
19	Scotch yoke	1
20	Lower bushing	1
21	Screw	4
22	Gasket	● 2

● Recommended spare part

17. Part List

Centre body (Welded) Size 65-85-100-130-161-350

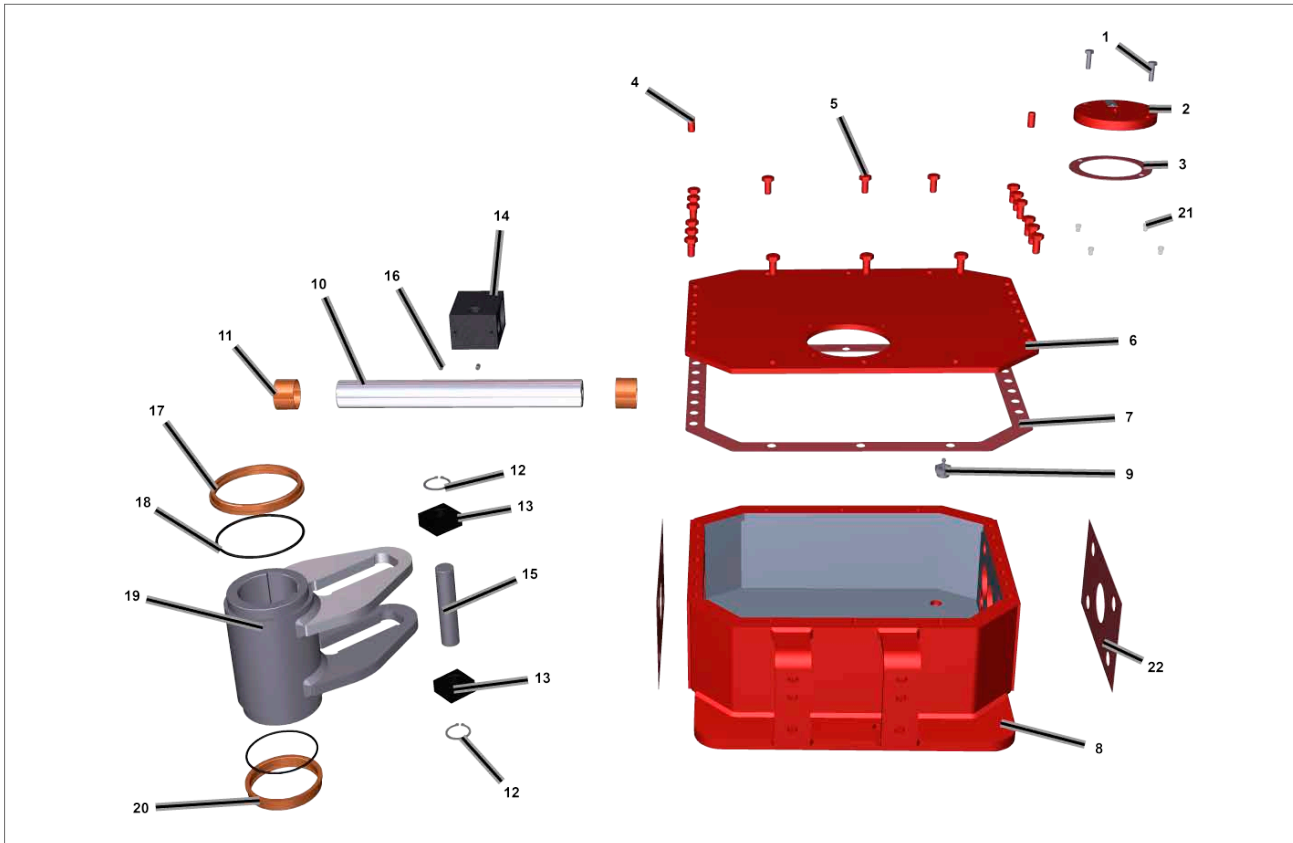


Fig 17.3 Centre body (Welded) (Actuator size 065, 85, 100, 130, 161, 350)

ITEM	DESCRIPTION	QTY
1	Screw	2
2	Position indicator	1
3	Position indicator gasket	● 1
4	Parallel pin	2
5	Screw	***
6	Cover	1
7	Cover gasket	● 1
8	Housing	1
9	Safety valve	1
10	Guide bar	1
11	Guide bar bushing	2
12	Circlip	2
13	Sliding block	2
14	Guide block	1
15	Yoke pin	1
16	Set screw	2
17	Upper bushing	1

ITEM	DESCRIPTION	QTY
18	O-ring	● 2
19	Scotch yoke	1
20	Lower bushing	1
21	Screw	4
22	Gasket	● 2

● Recommended spare part

(***) = number of screws per arm size

17. Part List

Centre body (Cast iron) Size 161

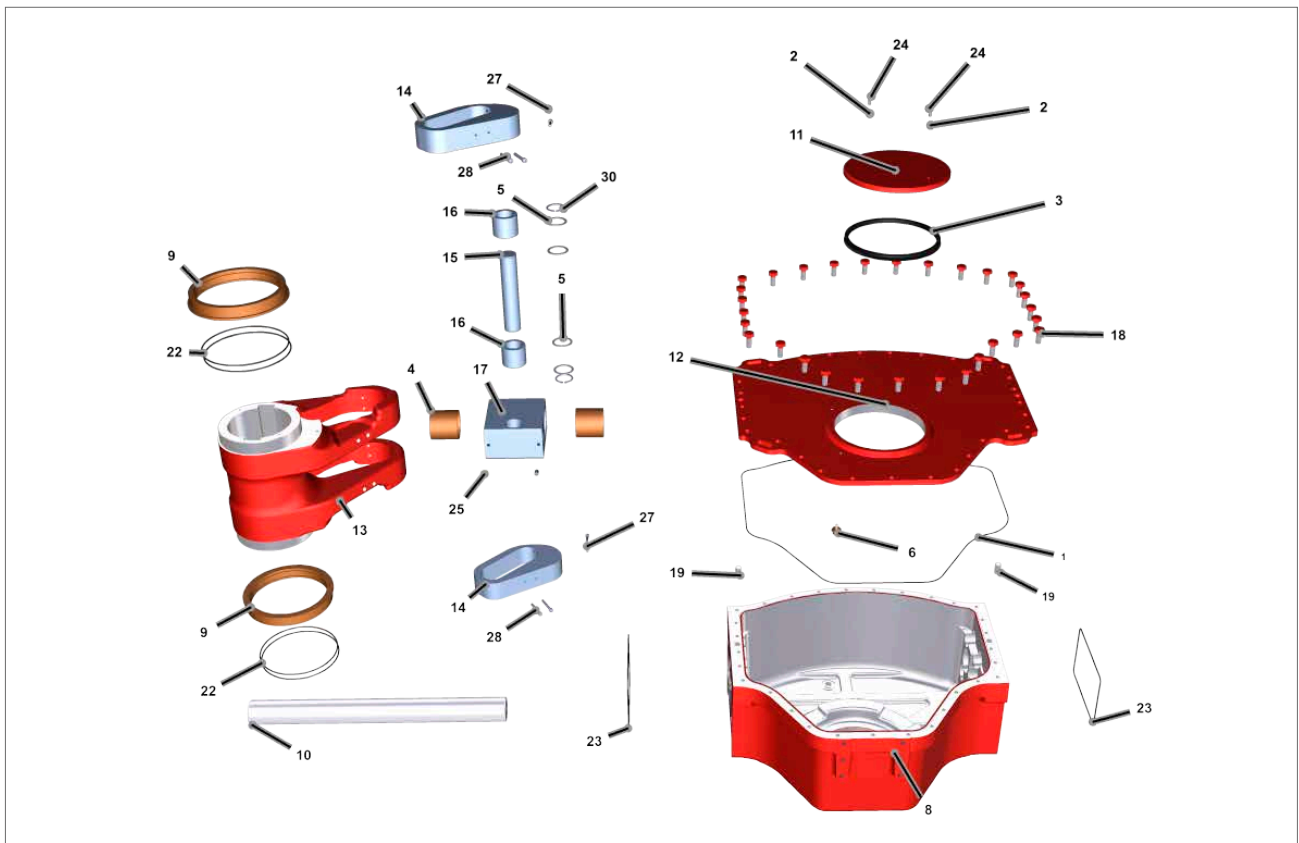


Fig 17.4 Centre body (Cast iron) (Actuator size 161)

ITEM	DESCRIPTION		QTY
1	O-ring	●	1
2	Washer		2
3	Position indicator seal	●	1
4	Guide bar bushing		2
5	Washer		4
6	Safety valve		1
8	Housing		1
9	Yoke bushing		2
10	Guide bar		1
11	Position indicator		1
12	Cover		1
13	Scotch yoke		1
14	Insert		2
15	Yoke pin		1
16	Bearing		2
17	Guide block		2

ITEM	DESCRIPTION		QTY
18	Screw		30
19	Parallel pin		2
22	O-ring	●	4
23	O-ring	●	2
24	Screw		2
25	Set screw		2
27	Screw		2
28	Screw		2
30	Circlip		2

● Recommended spare part

17. Part List

Centre body (Welded) Size 200-201-270-271

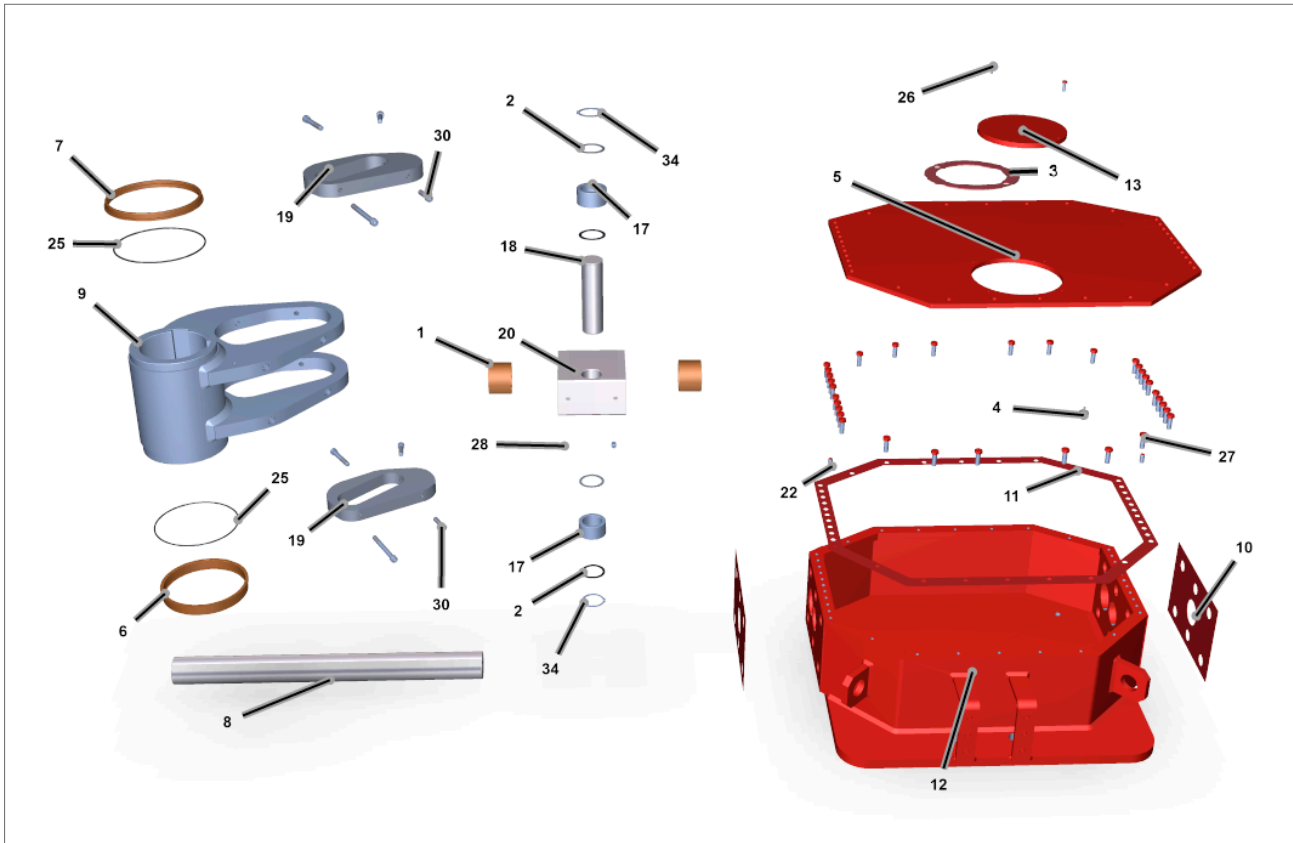


Fig 17.5 Centre body (Welded) (Actuator size 200, 201, 270, 271)

ITEM	DESCRIPTION	QTY
1	Guide bar bushing	2
2	Washer	2
3	Position indicator gasket ●	1
4	Safety valve	1
5	Cover	1
6	Lower bushing	1
7	Upper bushing	1
8	Guide bar	1
9	Yoke	1
10	Gasket ●	2
11	Cover gasket ●	1
12	Housing	1
13	Position indicator	1
17	Bearing	2

● Recommended spare part

(***) = number of screws per arm size

ITEM	DESCRIPTION	QTY
18	Yoke pin	1
19	Insert	2
20	Guide block	1
22	Parallel pin	2
25	O-ring ●	2
26	Screw	1
27	Screw	***
28	Set screw	2
30	Screw	2
34	Circlip	2

17. Part List

Pneumatic cylinder

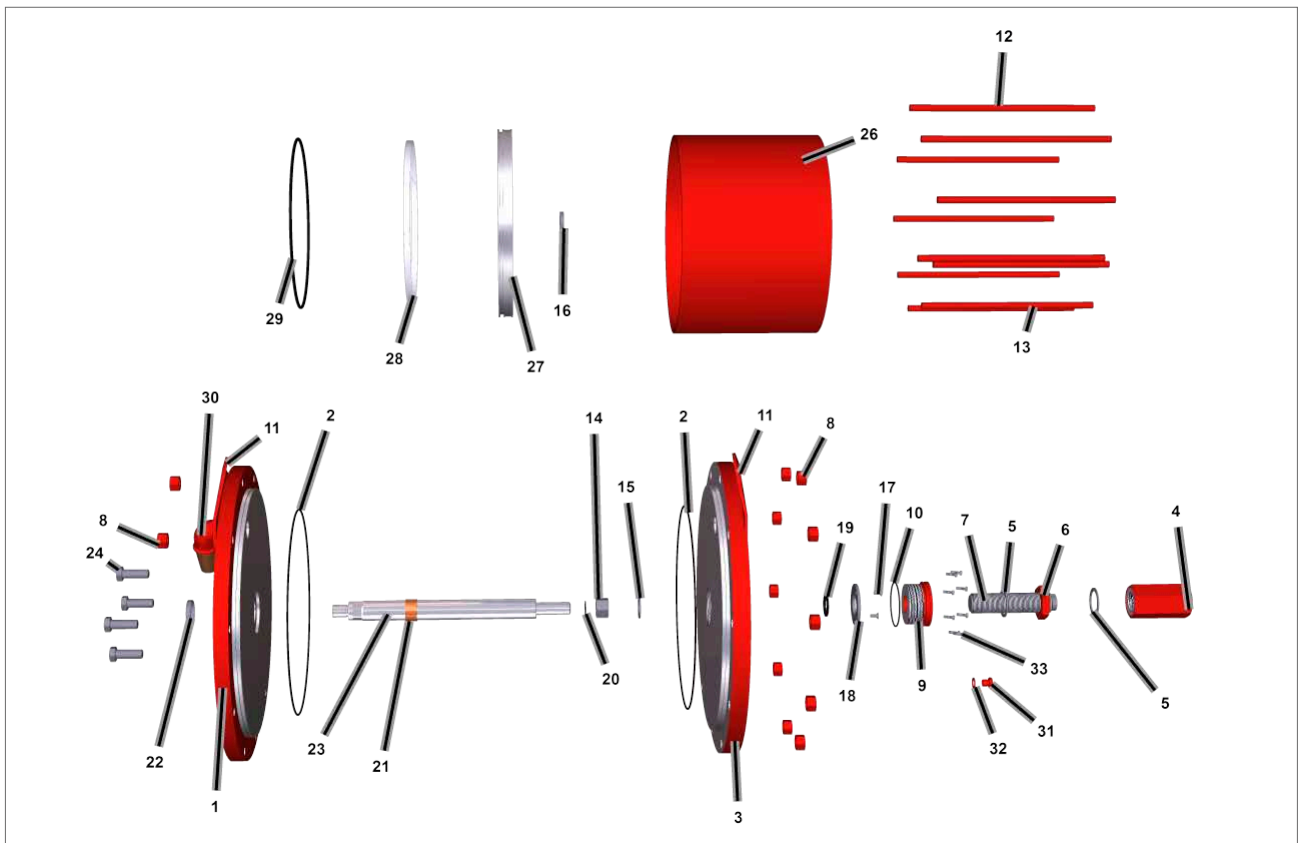


Fig 17.6 Pneumatic cylinder

ITEM	DESCRIPTION	QTY
1	Head flange	1
2	O-ring	● 2
3	End flange	1
4	Cap nut	1
5	Seal washer/O-ring (**)	● 2
6	Stop nut	1
7	Stop bolt	1
8	Nut	**
9	Adapter flange	1
10	O-ring	● 1
11	Lifting plate	2
12	Tie rod	**
13	Long tie rod	**
14	Nut	1
15	Washer	1
16	Shoulder washer	1

ITEM	DESCRIPTION	QTY
17	Screw	2
18	Seal support flange	1
19	O-ring	● 1
20	O-ring	● 1
21	Bushing	1
22	Centring ring	1
23	Piston rod	1
24	Screw	***
26	Cylinder tube	1
27	Piston	1
28	Sliding ring	● 1
29	Piston seal	● 1
30	Silencer	1
31	Plug	2
32	Seal washer	2
33	Screw	****

● Recommended spare part

(**) = Number of tie rods and nut depending on cylinder size

(***) = Number and size of screw depending on arm size

(****) = Number and size of screw depending on cylinder size

17. Part List

Pneumatic cylinder

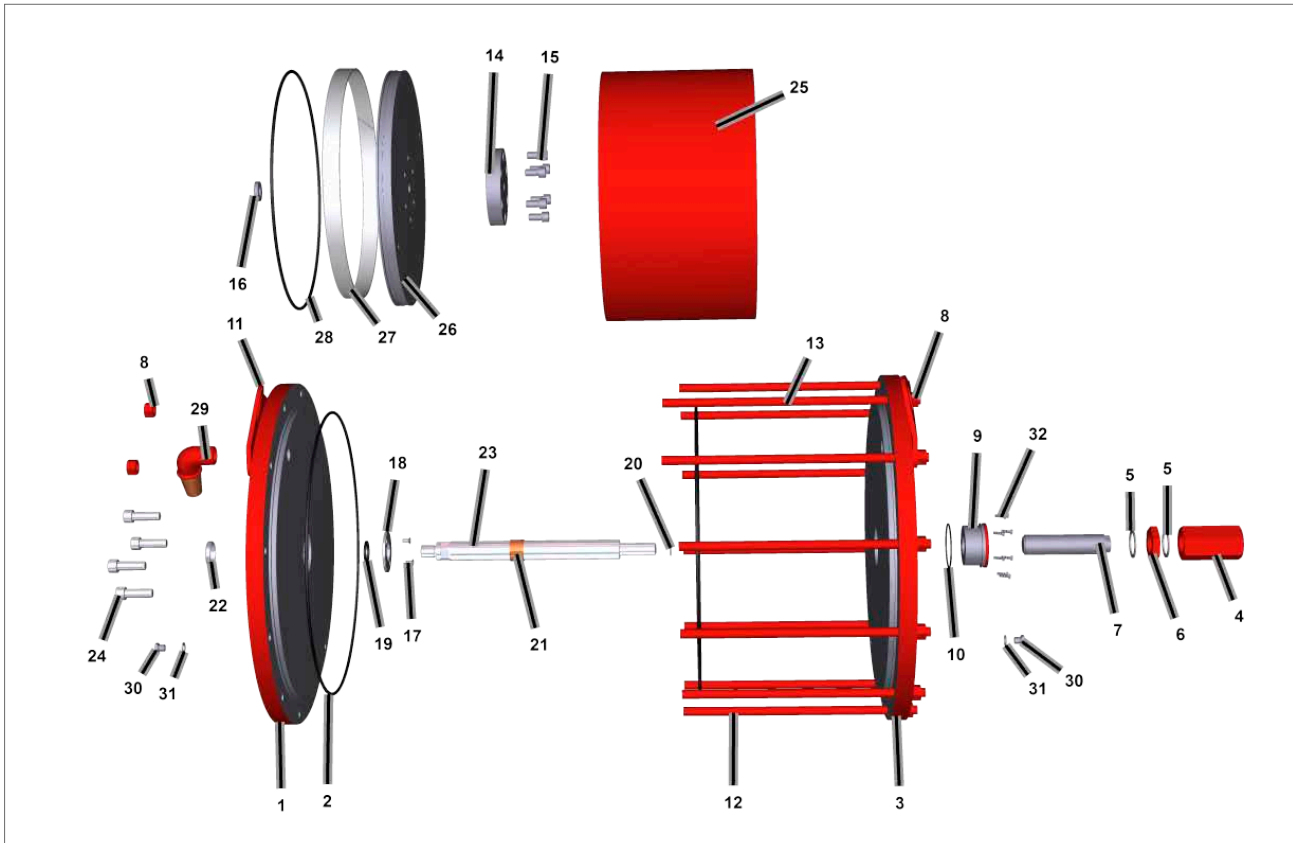


Fig 17.7 Pneumatic cylinder

ITEM	DESCRIPTION	QTY
1	Head flange	1
2	O-ring	● 2
3	End flange	1
4	Cap nut	1
5	Seal washer/O-ring (**)	● 2
6	Stop nut	1
7	Stop bolt	1
8	Nut	**
9	Adapter flange	1
10	O-ring	● 1
11	Lifting plate	2
12	Long Tie rod	**
13	Tie rod	**
14	Adapter flange	1
15	Screw	8
16	Centring ring	1

ITEM	DESCRIPTION	QTY
17	Screw	2
18	Seal support flange	1
19	O-ring	● 1
20	O-ring	● 1
21	Bushing	1
22	Centring ring	1
23	Piston rod	1
24	Screw	***
25	Cylinder tube	1
26	Piston	1
27	Sliding ring	● 1
28	Piston seal	● 1
29	Silencer	1
30	Plug	2
31	Seal washer	2
32	Screw	****

● Recommended spare part

(**) = Number of tie rods and nut depending on cylinder size

(***) = Number and size of screw depending on arm size

(****) = Number and size of screw depending on cylinder size

17. Part List

Spring container

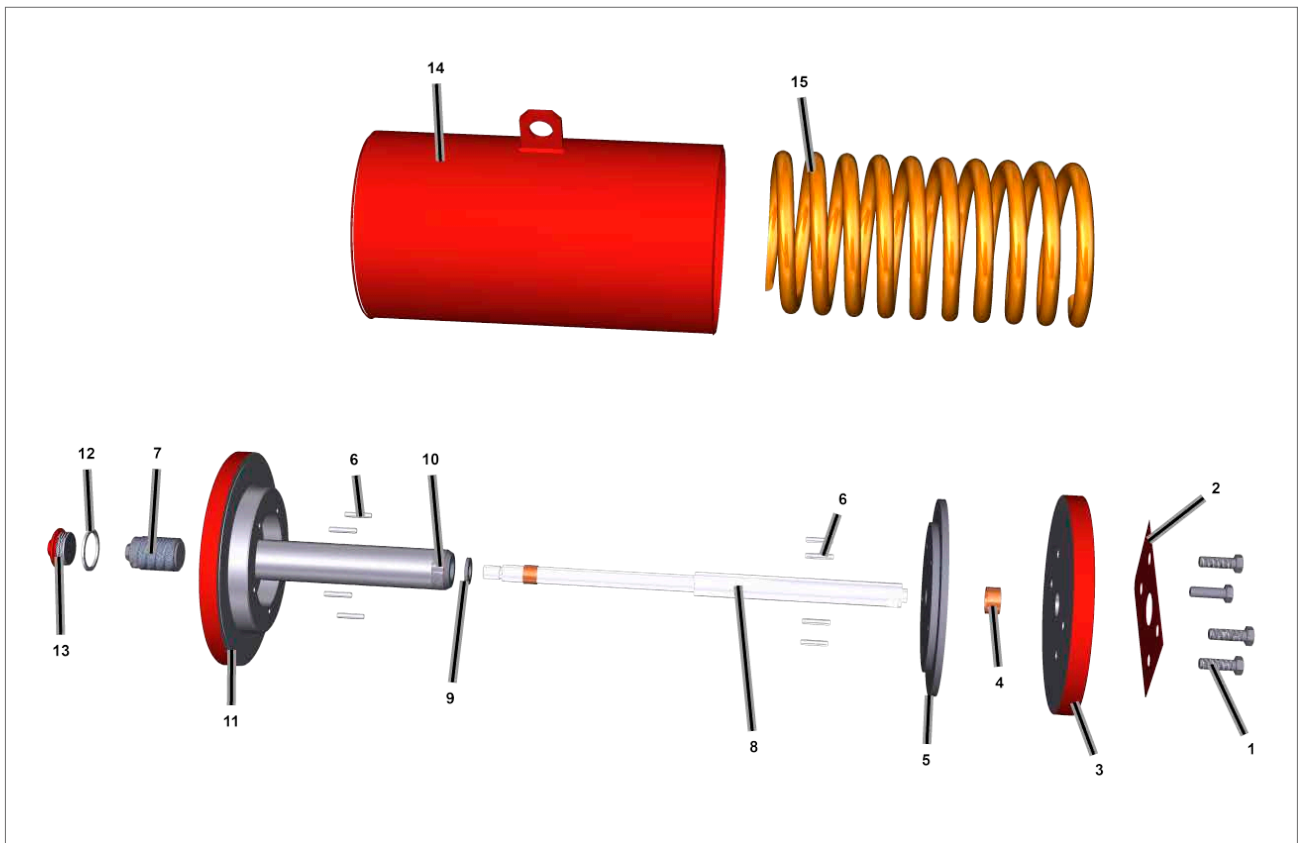


Fig 17.8 Spring container

ITEM	DESCRIPTION	QTY
1	Screw	**
2	Gasket	1
3	Head flange	1
4	Bushing	1
5	Spring driving flange	1
6	Elastic pin	8
7	Stop bolt	2
8	Rod	1
9	Washer	1
10	Nut	1
11	End flange	1
12	Seal washer/O-ring	● 2
13	Plug	1
14	Spring container	1
15	Spring	**

● Recommended spare part

(*) = Number of screws depending on size

(**) = Number of springs depending on size

17. Part List

Centre body closure flange

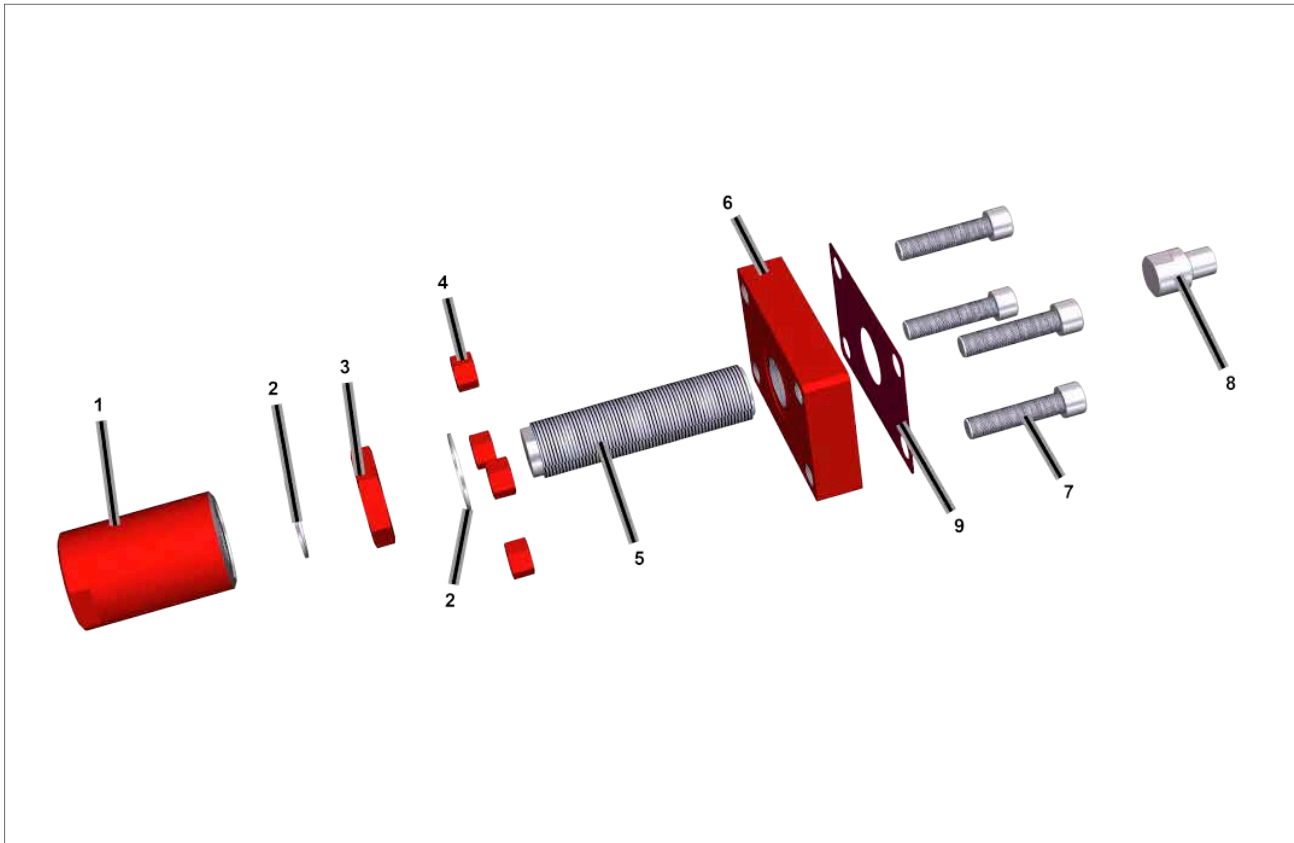


Fig 17.9 Centre body closure flange

ITEM	DESCRIPTION	QTY
1	Cap nut	1
2	Seal washer/O-ring	● 2
3	Stop nut	1
4	Nut	***
5	Stop bolt	1
6	Flange	1
7	Screw	***
8	Guide block plug	1
9	Gasket/O-ring	● 1

● Recommended spare part

(***) = Number and size of screw depending on arm size

17. Part List

Hydraulic cylinder for manual override

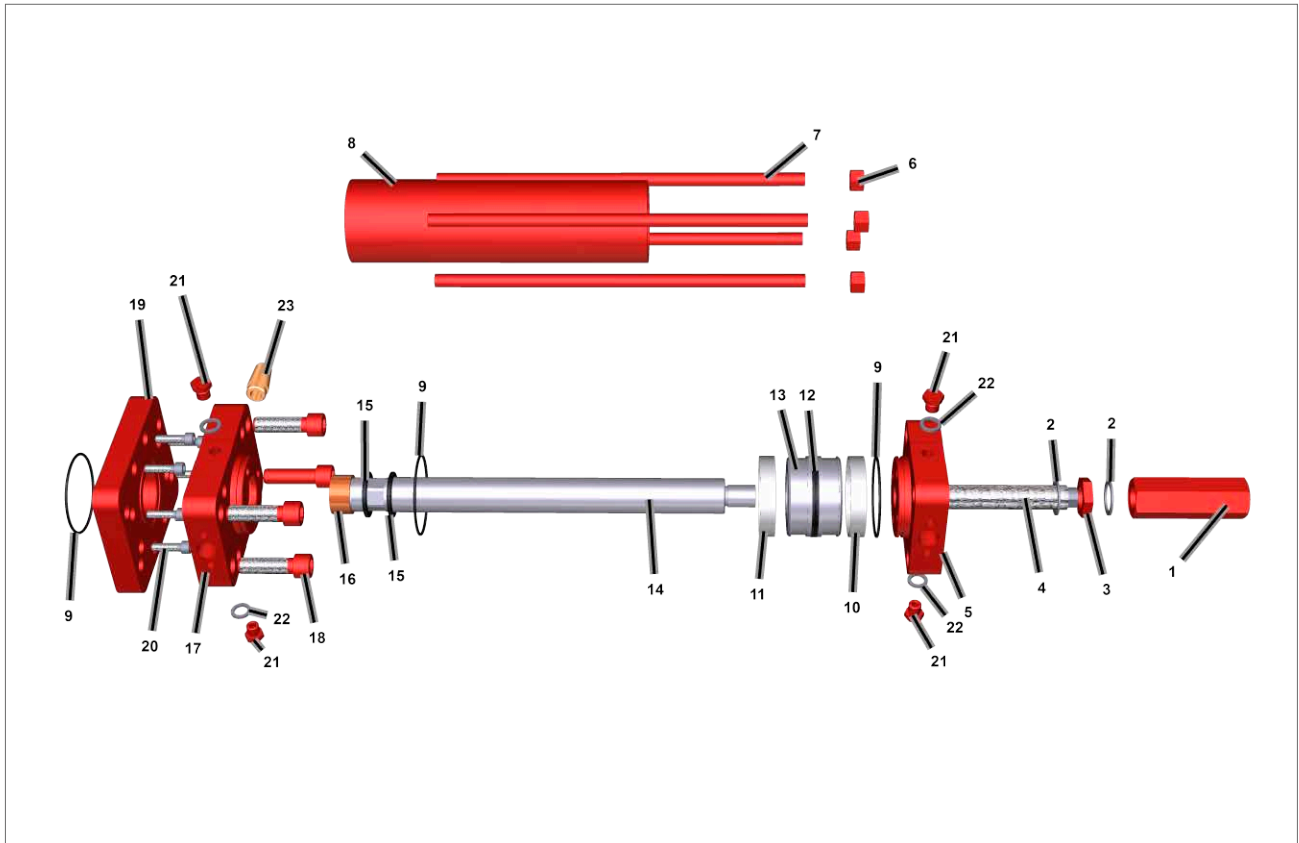


Fig 17.10 Hydraulic cylinder for manual override

ITEM	DESCRIPTION		QTY
1	Cap nut		1
2	Seal washer/O-ring	●	2
3	Stop nut		1
4	Stop bolt		1
5	End flange		1
6	Nut		**
7	Tie rod		**
8	Cylinder tube		1
9	O-ring (+ back up ring)	●	3
10	Sliding ring	●	1
11	Sliding ring	●	1
12	Piston seal	●	1
13	Piston		1
14	Piston rod		1
15	Piston rod seal	●	2

ITEM	DESCRIPTION		QTY
16	Bushing		1
17	Head flange		1
18	Hex bolt		4
19	Adapter flange (*)		1
20	Screw (*)		8
21	Plug		4
22	Washer		4
23	Silencer		

● Recommended spare part

(**) = Number of tie rods and nut depending on cylinder size

(*) = If requested

17. Part List

Mechanical manual override M-MH

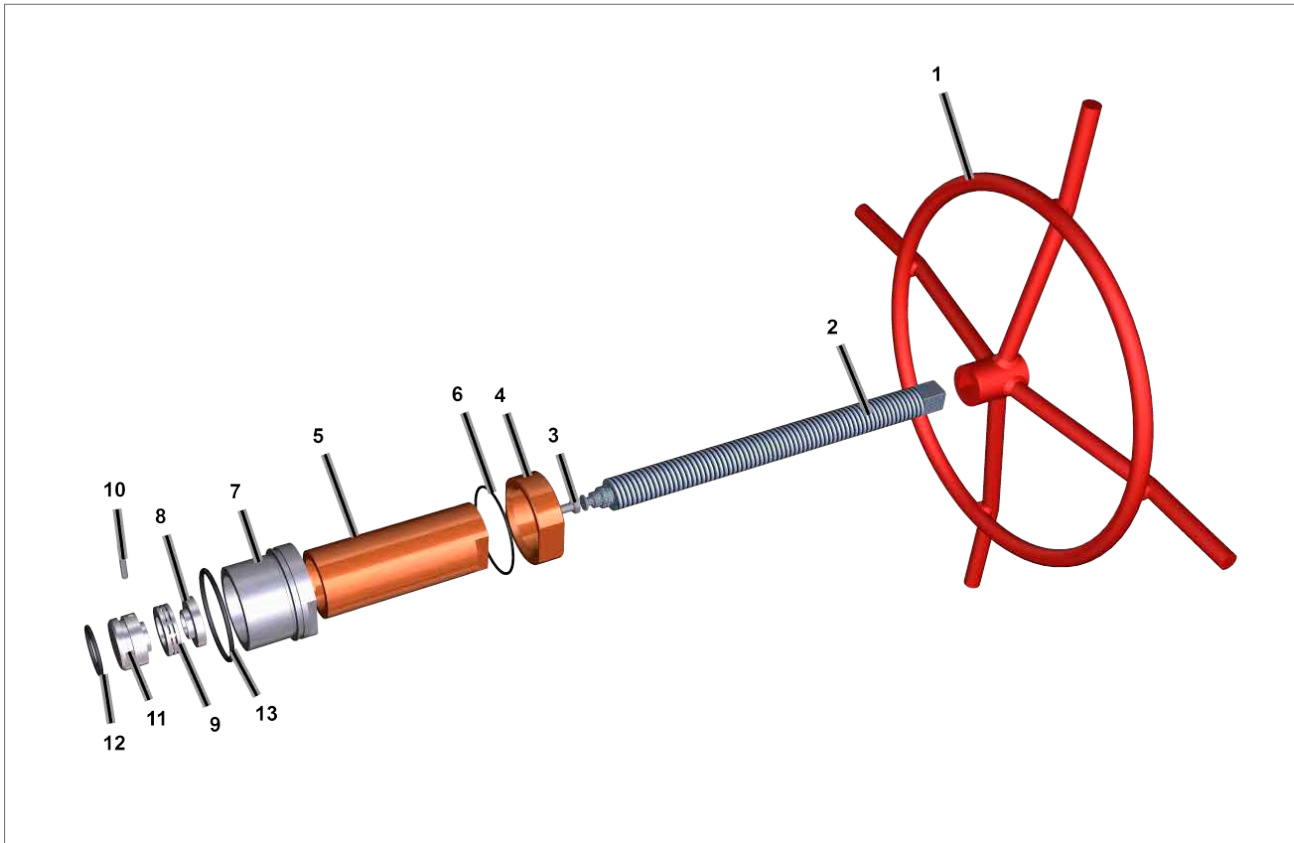


Fig 17.11 Mechanical manual override M-MH

ITEM	DESCRIPTION	QTY
1	Handwheel (**)	1
2	Jackscrew	1(*)
3	Screw + Washer	1
4	Nut	1
5	Setting dowel	1
6	O-ring	● 1
7	Adapter Flange	1
8	Back plate	1
9	Bearing	1
10	Slotted spring pin	1
11	Front plate	1
12	O-ring	● 1
13	O-ring	● 1

● Recommended spare part

(*) = Left threaded jackscrew for fail to close actuator
 Right threaded jackscrew for fail to open actuator

(**) = only for MH

17. Part List

Mechanical manual override MHD

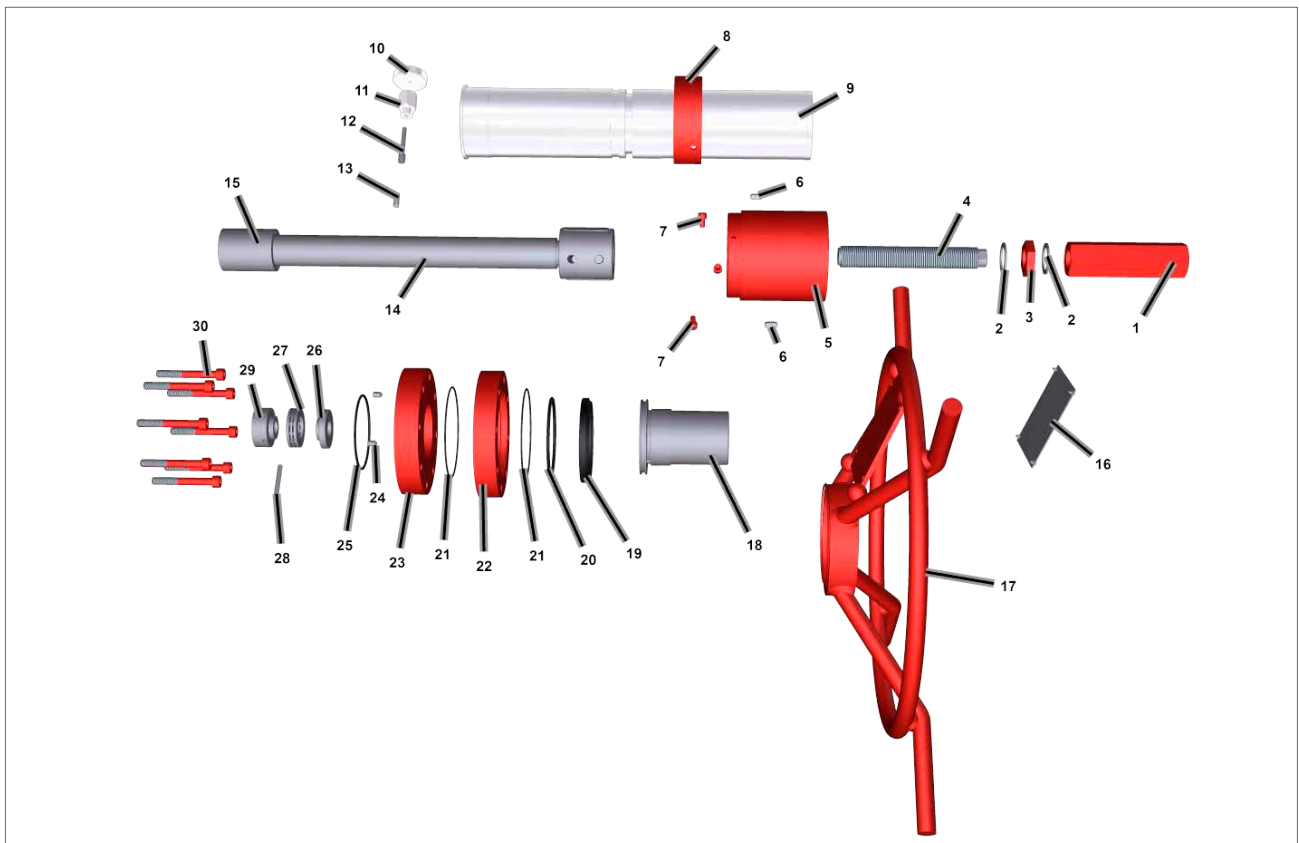


Fig 17.12 Mechanical manual override MHD

ITEM	DESCRIPTION	QTY
1	Cap nut	1
2	Seal washer	2
3	Stop nut	1
4	Stop bolt	1
5	Wheel Hub	1
6	Key	2
7	Screw	3
8	Ring switch	1
9	Protection pipe	1
10	Back plate	1
11	Bushing	1
12	Key	2
13	Pin	2
14	Knob	1
15	Hex body	1

ITEM	DESCRIPTION	QTY
16	Data plate	1
17	Handwheel	1
18	Ring nut	1
19	Scraper ring	● 1
20	O-ring	● 1
21	O-ring	● 1
22	Closure flange	1
23	End cap	1
24	Parallel pin	2
25	O-ring	● 1
26	Back plate	1
27	Bearing	1
28	Set screw	1
29	Front plate	1
30	Hex bolt	8

● Recommended spare part

17. Part List

Spare parts mechanical manual override MD

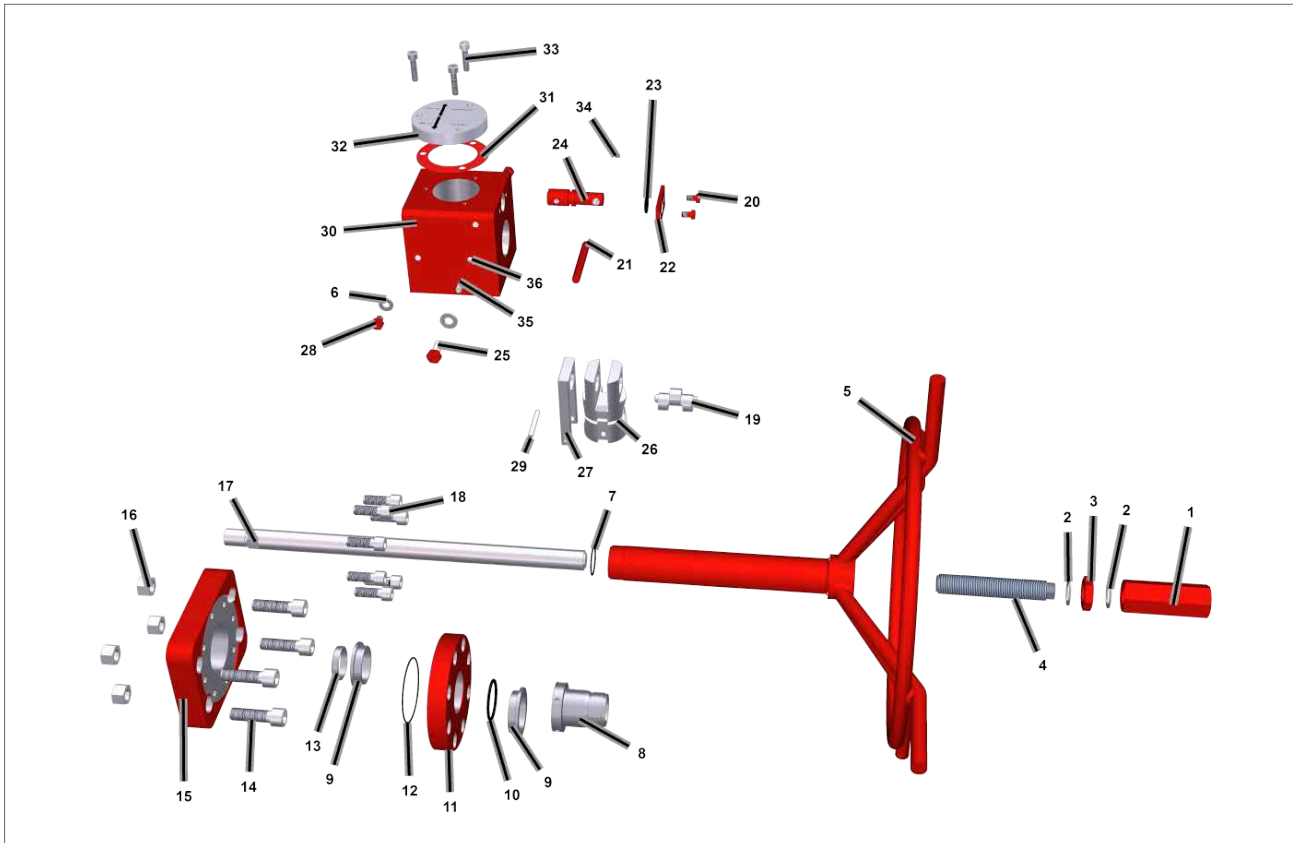


Fig 17.13 Spare parts mechanical manual override MD

ITEM	DESCRIPTION	QTY
1	Cap nut	1
2	Seal washer	2
3	Stop nut	1
4	Stop bolt	1
5	Handwheel	1
6	Washer	2
7	O-ring	● 1
8	Ring	1
9	Bush	1
10	O-ring	1
11	Adapter flange	1
12	O-ring	● 1
13	Centring ring	1
14	Hex bolt	4
15	Adapter flange	1
16	Nut	4
17	Jackscrew	1
18	Hex bolt	8

ITEM	DESCRIPTION	QTY
19	Cam	1
20	Hex screw	2
21	Parallel pin	1
22	Flange	1
23	O-ring	● 1
24	Activator	1
25	Hex bolt	1
26	Spindle nut	1
27	Spindle nut fork	1
28	Screw	1
29	Set screw	1
30	Housing	1
31	Gasket	● 1
32	Housing cover	1
33	Hex bolt	3
34	Grub screw	1
35	Spring	1
36	Ball	1

● Recommended spare part

18. Grease and Hydraulic Oil Specification

In general, there is no need to lubricate the actuator because its mechanism is lubricated for life. The standard grease for Rotork scotch yoke actuators are shown below. If an alternative was specified and/or supplied, please refer to the job specific documentation.

18.1 Grease

Lubricate mechanical sliding components of the scotch yoke actuators using the following grease or equivalent for temperature range $-30^{\circ} < T < +100^{\circ} \text{C}$.

Manufacturer:	Dow Corning Corporation
Trade name: Colour:	MOLIKOTE® P40 Clear Brown
Unworked penetration (ISO 2137): Viscosity of oil at 40 °C (104°F) (DIN 51 562):	310-350 mm/10 360 mm ² /s
Service temperature: Drop point (ISO 2176):	-40 to 230 °C (-40 to 446 °F) None
Four ball tester Weld load (Din 51 350 pt.4) Wear scar under 800N load (Din 51 350 pt.5)	3000 N 0.94 mm
Coefficient of friction ^[1] Screw test - μ thread Screw test - μ head	0.16 0.08

1. Coefficient of friction in bolted connection, M12x1.75, 8.8, on blackened surface.

Lubricate mechanical sliding components of the scotch yoke actuators using the following grease or equivalent for temperature range $-60^{\circ} < T < +100^{\circ} \text{C}$.

Manufacturer:	Mobil
Trade name:	MOBILTHEMP® SHC100TM
NLGI grade:	2
Colour:	Clear brown
Penetration, density, viscosity Worked penetration at 25 °C (ASTM D 217): Viscosity of oil at 40 °C (104 °F) (ASTM D445):	280 100 CSt
Temperature Drop point (ASTM D 2265):	>260 °C
Load-carrying capacity, wear protection, service life Four ball tester (ASTM D 2266) Weld load (ASTM D 2596) Corrosion protection (ASTM D6138)	0.4 mm >200 0

18. Grease and Hydraulic Oil Specification

QUANTITY OF GREASE IN HOUSING	
Center body size	Qty (kg)
065	0,3
085	0,3
100	0,3
130	0,4
161	0,5
200/201	0,5
270/271	0,8
350	1,2

Use following grease or equivalent to lubricate the manual override jackscrew and seals of pneumatic cylinders.

Manufacturer:	SHELL
Trade name:	GADUS S5 V25Q
NLGI grade:	2.5
Colour:	Clear Brown
Penetration, density, viscosity Viscosity of oil at 40 °C (ASTM D445): Viscosity of oil at 100 °C (ASTM D445):	25 cST 4.8 cST
Temperature Drop point (IP396):	180 °C

18.2 Hydraulic Oil

This is the standard oil specification for Rotork hydraulic manual override and hydraulic cylinders working at temperature between -20 °C and +100 °C for ATEX and non-ATEX application.

Manufacturer:	MOBIL
Trade Name:	DTE 10 EXCEL 32
ISO Viscosity Grade:	32
Viscosity, ASTM D 445 cSt @ 40 °C cSt @ 100 °C	32.7 6.63
Viscosity Index, ASTM D 2270	164
Brookfield Viscosity ASTM D 2983, cP @ -20°C	1090
Brookfield Viscosity ASTM D 2983 cP @ -30°C	3360
Brookfield Viscosity ASTM D 2983 cP @ -40°C	14240
Tapered Roller Bearing (CEC L-45-A-99), %Viscosity Loss	5
Density 15° C, ASTM D 4052, kg/L	0.8468
Copper Strip Corrosion, ASTM D 130, 3 hrs @ 100 °C	1B
Rust Characteristics, ASTM D 665B	Pass
FZG Gear Test, DIN 51534, Fail Stage	12
Pour Point, °C, ASTM D 97	-54
Flash Point, °C, ASTM D 92	250
Foam Sequence I, II, III, ASTM D 892, ml	20/0
Dielectric Strength, ASTM D877, kV	49
Acute Aquatic Toxicity (LC-50, OECD 203)	Pass

18. Grease and Hydraulic Oil Specification

This is the standard oil specification for Rotork hydraulic manual override and hydraulic cylinders working at temperature between -40 °C and +100 °C for ATEX and non-ATEX application.

Manufacturer:	MOBIL
Trade Name:	DTE 10 EXCEL 15
ISO Viscosity Grade:	15
Viscosity, ASTM D 445 cSt @ 40 °C cSt @ 100 °C	15.8 4.07
Viscosity Index, ASTM D 2270	158
Brookfield Viscosity ASTM D 2983 cP @ -40 °C	2620
Tapered Roller Bearing (CEC L-45-A-99), %Viscosity Loss	5
Density 15 °C, ASTM D 4052, kg/L	0.8375
Copper Strip Corrosion, ASTM D 130, 3 hrs @ 100 °C	1B
Pour Point, °C, ASTM D 97	-54
Flash Point, °C, ASTM D 92	182
Foam Sequence I, II, III, ASTM D 892, ml	20/0
Dielectric Strength, ASTM D877, kV	45
Acute Aquatic Toxicity (LC-50, OECD 203)	Pass

This is the standard oil specification for Rotork hydraulic manual override and hydraulic cylinders working at temperature down to -60 °C for non-ATEX applications.

Manufacturer:	MOBIL
Trade Name:	UNIVIS HVI
ISO Viscosity Grade:	32
Viscosity, ASTM D 445 cSt @ 40 °C cSt @ 100 °C	13.5 5.3
Viscosity Index, ASTM D 2270	404
Kinematic Viscosity @ -40 °C, ASTM D 445	371 cST
Copper Strip Corrosion, ASTM D 130	1A
Pour Point, °C, ASTM D 97	-60 °C
Flash Point, °C, ASTM D 92	101 °C

This is the standard oil specification for Rotork hydraulic manual override and hydraulic cylinders working at temperature between -60 °C and +90° C for ATEX application.

Manufacturer:	TECCEM
Trade Name:	SynTop 1003 FG
ISO Viscosity Grade:	3
Viscosity, ASTM D 445 cSt @ -40 °C cSt @ -55 °C cSt @ 40 °C	73 2.6 3.2
Pour Point, °C, ASTM D 97	-88 °C
Flash Point, °C, ASTM D 92	140 °C
Density 20° C, kg/L	0.86

An alternative oil may have been specified for your application. Please refer to the job specific documentation.

rotork®



www.rotork.com

A full listing of our worldwide sales and service network is available on our website.

Rotork plc
Brassmill Lane, Bath, UK
tel +44 (0)1225 733200
fax +44 (0)1225 333467
email mail@rotork.com

PUB011-004-00
Issue 06/20

All Rotork actuators are manufactured under a third party accredited ISO9001 quality assurance programme. As we are continually developing our products, their design is subject to change without notice.

The name Rotork is a registered trademark. Rotork recognises all registered trademarks. Published and produced in the UK by Rotork. POWJB0620